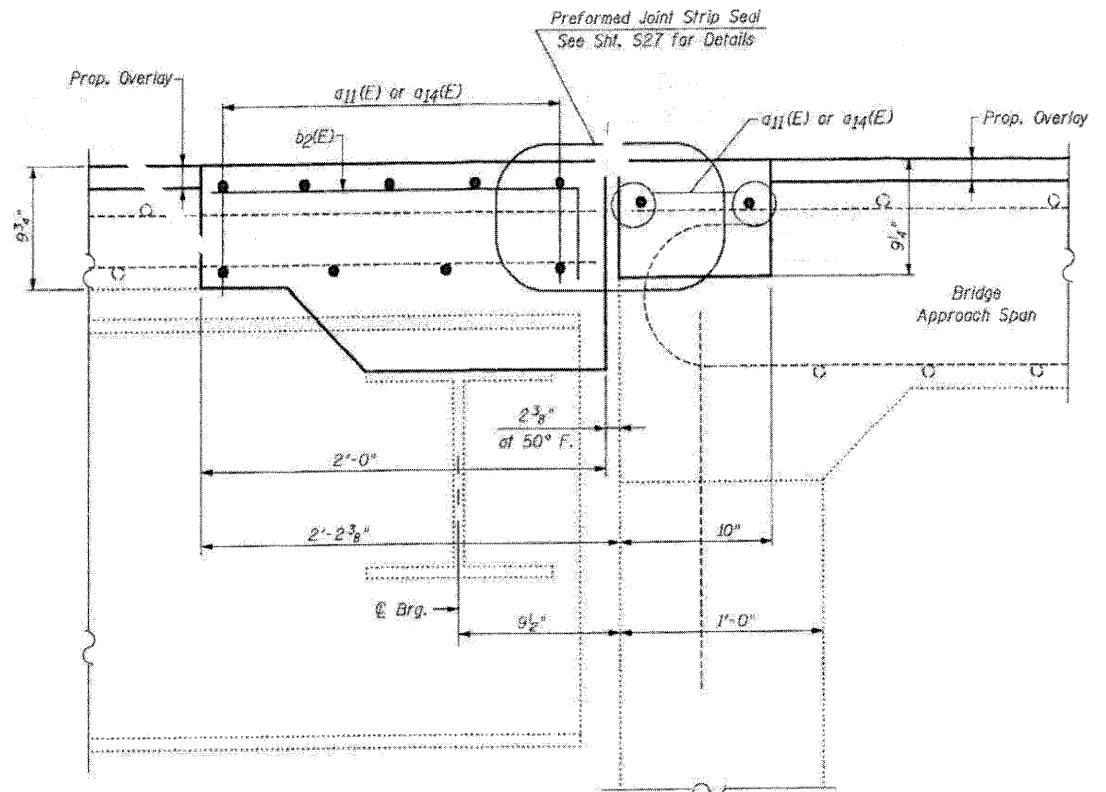


**EXISTING**  
**SECTION B-B**  
**NORTHBOUND ROADWAY-NORTH ABUTMENT**

**LEGEND:**  
 Concrete Removal



**PROPOSED**  
**SECTION B-B**  
**NORTHBOUND ROADWAY-NORTH ABUTMENT**

**NOTE:**  
 For Bar Splicer Assembly Details, See Sht. S26

FILE NAME = 2520244-64E97-12-N-Abut-NB-d.rtd  
 PLOT DATE = 3/29/2010  
 PLOT SCALE = 50.0000' / 1" IN.

**CHRISTIAN-ROGE & ASSOCIATES, INC.**  
 ENGINEERS-PLANNERS-SURVEYORS  
 211 WEST WACKER DRIVE  
 CHICAGO, ILLINOIS 60606  
 PHONE: (312)372-2873 FAX: (312)372-5274

DESIGNED - B.N.S./J.C.N.  
 DRAWN - D.L./F.M.  
 CHECKED - B.N.S./J.C.N.  
 DATE - MARCH, 2010

REVISED -  
 REVISED -  
 REVISED -  
 REVISED -

**STATE OF ILLINOIS**  
**DEPARTMENT OF TRANSPORTATION**

**JOINT RECONSTRUCTION DETAILS AT NORTH ABUTMENT**  
**NORTHBOUND STRUCTURE**  
**I-39 OVER PERRY ROAD**  
**S.N. 052-0045**

SCALE: SHEET NO. S12 OF S28 SHEETS STA. TO STA.

F.A.J. RTE.	SECTION	COUNTY	TOTAL SHEETS	SHEET NO.
39	103-1, 103-2/RS	LEE	313	228
FED. ROAD DIST. NO.			ILLINOIS FED. AID PROJECT	
			CONTRACT NO. 64E97	