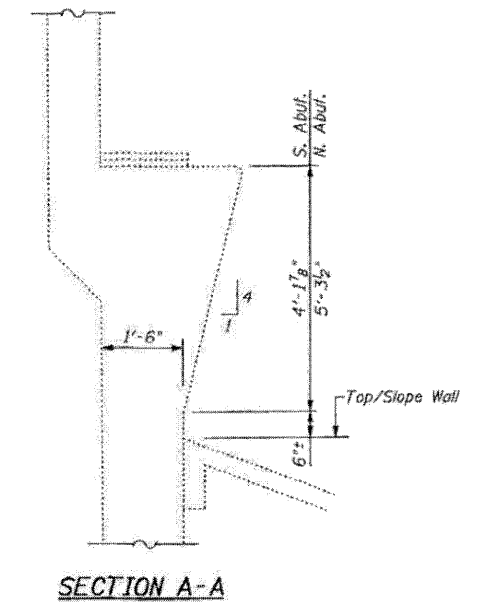


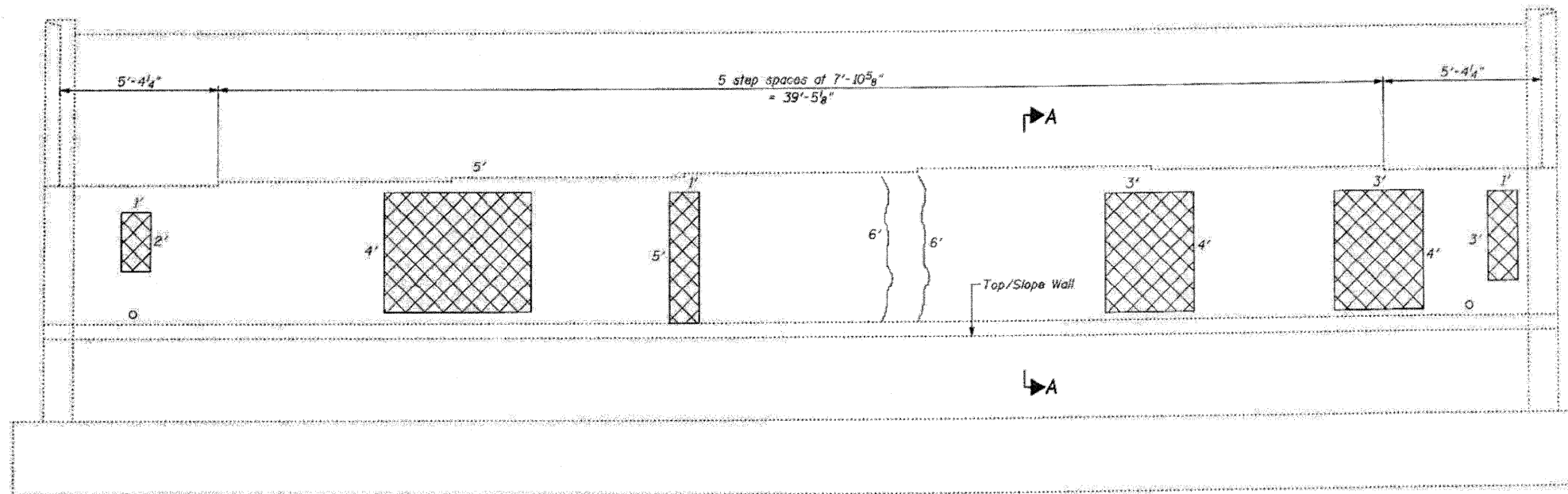
SOUTH ABUTMENT
(Looking South)

LEGEND:

- Structural Repair of Concrete
(Depth Equal to or Less Than 5 Inches)
- Epoxy Crack Injection



SECTION A-A



NORTH ABUTMENT
(Looking North)

TOTAL BILL OF MATERIAL

ITEM	UNIT	QUANTITY
Epoxy Crack Injection	Foot	12
Structural Repair of Concrete (Depth Equal to or Less Than 5 Inches)	Sq. Ft.	82

FILE NAME = 0520044-64E97-16-58-abut-repairs
PLOT DATE = 3/24/2010
PLOT SCALE = 1/8" = 1' / IN.

CHRISTIAN ROGE & ASSOCIATES, INC.
ENGINEERS-PLANNERS-SURVEYORS
211 WEST WACKER DRIVE
CHICAGO, ILLINOIS 60606
PHONE: (312)372-2023 FAX: (312)372-5274

DESIGNED - B.N.S./J.C.N.
DRAWN - D.L./F.M.
CHECKED - B.N.S./J.C.N.
DATE - MARCH, 2010

REVISED -
REVISED -
REVISED -
REVISED -

STATE OF ILLINOIS
DEPARTMENT OF TRANSPORTATION

SOUTH & NORTH ABUTMENT REPAIRS
SOUTHBOUND STRUCTURE
I-39 OVER PERRY ROAD

S.N. 052-0044

SCALE: SHEET NO. 516 OF 528 SHEETS STA. TO STA.

F.A.I. RTE.	SECTION	COUNTY	TOTAL SHEETS	SHEET NO.
39	(103-1, 103-2)RS	LEE	313	232
FED. ROAD DIST. NO. (ILLINOIS) FED. AID PROJECT			CONTRACT NO. 64E97	