

# REMOVE AND REERECT STEEL PLATE BEAM GUARDRAIL

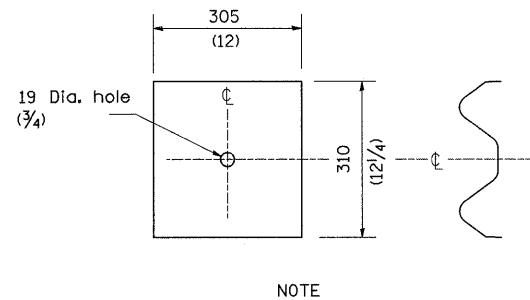
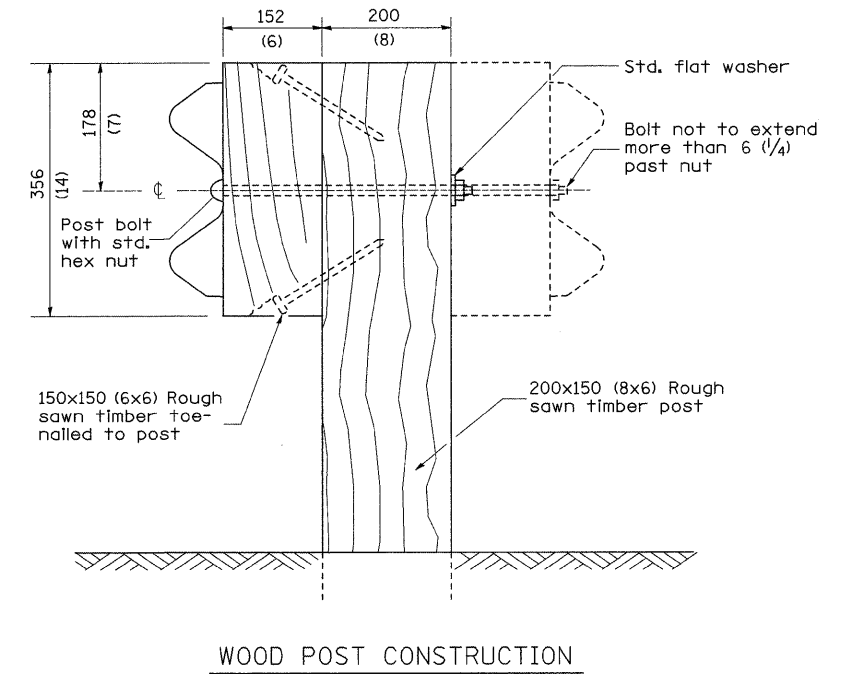
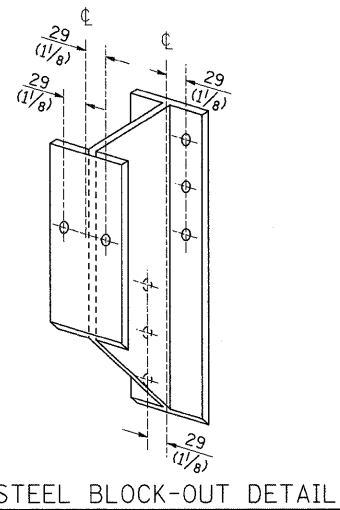
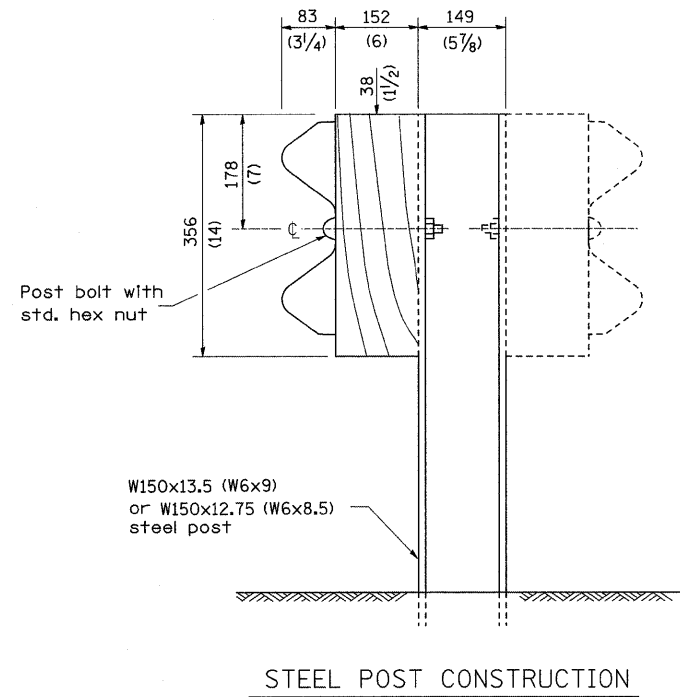
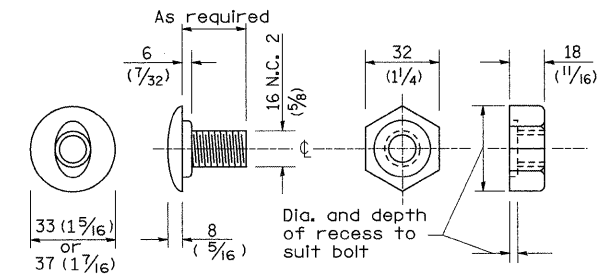


Plate A shall be placed between rail element and block-out at non-splice mounting points only when steel block-outs are used.

PLATE A



FILE NAME =	USER NAME = dossed	DESIGNED -	REVISED - 1-15-08	<b>STATE OF ILLINOIS DEPARTMENT OF TRANSPORTATION</b>	<b>REGION 2 / DISTRICT 2 STANDARD</b>			F.A.I. RTE.	SECTION	COUNTY	TOTAL SHEETS	SHEET NO.
ca:\pwork\pwidot\DOSSDD\0149531\0205609-shr-cover.dgn	PLOT SCALE = 50.0000' / IN.	DRAWN -	REVISED -					39	(103-1, 103-2)RS	LEE	313	259
PLOT DATE = Fri Mar 26 07:26:55 2010	DATE -	CHECKED -	REVISED -					SCALE: SHEET NO. OF SHEETS STA. TO STA.			FED. ROAD DIST. NO. ILLINOIS FED. AID PROJECT	
		DATE -	REVISED -					CONTRACT NO. 64E97				