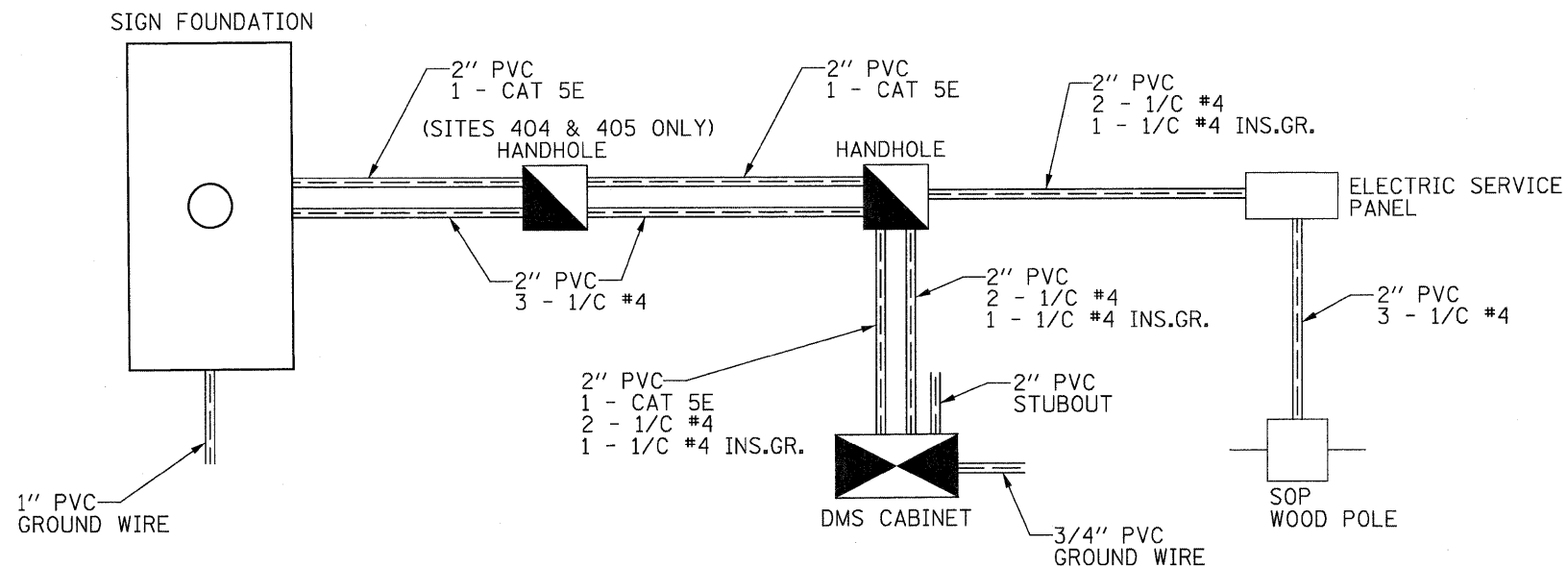


STATE OF ILLINOIS
DEPARTMENT OF TRANSPORTATION



SITE INSTALLATION NOTES

1. THE IOWA DOT WILL FURNISH THE DMS CABINET TO BE INSTALLED BY THE CONTRACTOR.
2. THE DMS CABINET FOOTING SHALL BE LOCATED WITHIN 25 FEET OF THE HANDHOLE AND ORIENTED IN THE SAME DIRECTION AS THE DMS. IN LOCATIONS WITH A DITCH, THE FOOTING SHALL NOT BE LOCATED WITHIN THE DITCH BOTTOM, BUT SHOULD BE LOCATED BEYOND THE TOP OF THE BACKSLOPE, IF POSSIBLE. THE ENGINEER SHALL APPROVE THE LOCATION AND ORIENTATION PRIOR TO PLACEMENT OF THE FOOTING.
3. MARK THE LOCATIONS OF ALL CONDUIT ENTERING THE SIGN SUPPORT STRUCTURE FOOTING AND THE DMS CABINET FOOTING. LOCATE MARKS ON THE SIDE THE CONDUIT ENTERS, NEAR THE TOP, TO ENSURE VISIBILITY AFTER BACKFILLING AND SHAPING.



George M. Stuenkel
3/8/10

DESIGNED - S. POSKA	2010
CHECKED - G. STUENKEL	EXAMINED
DRAWN - M. BRESSLER	PASSED
CHECKED - G. STUENKEL	ENGINEER OF BRIDGES AND STRUCTURES

SITE INSTALLATION
DETAILS FOR ROADSIDE
DYNAMIC MESSAGE SIGN

SHEET NO.	F.A. RTE.	SECTION	COUNTY	TOTAL SHEETS	SHEET NO.
4	74+280	D2.IT MESSAGE SIGN	ROCK ISLAND	23	4
CONTRACT NO. 64F86					
ILLINOIS FED. AID PROJECT C92-061-10					