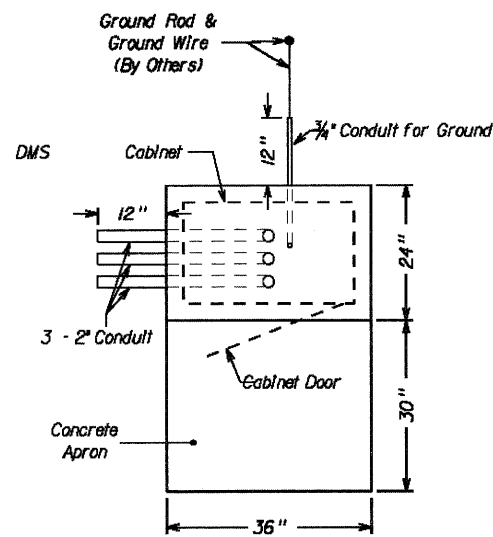
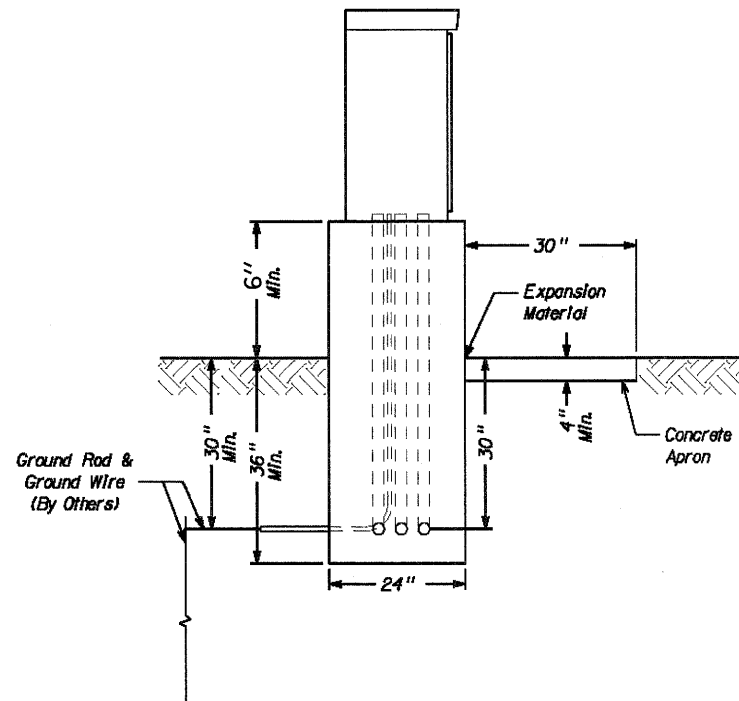


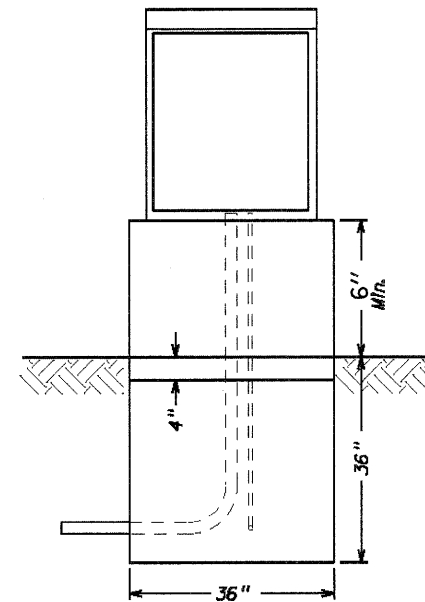
STATE OF ILLINOIS
DEPARTMENT OF TRANSPORTATION



Top View



Side View



Front View

CENTER DMS CABINET ON FOOTING AND ATTACH WITH PULL OUT ANCHORS.

CENTER CONDUITS IN THE FOOTING. PRIOR TO POURING THE FOOTING, CONFIRM THAT NO CONFLICTS EXIST BETWEEN THE CONDUIT PLACEMENT AND THE DMS CABINET. MAINTAIN AT LEAST 2" OF CLEARANCE TO THE EDGE OF THE DMS CABINET.

CAP ALL OPEN ENDS OF CONDUIT BEFORE BACKFILLING. FOR FUTURE REFERENCE, MARK THE LOCATIONS OF ALL CONDUIT ENTERING THE FOOTING ON THE SIDE WHICH THE CONDUIT ENTERS. LOCATE MARKS NEAR THE TOP OF THE FOUNDATION TO ENSURE THEY REMAIN VISIBLE AFTER BACKFILLING AND SHAPING.

INSTALL SOCKET TYPE BELL ENDS ON CONDUIT PROTRUDING FROM THE FOOTING. FINISHED CONDUIT (INCLUDING BELL END) IS TO PROTRUDE 5 TO 6 INCHES FROM THE TOP OF FOOTING.

USE CLASS C STRUCTURAL CONCRETE FOR THE FOOTING. MEET THE REQUIREMENTS OF SECTION 503.07 FOR PLACEMENT OF THE CONCRETE. THE TOP OF THE FOOTING IS TO BE LEVEL, AND THE TOP OF EDGES ROUNDED WITH AN EDGER.

PROVIDE FORMS OF SUFFICIENT STRENGTH TO PREVENT WARPING, BULGING, OR OTHER DEFLECTIONS. REFER TO SECTION 503.06 E FOR ADDITIONAL REQUIREMENTS.

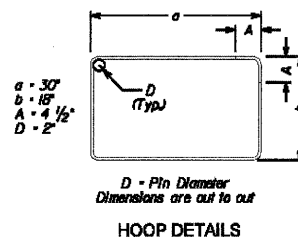
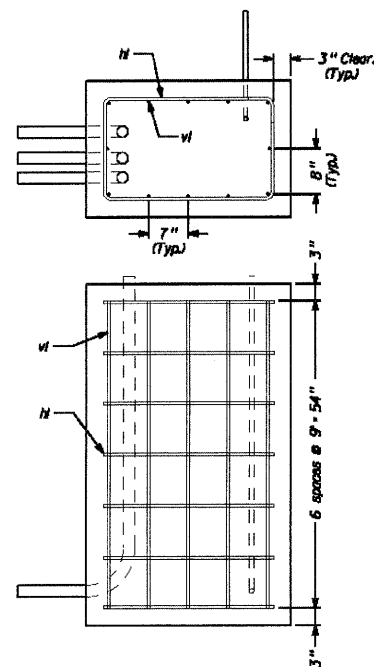
EPOXY COATED REINFORCEMENT TO MEET THE REQUIREMENTS OF SECTION 508.

CONDUIT TO MEET THE REQUIREMENTS OF SECTION 1088.

EXCAVATION, BACKFILLING, AND SITE RESTORATION TO MEET THE REQUIREMENTS OF SECTIONS 202, 208, AND 104.06, RESPECTIVELY.

THIS WORK WILL BE PAID AS 87800500, CONCRETE FOUNDATION, SPECIAL.

CONDUITS ENCASED WITHIN THE FOUNDATION SHALL BE INCLUDED IN THE COST OF THE FOUNDATION.



Reinforcing Details

DESIGNED - S. POSKA	2010
CHECKED - G. STUEMPFIG	EXAMINED
DRAWN - M. BRESSLER	PASSED
CHECKED - G. STUEMPFIG	

ENGINEER OF BRIDGE DESIGN
ENGINEER OF BRIDGES AND STRUCTURES

EPOXY COATED REINFORCEMENT QUANTITIES				
per footing				
BAR	QTY	SIZE	LENGTH	WEIGHT
v1	12	#4	54	38.1
h1	7	#4	105	40.9
Total Weight				77.0

CONCRETE QUANTITIES	
per footing location	
Footing	1.11 cu yd
Pad	0.08 cu yd



George M. Stuempfig
3/8/10

DMS CABINET
FOOTING DETAILS

SHEET NO. 6 SHEETS 23	F.A. RTE. 74+280	SECTION D2-IT-MESSAGE SIGN	COUNTY ROCK ISLAND	TOTAL SHEETS 23	SHEET NO. 6
	CONTRACT NO. 64F86			ILLINOIS FED. AID PROJECT C-92-061-10	