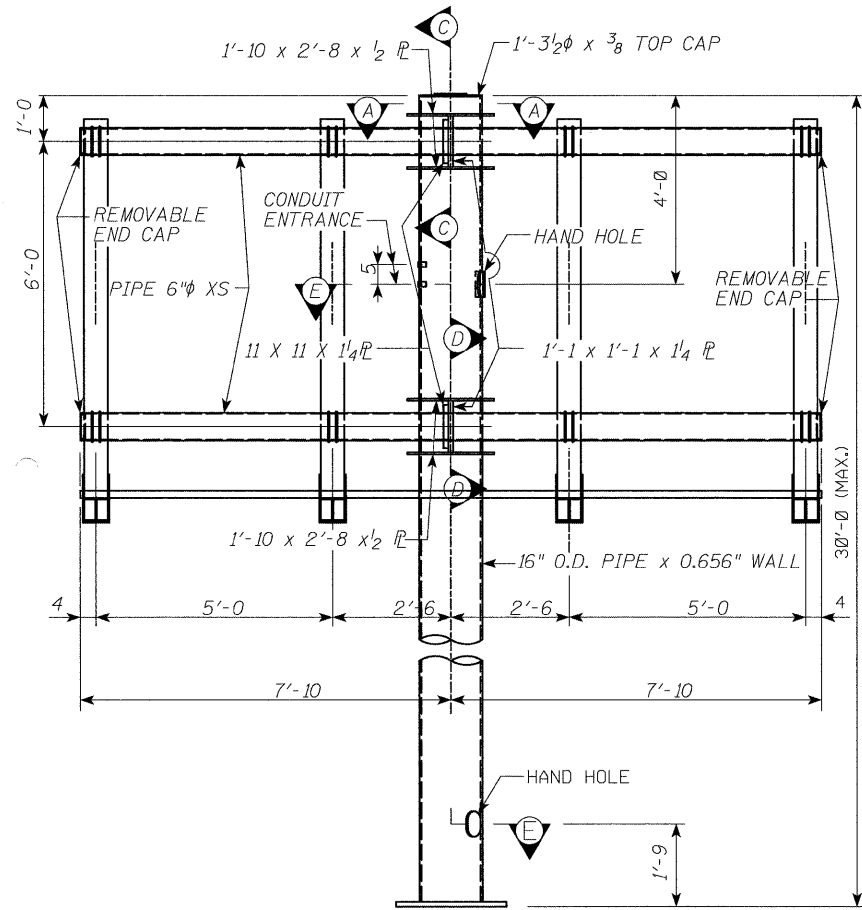
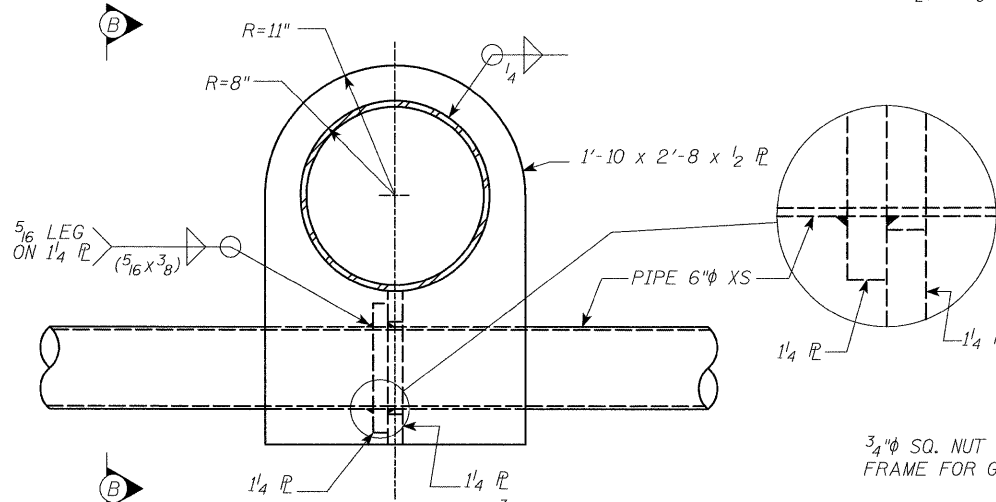


STATE OF ILLINOIS
DEPARTMENT OF TRANSPORTATION

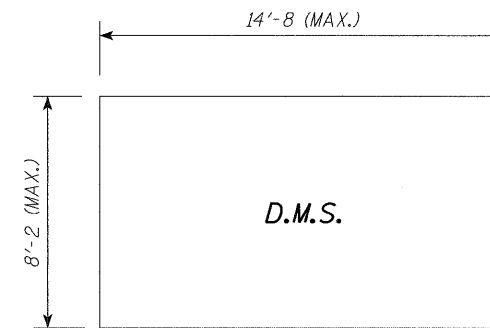


ELEVATION

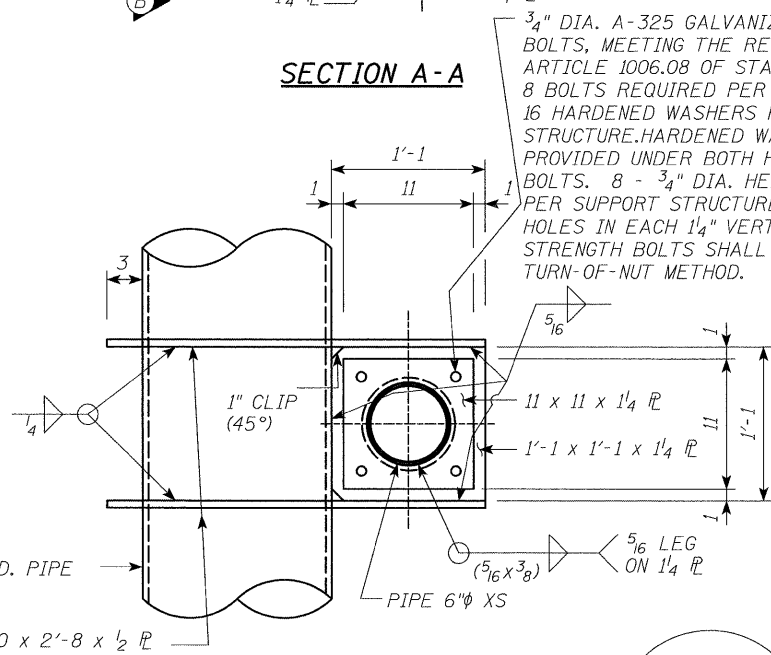


SECTION A-A

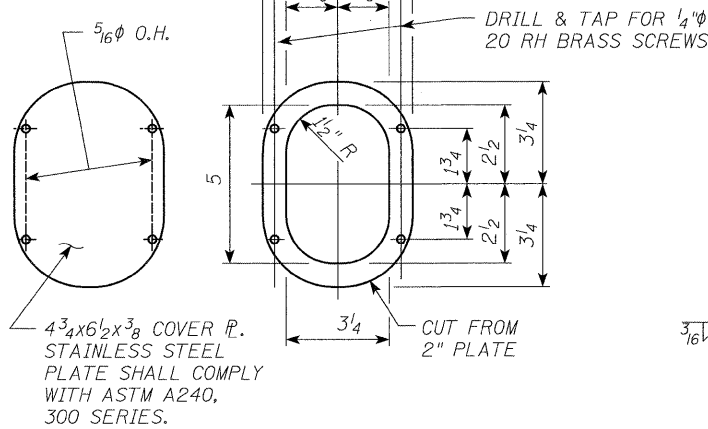
COVER PLATE DETAIL



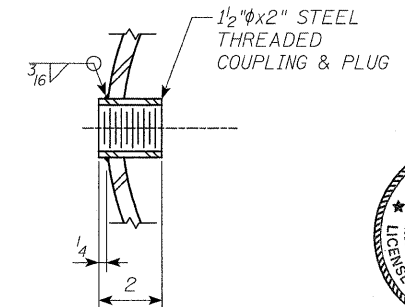
D.M.S. LIMITS FOR SIGN
SUPPORT DESIGN.
1700 LBS. MAX.
1'-4 MAX. DEPTH



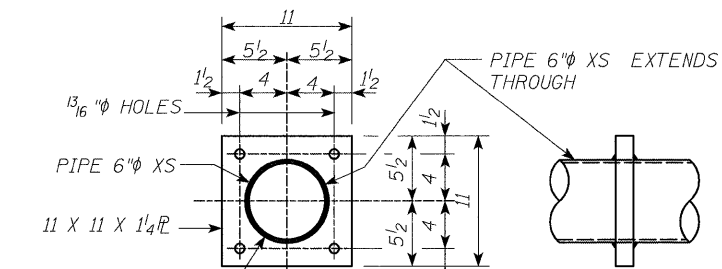
SECTION B-B



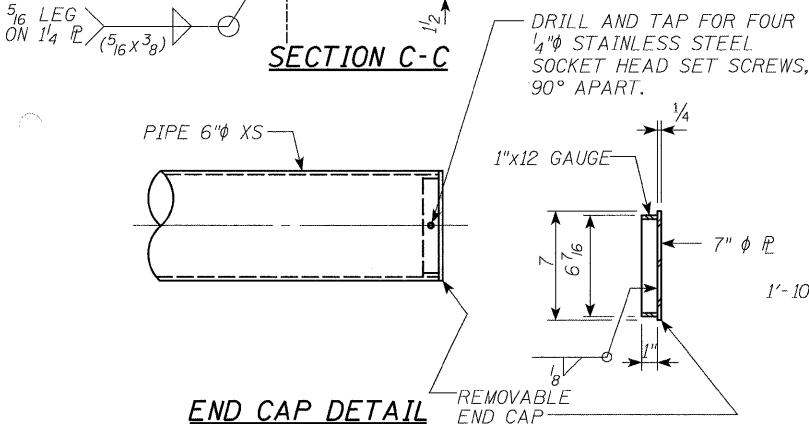
DETAIL "B"



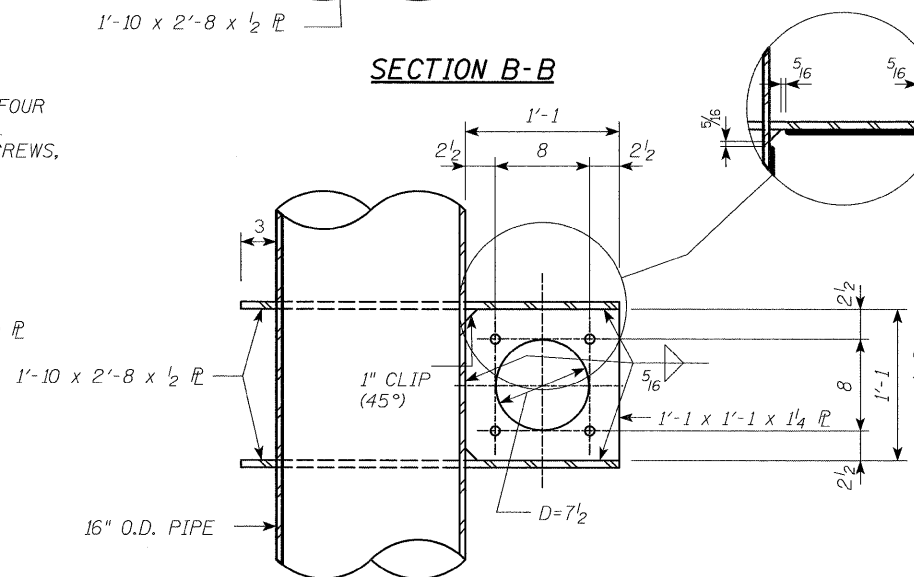
DETAIL "C"



SECTION C-C

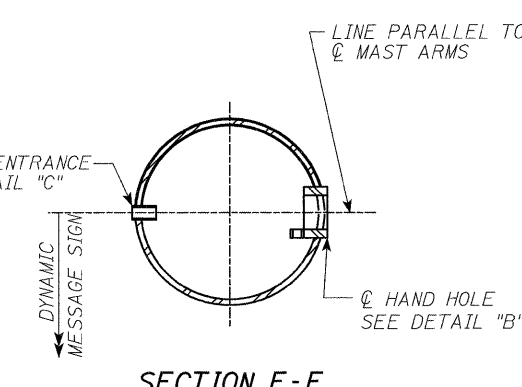


END CAP DETAIL



SECTION D-D

(PIPE 6" XS NOT SHOWN)



SECTION E-E

DESIGNED	MBC
CHECKED	KLK
DRAWN	FJD
CHECKED	KLK

EXAMINED	200
PASSED	ENGINEER OF BRIDGE DESIGN
	ENGINEER OF BRIDGES AND STRUCTURES

SHEET NO. 17 SHEETS 23	F.A. RTE. 74+280	SECTION D2.IT MESSAGE SIGN	COUNTY ROCK ISLAND	TOTAL SHEETS 23	SHEET NO. 17
	CONTRACT NO. 64F86			ILLINOIS FED. AID PROJECT C-92-061-10	



Mehmet B. Civelek
03-10-2010

**STEEL ROADSIDE D.M.S.
SUPPORT
SIGN SUPPORT DETAILS**