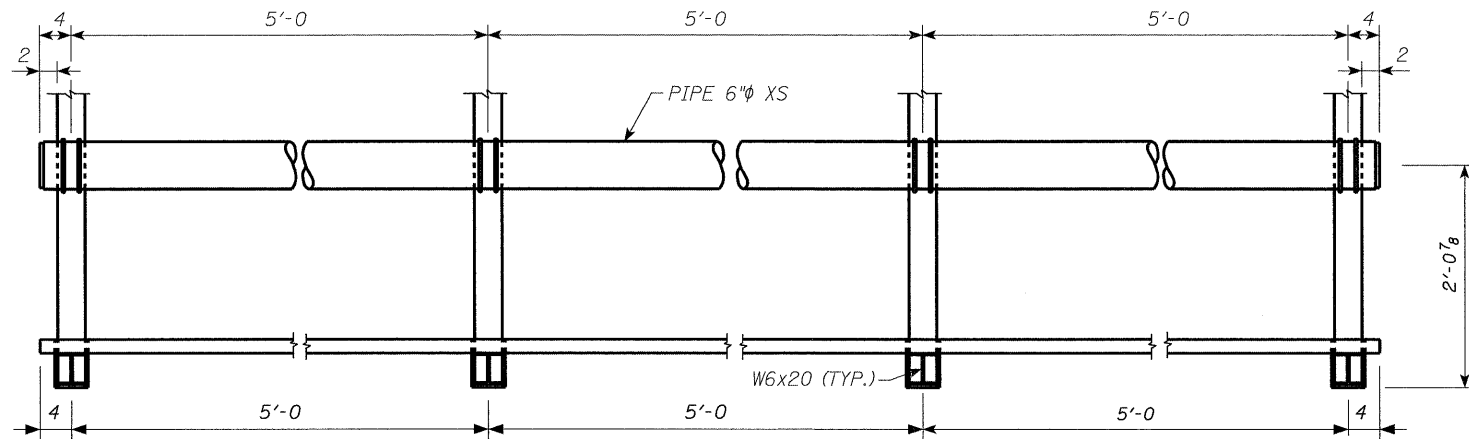
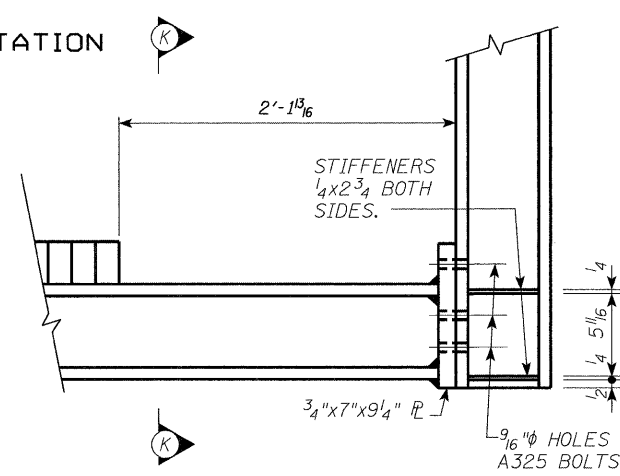


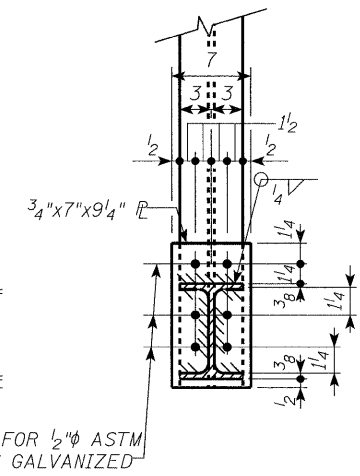
STATE OF ILLINOIS
DEPARTMENT OF TRANSPORTATION



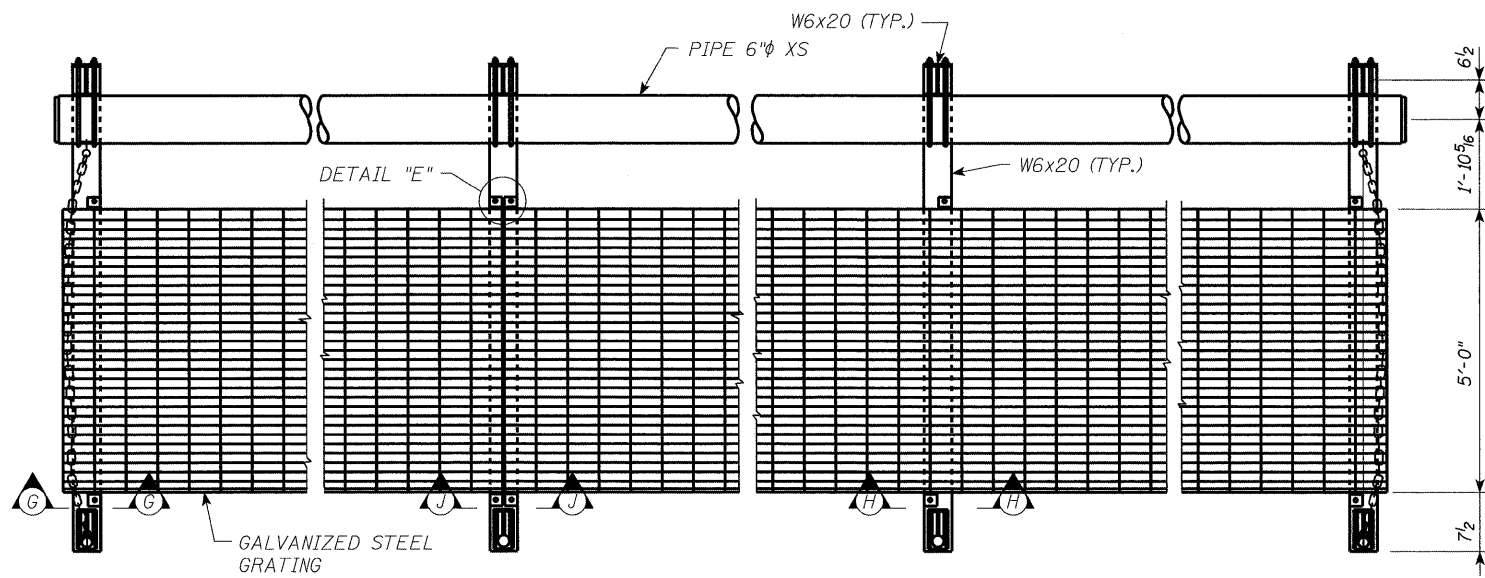
PART ELEVATION (HANDRAIL NOT SHOWN)



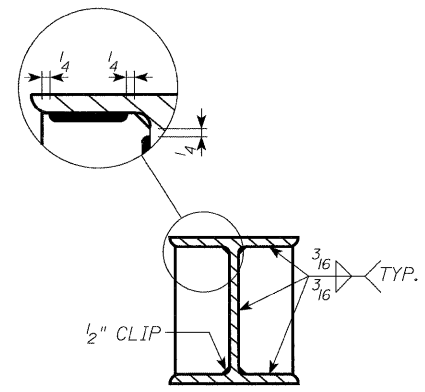
DETAIL "F"



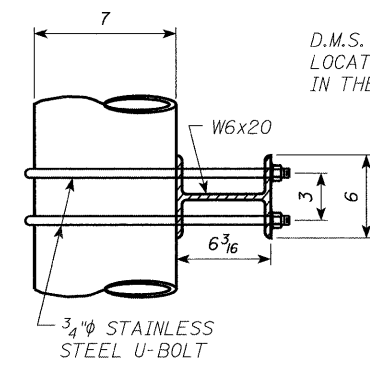
SECTION K-K



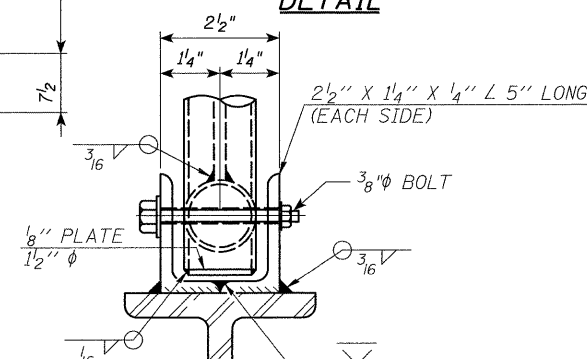
PART PLAN



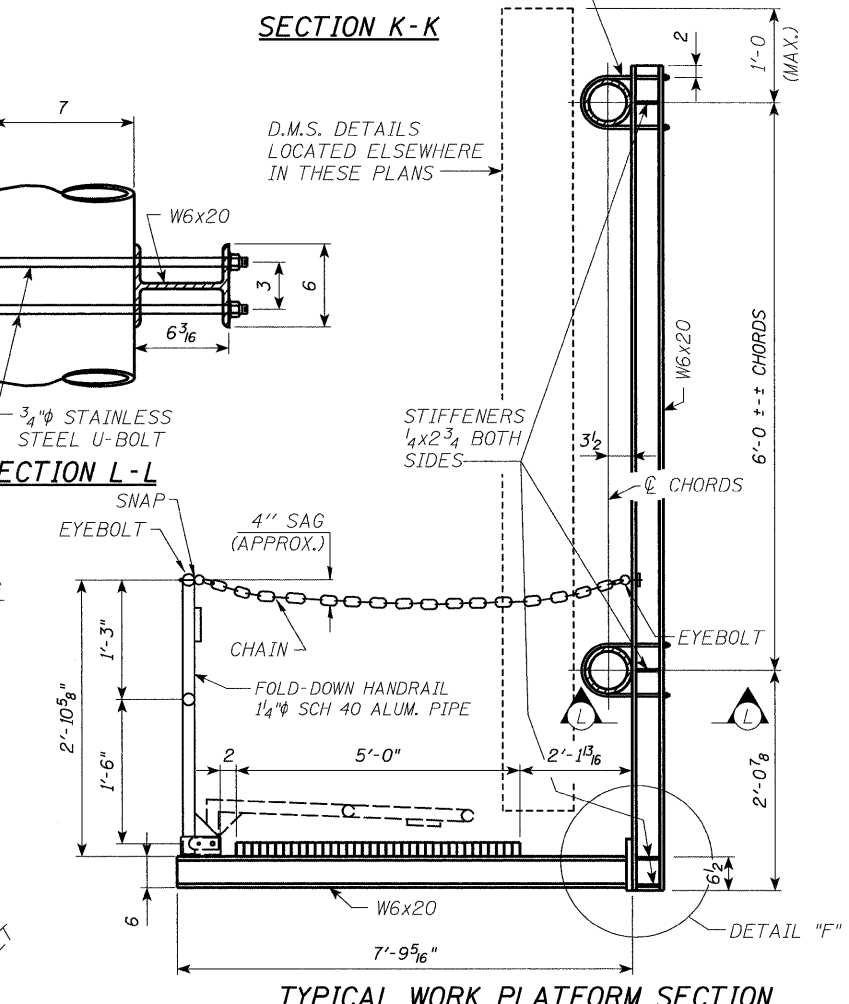
TYPICAL STIFFENER DETAIL



SECTION L-L



HANDRAIL HINGE DETAIL

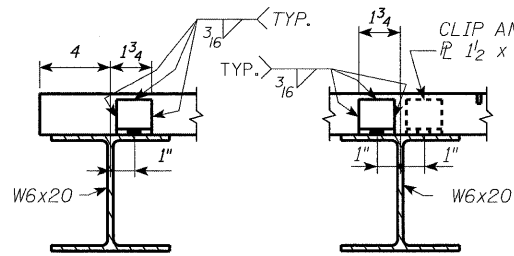


TYPICAL WORK PLATFORM SECTION



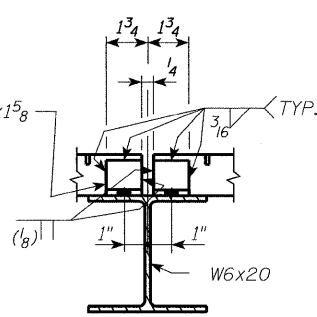
03-10-2010

Mehmet B. Civelek

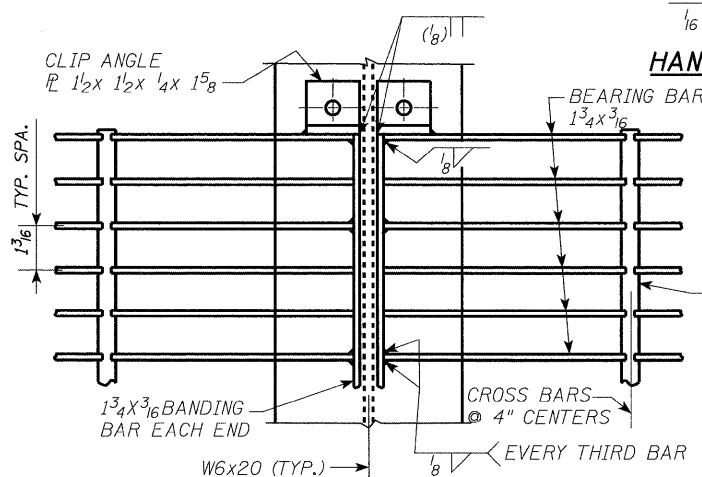


SECTION G-G

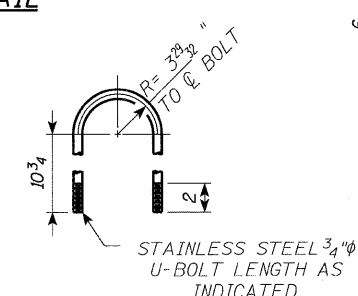
SECTION H-H



SECTION J-J



DETAIL "E"



STAINLESS STEEL U-BOLT DETAIL

- NOTES:
1. 7/16" HOLE IN CLIP ANGLE AND 7/16" HOLE IN W6x20 FOR 3/8" STAINLESS STEEL BOLT. ADJUST CLIP SO GRATING BEARS ON BEAM.
 2. HANDRAIL SHALL BE ASTM B241 OR B249, ALLOY 6063-T6 OR ALLOY 6061-T6.

DESIGNED	MBC
CHECKED	KLG
DRAWN	FJD
CHECKED	KLG

EXAMINED	200
PASSED	ENGINEER OF BRIDGE DESIGN
	ENGINEER OF BRIDGES AND STRUCTURES

STEEL ROADSIDE D.M.S. SUPPORT WORK PLATFORM DETAILS				
F.A. RTE.	SECTION	COUNTY	TOTAL SHEETS	SHEET NO.
74+280	D2.IT MESSAGE SIGN	ROCK ISLAND	23	18
CONTRACT NO. 64F86				
ILLINOIS FED. AID PROJECT C-92-061-10				

SHEET NO. 18
SHEETS 23