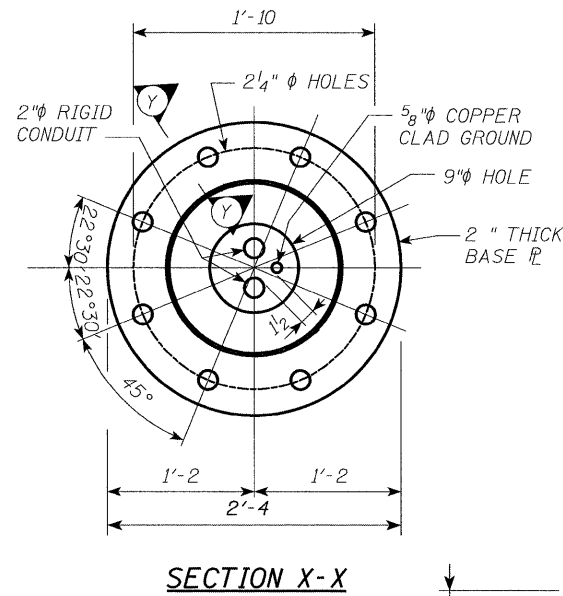
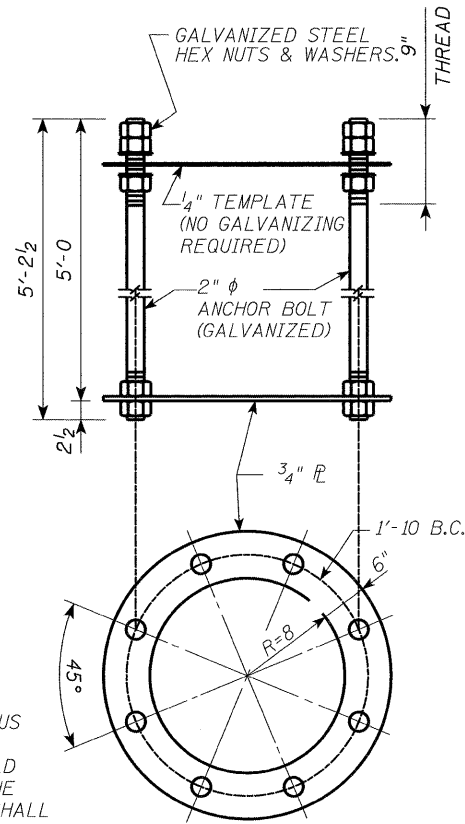


STATE OF ILLINOIS
DEPARTMENT OF TRANSPORTATION

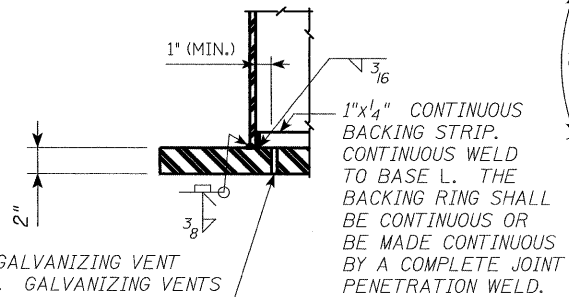


SECTION X-X



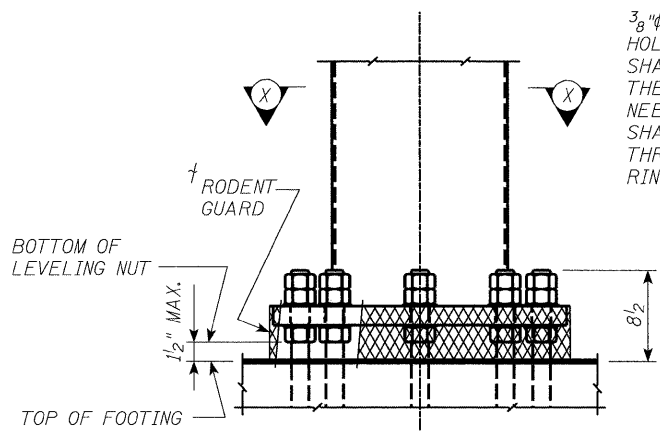
ANCHOR BOLT ASSEMBLY

(ALL ANCHOR BOLT MATERIAL SHALL COMPLY WITH THE REQUIREMENTS OF ARTICLE 1006.03 OF IDOT STANDARD SPECIFICATIONS)

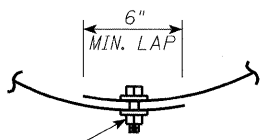


SECTION Y-Y

3/8" GALVANIZING VENT HOLE. GALVANIZING VENTS SHALL BE LOCATED IN THE BASE PLATE IF NEEDED. NO VENT HOLE SHALL BE DRILLED THROUGH THE BACKING RING OR HSS 16x2.



POST BASE DETAIL



RODENT GUARD CLOSURE DETAIL

† A RODENT GUARD SHALL BE PLACED BETWEEN THE CONCRETE FOOTING AND THE BASE PLATE, SEE ARTICLE 733.07 OF IDOT STANDARD SPECIFICATIONS.

AS AN ALTERNATE STAINLESS STEEL STANDARD GRADE WIRE CLOTH, 1/4" MAXIMUM OPENING WITH A MINIMUM WIRE DIAMETER OF AWG. NO. 16 WITH A MINIMUM 2" LAP. SECURE TO BASE PLATE AFTER ERECTION WITH 3/4" STAINLESS STEEL BANDING.



Mehmet B. Civelek
03-10-2010

DESIGNED <i>MBC</i>	200
CHECKED <i>KLG</i>	EXAMINED
DRAWN <i>FJD</i>	ENGINEER OF BRIDGE DESIGN
CHECKED <i>KLG</i>	PASSED
	ENGINEER OF BRIDGES AND STRUCTURES

STEEL ROADSIDE D.M.S. SUPPORT SIGN SUPPORT DETAILS					
SHEET NO. 19 SHEETS 23	F.A. RTE. 74+280	SECTION D2.IT MESSAGE SIGN	COUNTY ROCK ISLAND	TOTAL SHEETS 23	SHEET NO. 19
CONTRACT NO. 64F86					
ILLINOIS FED. AID PROJECT C-92-061-10					