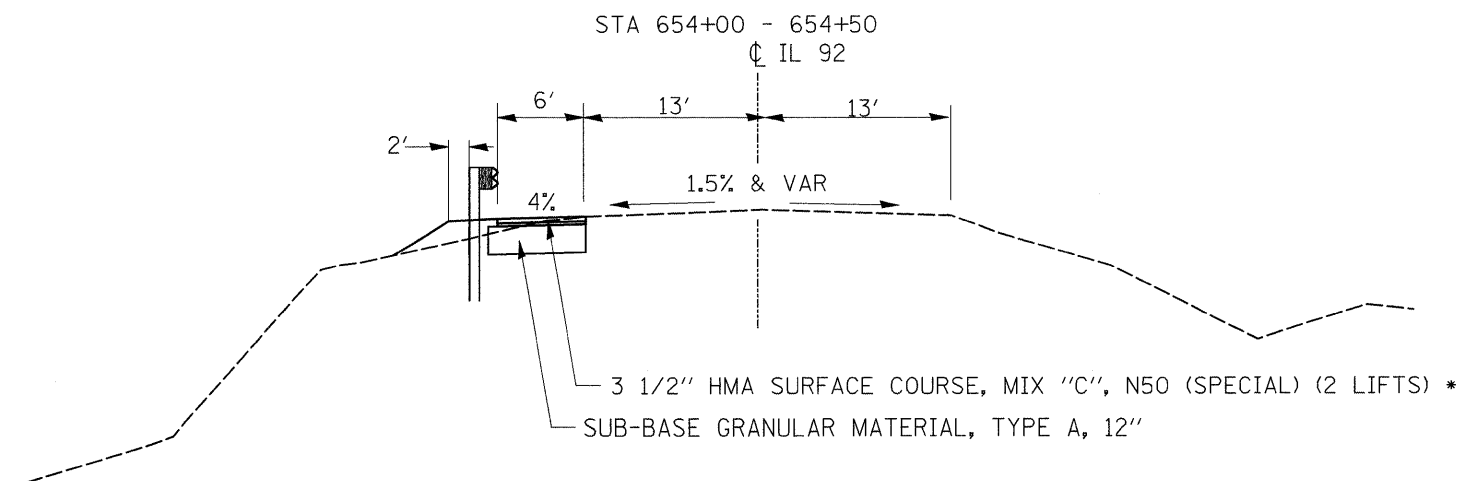
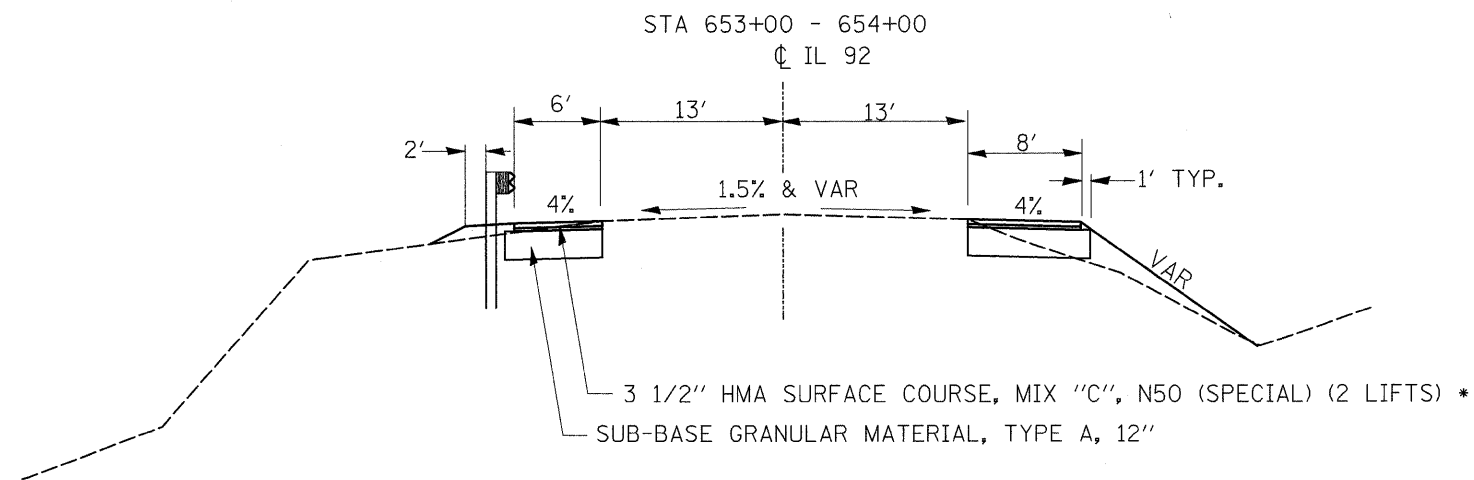
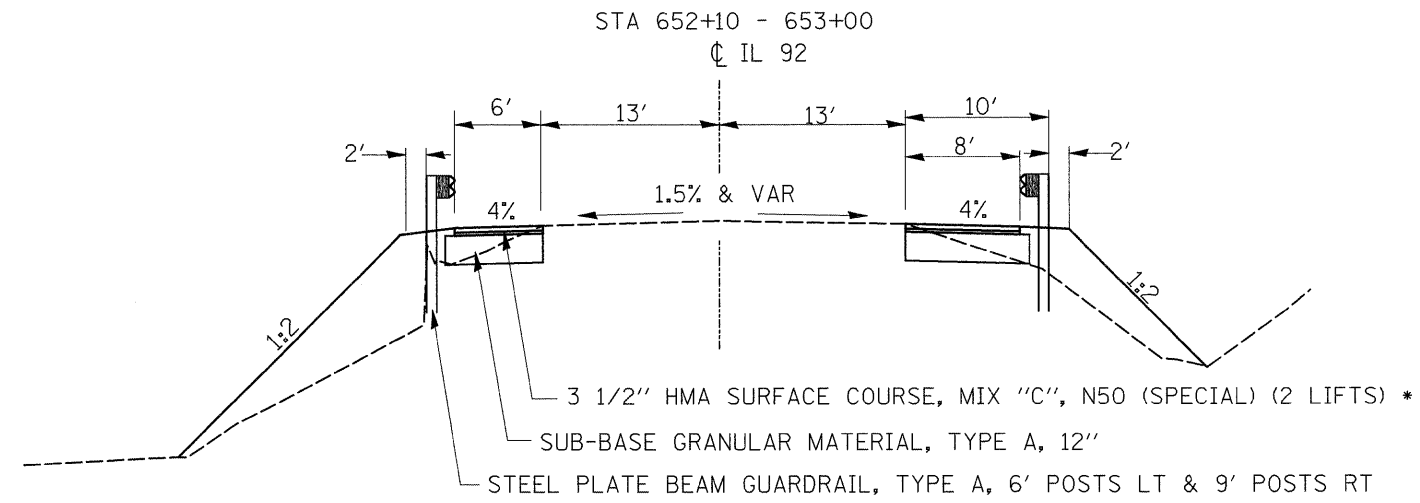


# TYPICAL SECTION



\* 112 LB /SQ YD/ IN

FILE NAME =	USER NAME = grantpm	DESIGNED -	REVISED -	<b>STATE OF ILLINOIS DEPARTMENT OF TRANSPORTATION</b>	<b>TYPICAL SECTIONS</b>				F.A.P. RTE.	SECTION	COUNTY	TOTAL SHEETS	SHEET NO.		
cs:\pw\work\p1dot\grantpm\dms36948\0284	126-shr-tyd.dgn	DRAWN -	REVISED -		SCALE:	SHEET NO.	OF	SHEETS	STA.	TO STA.	585	128T-1	HENRY	35	8
	PLOT SCALE = 50.0000' / IN.	CHECKED -	REVISED -		CONTRACT NO. 64G18										
	PLOT DATE = Thu Mar 18 11:39:36 2010	DATE -	REVISED -		ILLINOIS FED. AID PROJECT										