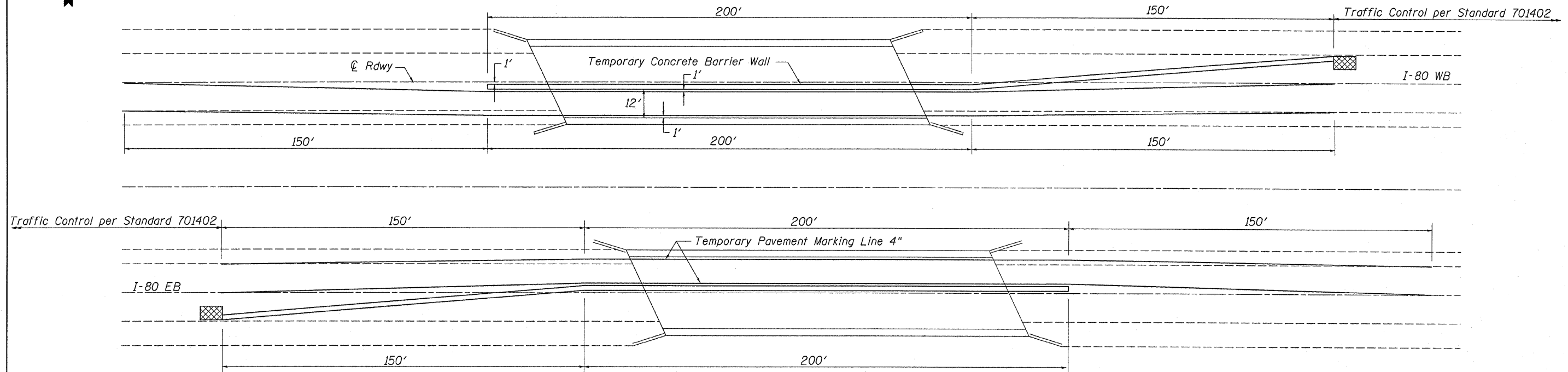




TRAFFIC CONTROL PLAN

STAGE I

Refer to Standard 701402 for additional signs, details & devices



| <u>Temporary Concrete Barrier</u> | | <u>Temporary Pavement Marking Line 4"</u> | | <u>Pavement Marking Removal</u> | |
|--------------------------------------|----------|---|-----------|---------------------------------|-------|
| | Feet | | Foot | | Sq Ft |
| <u>Stage I Eastbound</u> | | <u>Stage I</u> | | <u>Stage I Edgeline</u> | |
| | 350 | <u>Westbound (701402)</u> | | | 200 |
| <u>Stage I Westbound</u> | | <u>Shift</u> | | <u>Stage II Edgeline</u> | |
| | 350 | | 150 | | 200 |
| <u>Total</u> | | | 200 | <u>400 Sq Ft</u> | |
| | 700 Feet | | 150 | | |
| | | | 200 | | |
| <u>Impact Attenuators, Temporary</u> | | <u>Stage II</u> | | | |
| | Each | <u>Eastbound (701402)</u> | | | |
| <u>Stage I Eastbound</u> | | | 2700 | | |
| | 1 | <u>Shift</u> | | | |
| <u>Stage I Westbound</u> | | | 150 | | |
| | 1 | | 200 | | |
| <u>Total</u> | | | 150 | | |
| | 2 Each | | 200 | | |
| | | | 150 | | |
| | | | 7400 Foot | | |

| | | | | | | | | | | | | |
|---|--------------------------------------|------------|-----------|---|---|-------------------------------|--------------------------|---------------------------|---------|--------|-----------------|--------------|
| FILE NAME = | USER NAME = linkdj | DESIGNED - | REVISED - | STATE OF ILLINOIS DEPARTMENT OF TRANSPORTATION | Traffic Control Plan Stage I | | | F.A.I. RTE. | SECTION | COUNTY | TOTAL SHEETS | SHEET NO. |
| G:\BR\CAADO plans\Henry County\037-0107 | 0108\PLANeng.dgn | DRAWN - | REVISED - | | 80 | (37-28-21M) | Henry | 11 | 4 | | | |
| | PLOT SCALE = 50.0000' / IN. | CHECKED - | REVISED - | | CONTRACT NO. 64G23 | | | ILLINOIS FED. AID PROJECT | | | | |
| | PLOT DATE = Thu Mar 25 06:59:55 2010 | DATE - | REVISED - | | SCALE: _____ | SHEET NO. ____ OF ____ SHEETS | STA. _____ TO STA. _____ | | | | | |