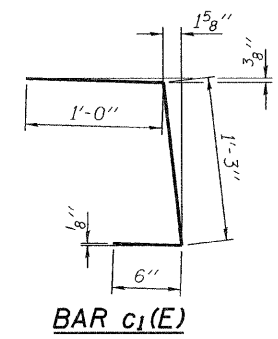
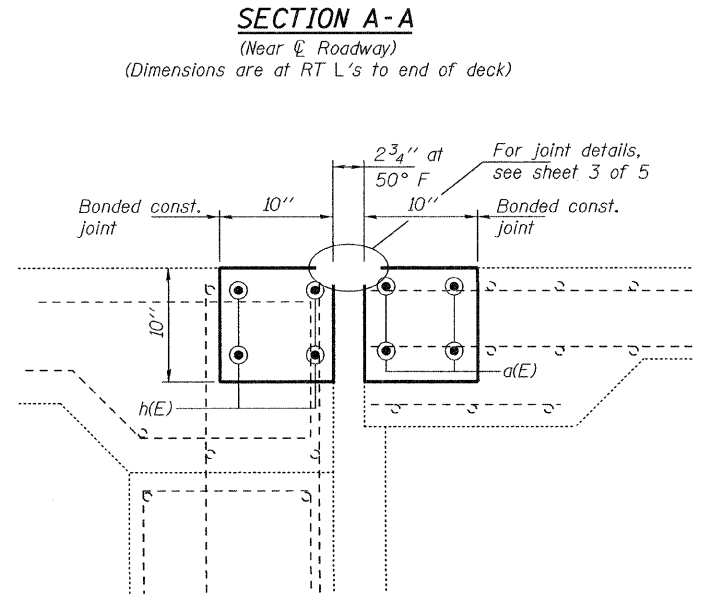
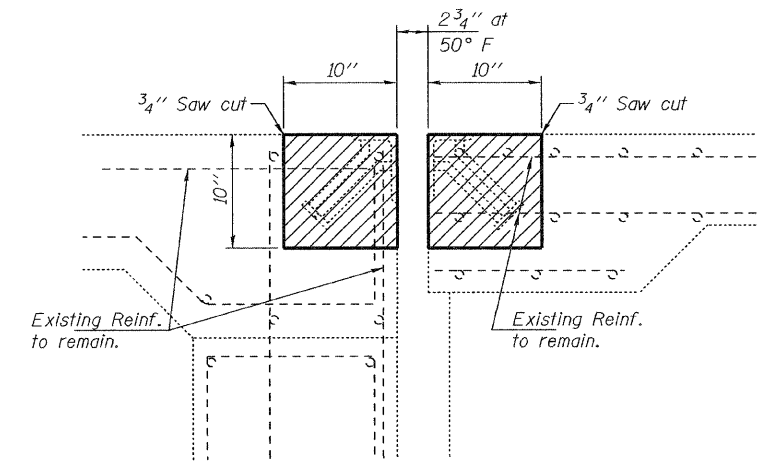
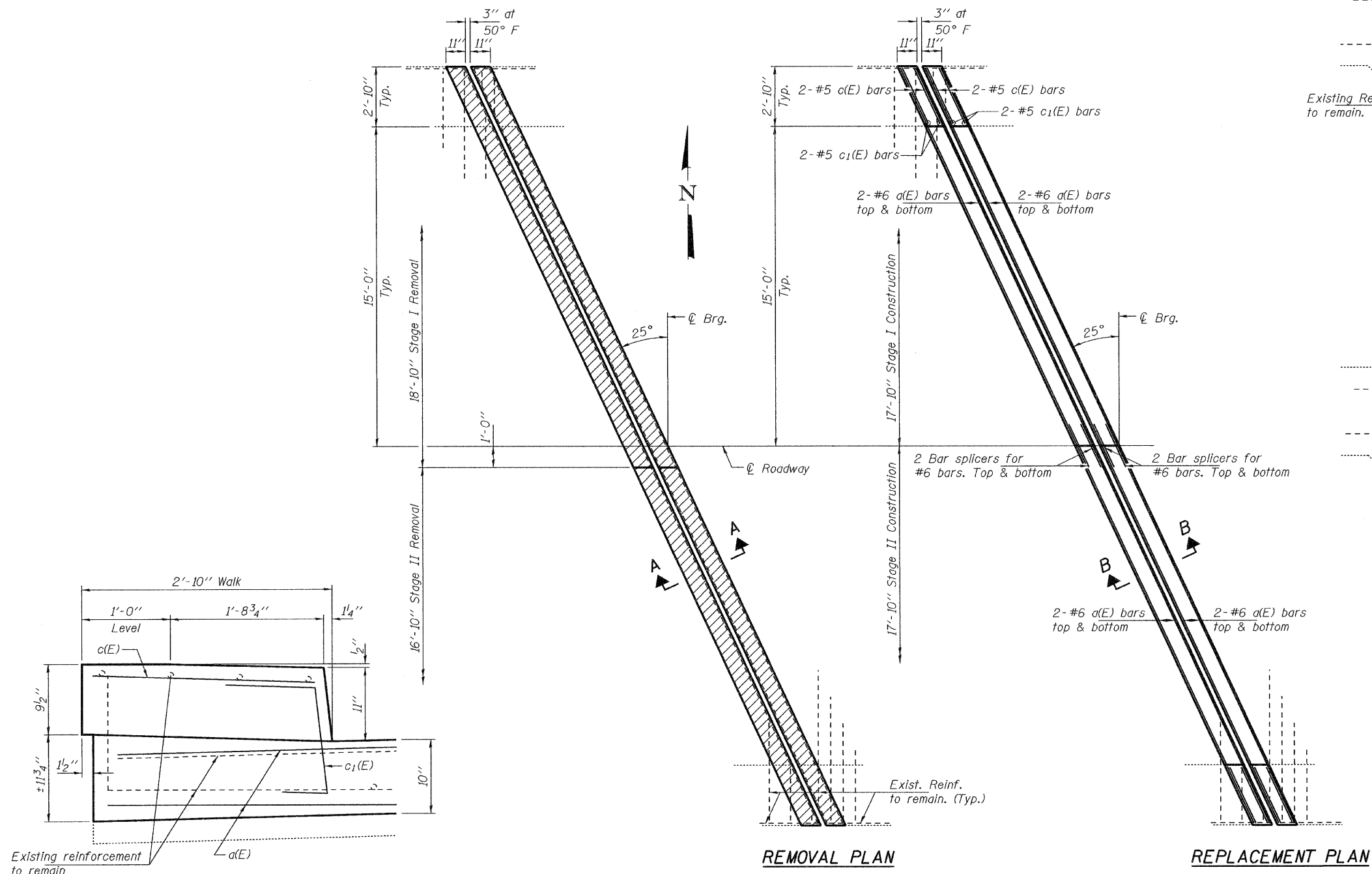


STATE OF ILLINOIS
DEPARTMENT OF TRANSPORTATION



BILL OF MATERIAL

Bar	No.	Size	Length	Shape
a(E)	64	#6	19'-4"	—
c(E)	32	#5	2'-8"	—
c1(E)	32	#5	2'-9"	⌋
Concrete Removal			Cu. Yd.	11.0
Concrete Superstructure			Cu. Yd.	11.0
Reinforcement Bars, Epoxy Coated			Pound	2040

REPAIR DETAILS
FAI 80 OVER MINERAL CREEK,
SN 037-0107 (EB) & 0108 (WB)

DESIGNED	IJL	APRIL 27, 2010
CHECKED	ATH	EXAMINED <i>Carl P. ...</i>
DRAWN	baliva	PASSED <i>Ralph E. Anderson</i>
CHECKED	IJL ATH	ENGINEER OF BRIDGES AND STRUCTURES

Notes:
West abutment shown.
East abutment similar by rotation.
Hatched areas indicate removal.

SHEET NO. 2	F.A.I. RTE. 80	SECTION (37-2B-2)M	COUNTY HENRY	TOTAL SHEETS 11	SHEET NO. 7
5 SHEETS			CONTRACT NO. 64G23		
ILLINOIS FED. AID PROJECT					