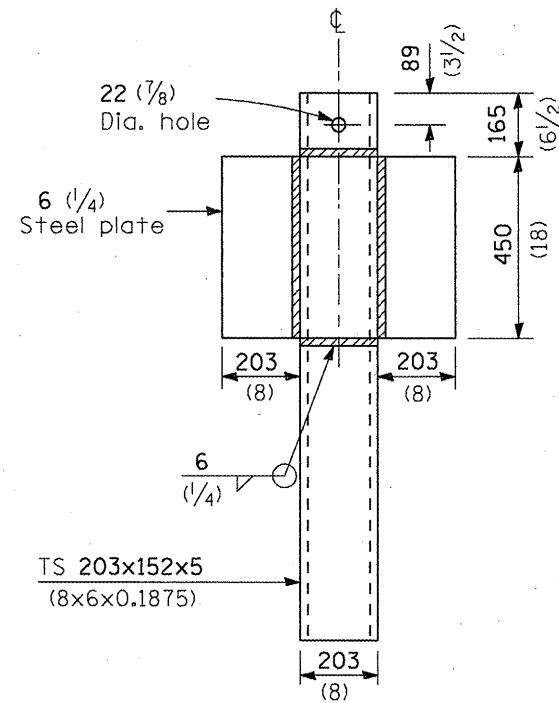
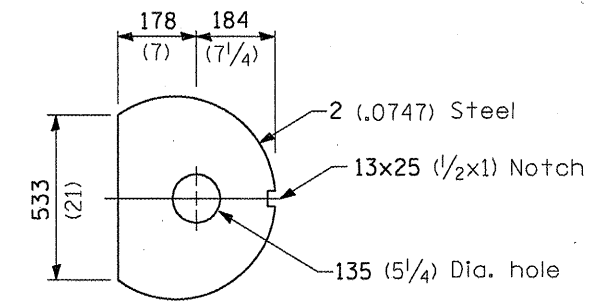


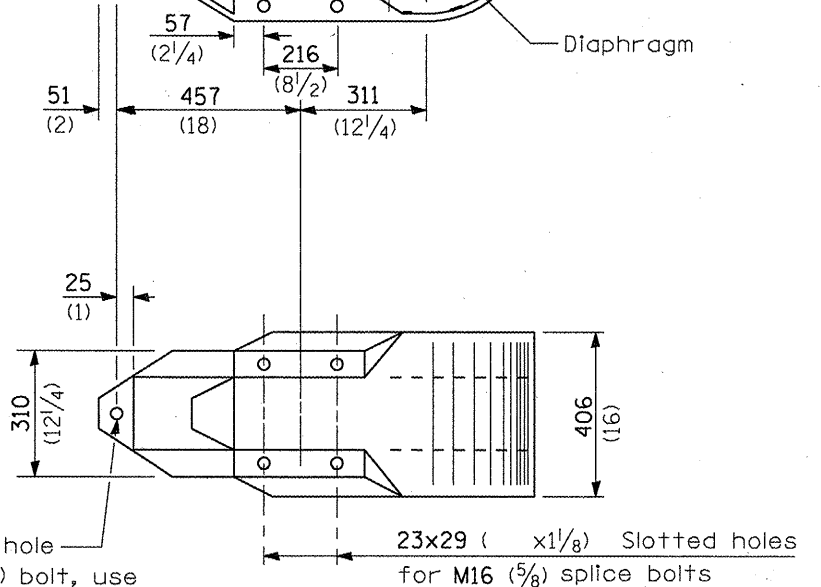
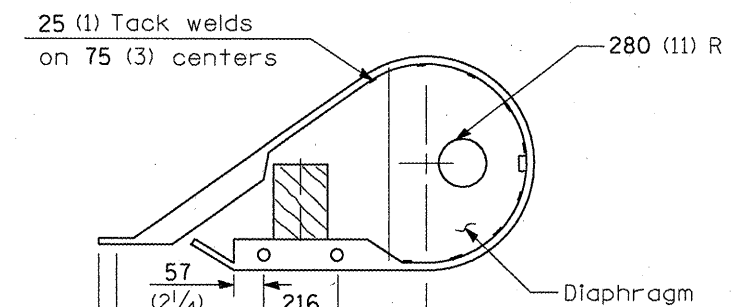
WOOD BREAKAWAY POST
(2 ea.)



ALTERNATE SOIL PLATE CONNECTION

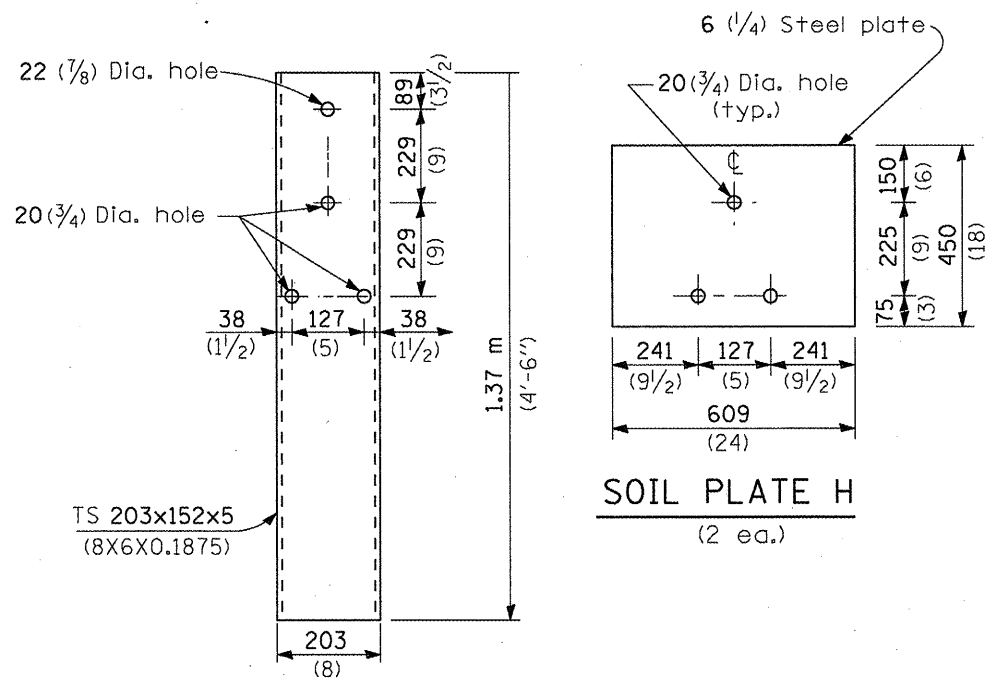


DIAPHRAGM
(2 ea.)



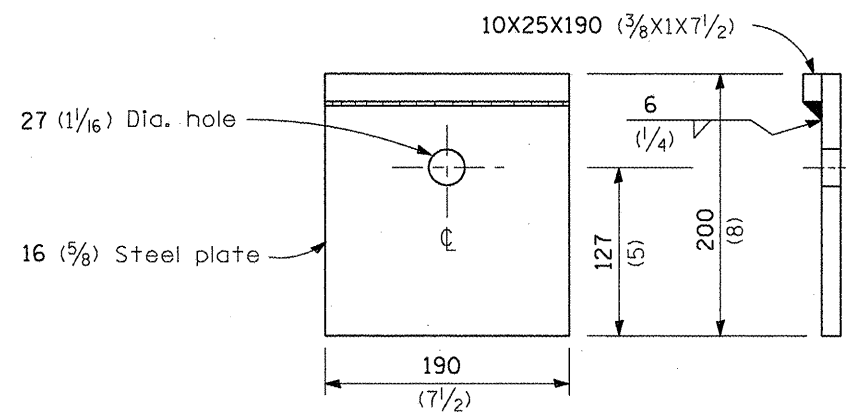
20 (3/4) Dia. hole for M15 (5/8) bolt, use plate Washer F under head and nut at this bolt only.

NOSE
(1 ea.)



STEEL TUBE
(2 ea.)

SOIL PLATE H
(2 ea.)



BEARING PLATE K
(1 ea.)

DETAIL INCLUDED FOR REPAIR ONLY

All dimensions are in millimeters (inches) unless otherwise shown.

• D-3 HIGHWAY DAMAGE REPAIR 2010

FILE NAME =	USER NAME = schwankerg	DESIGNED -	REVISED -
ct:\p\work\p\WIDOT\SCHWANKERG\d0184951\366A25-sht-details.dgn		DRAWN -	REVISED -
		CHECKED -	REVISED -
		DATE -	REVISED -

STATE OF ILLINOIS
DEPARTMENT OF TRANSPORTATION

TRAFFIC BARRIER TERMINAL TYPE 1
STANDARD B.L.R. 23

F.A. RTE.	SECTION	COUNTY	TOTAL SHEETS	SHEET NO.
			36	10
CONTRACT NO. 66A25			ILLINOIS FED. AID PROJECT	

SCALE: SHEET NO. OF SHEETS STA. TO STA.