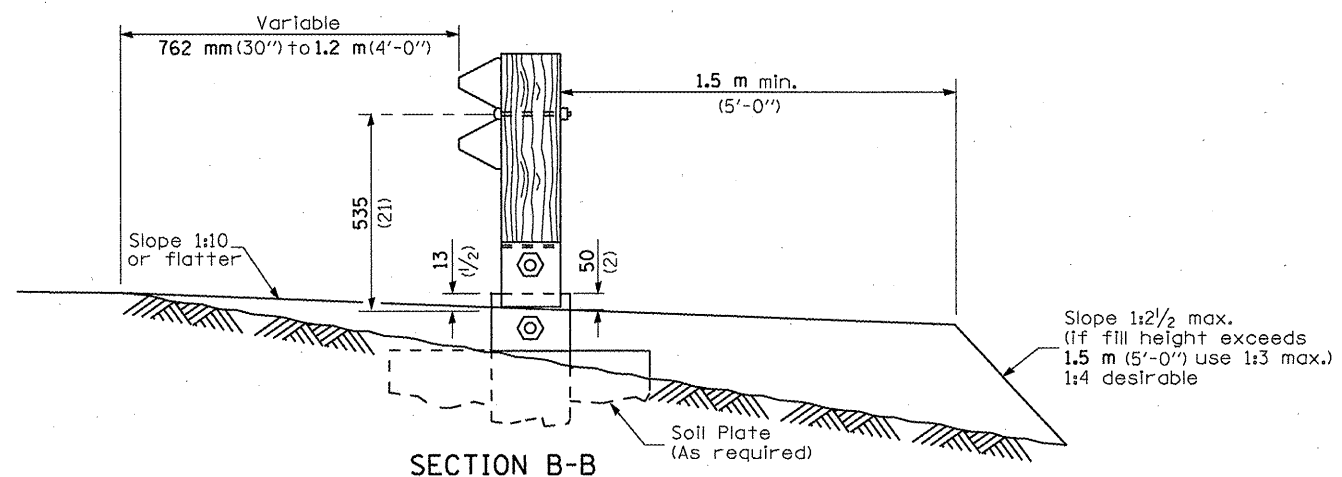


**SHOULDER WIDENING TRANSITION
FOR FLARED TERMINAL**



SECTION B-B
(End section omitted for clarity.)

• D-3 HIGHWAY DAMAGE REPAIR 2010

FILE NAME =	USER NAME = schwankerg	DESIGNED -	REVISED -
cr:\pwork\pwwid\schwankerg\j8184951\666A25-shd-deta1s.dgn		DRAWN -	REVISED -
PLOT SCALE = 100.0000 "/ IN.		CHECKED -	REVISED -
PLOT DATE = Feb 17, 2010 - 03:52:36 PM		DATE -	REVISED -

**STATE OF ILLINOIS
DEPARTMENT OF TRANSPORTATION**

**PRE-MGS EFFECTIVE 4-1-06
SHOULDER WIDENING FOR TYPE 1 (SPECIAL) GUARDRAIL TERMINALS
STANDARD 630301-03** (Sheet 2 of 2)

F.A. RTE.	SECTION	COUNTY	TOTAL SHEETS	SHEET NO.
VAR.	*	VAR.	36	23
FED. ROAD DIST. NO.			ILLINOIS FED. AID PROJECT	
			CONTRACT NO. 66A25	

SCALE: SHEET NO. OF SHEETS STA. TO STA.