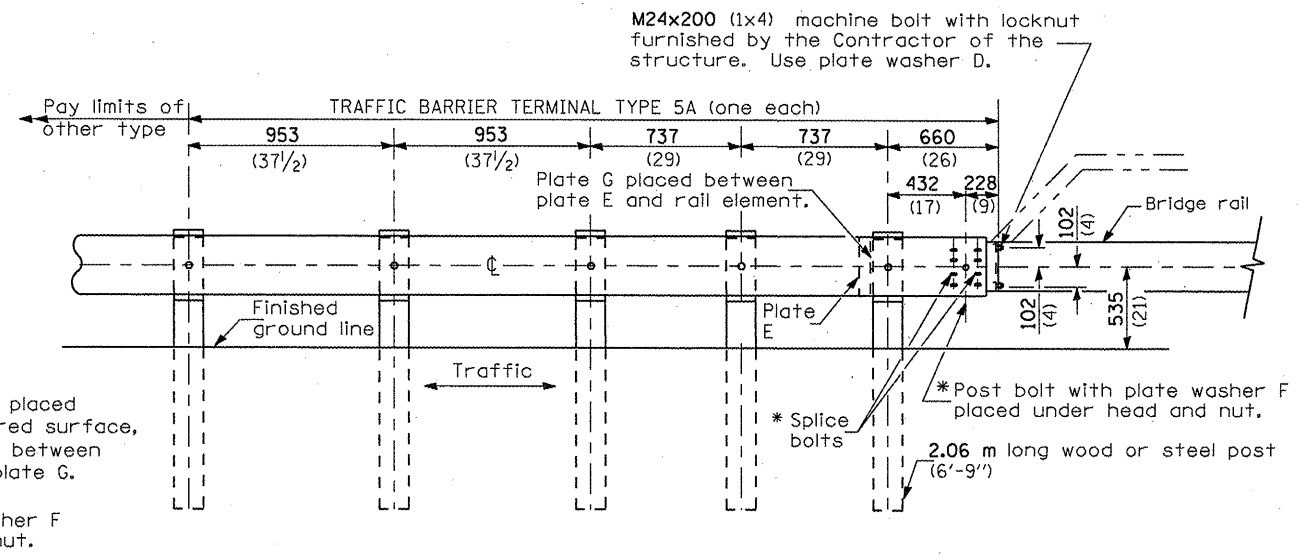


TYPE 5 - CONCRETE BRIDGE PARAPET



TYPE 5A - STEEL BRIDGE RAIL

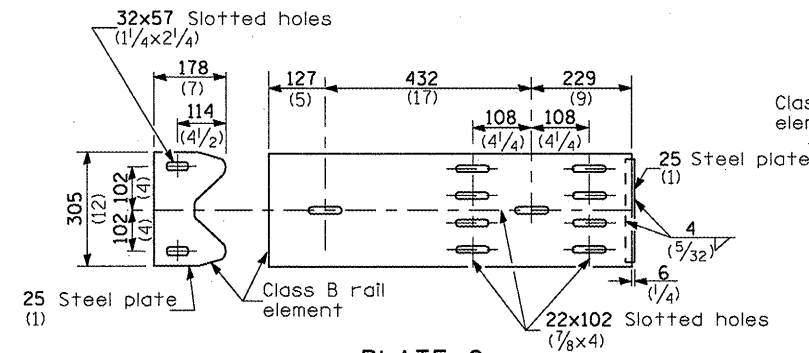


PLATE G

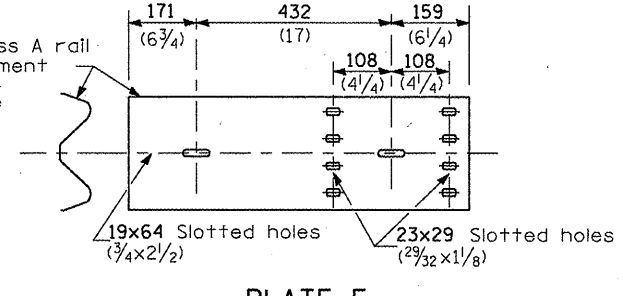
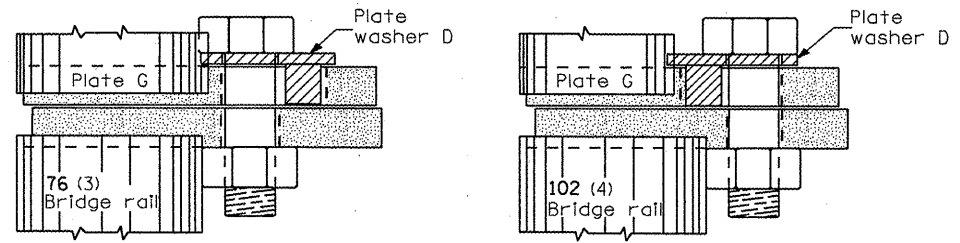


PLATE E



PLACEMENT OF PLATE WASHER D

(PLAN)

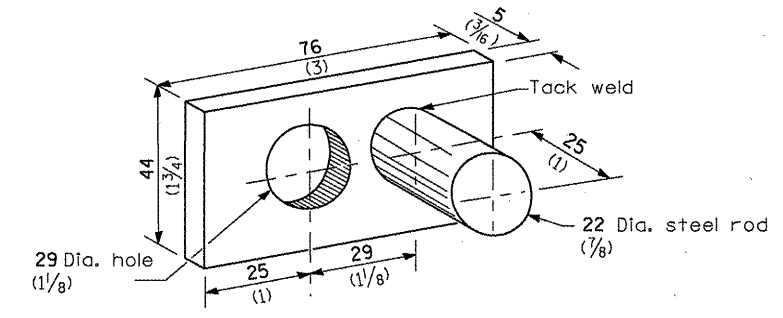
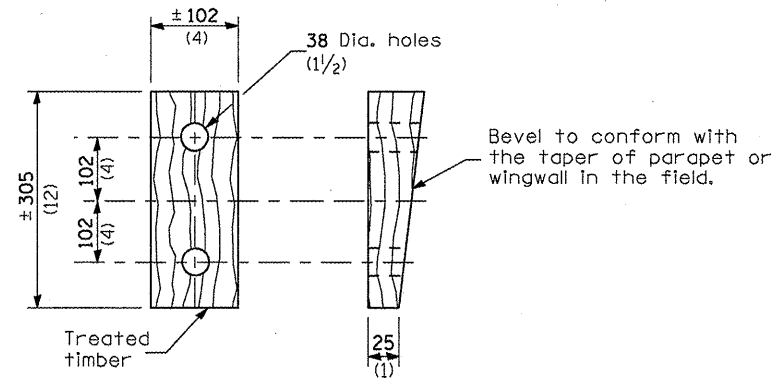


PLATE WASHER D



WEDGE M

GENERAL NOTES

Install plate washer D so that the 25 mm (1") projection fills the remainder of the slotted holes in the 25 mm (1") end plate on plate G after the M24 (1") dia. bolts are in place.

* Bolts shall be provided with locknut or double nut and shall be tightened only to a point that will allow plate G to be free to move when an expansion joint exists below the connector.

See Standard 630001 for details of guardrail not shown.

All dimensions are in millimeters (inches) unless otherwise shown.

| | | | | | | | | | |
|---|------------------------|------------|-----------|---|----------------------------------|---|--|--|--|
| <p>STATE OF ILLINOIS DEPARTMENT OF TRANSPORTATION</p> | | | | <p>PRE-MGS EFFECTIVE 4-1-06 TRAFFIC BARRIER TERMINAL TYPE 5 & 5A STANDARD 631026-02</p> | | | | <p>F.A. RTE. SECTION COUNTY TOTAL SHEETS SHEET NO. VAR. VAR. 36 25</p> | |
| FILE NAME = | USER NAME = schwankerg | DESIGNED - | REVISED - | SCALE: | SHEET NO. OF SHEETS STA. TO STA. | FED. ROAD DIST. NO. ILLINOIS FED. AID PROJECT | | CONTRACT NO. 66A25 | |
| al\pw\work\PWIDDT\SCHWANKERG\d0184951\66A25-sht-details.dgn | | DRAWN - | REVISED - | | | | | | |
| PLOT SCALE = 100.0000' / IN. | | CHECKED - | REVISED - | | | | | | |
| PLOT DATE = Feb 17, 2010 - 03:52:53 PM | | DATE - | REVISED - | | | | | | |

D-3 HIGHWAY DAMAGE REPAIR 2010