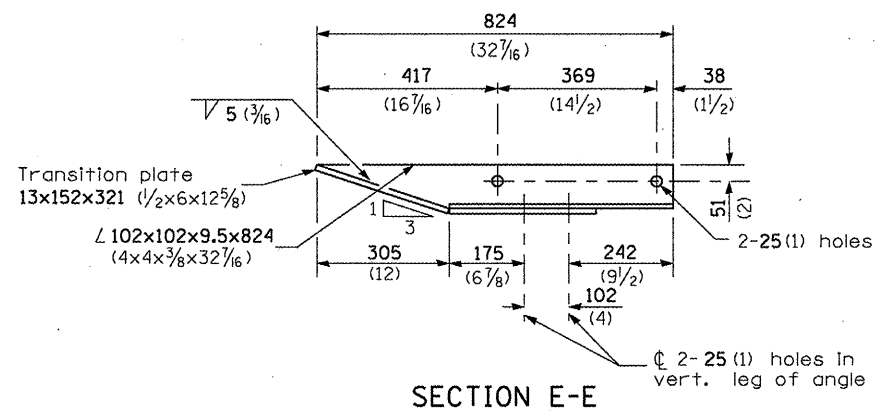
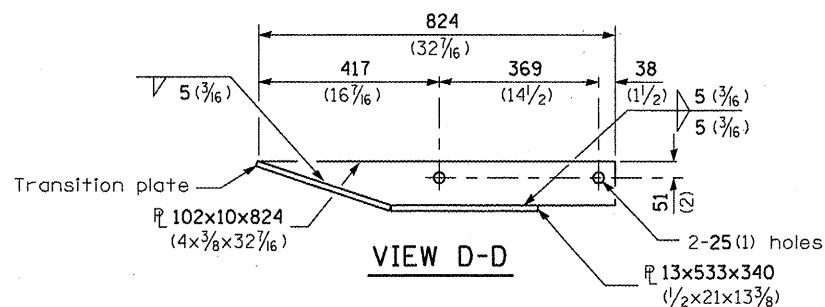


GUARDRAIL CONNECTION PLATE ASSEMBLY DETAILS

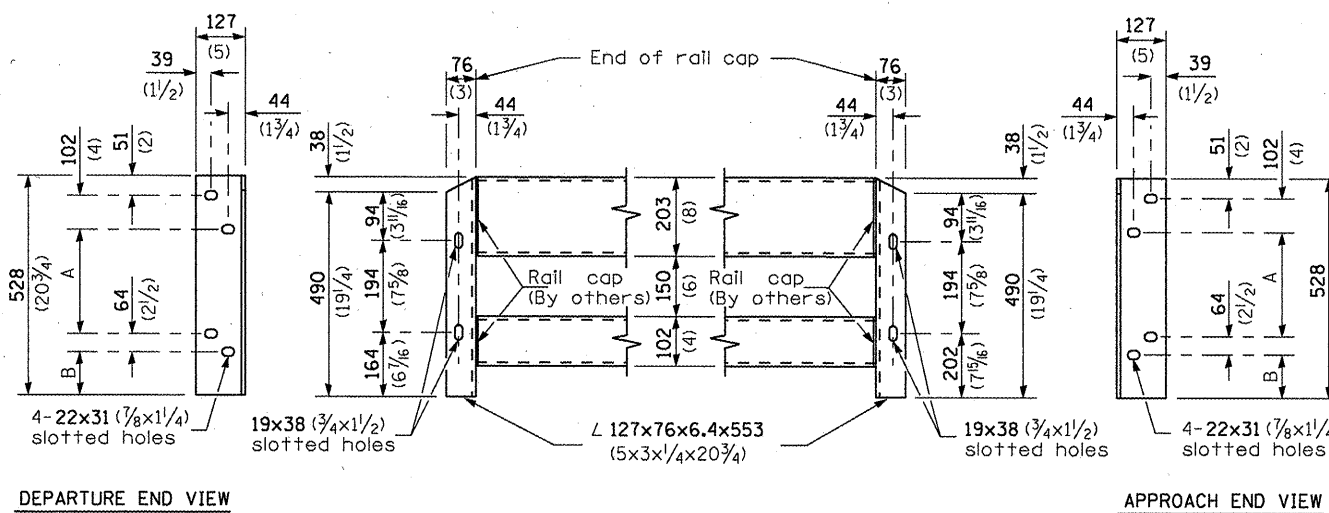
(Mirror for opposite end)



- ϕ 4-25 (1) holes for 22 (7/8) H.S. bolts and nuts
- Drill and tap 3 holes for 22 (7/8) H.S. bolts.

LEGEND

| Dimensions | A | B |
|-----------------------|-------------|------------|
| For Curb Mounted Rail | 222 (8 3/4) | 89 (3 1/2) |
| For Side Mounted Rail | 247 (9 3/4) | 64 (2 1/2) |



(Install angles to rail caps using 19 (5/8) washers and self-locking nuts or nuts and jam nuts, to be provided by others)

• D-3 HIGHWAY DAMAGE REPAIR 2010

| | | | |
|--|----------------------|------------|-----------|
| FILE NAME = | USER NAME = schwanke | DESIGNED - | REVISED - |
| ca:\p\work\PIWIDOT\SCHWANKER\d0184951\368A25-sht-details.dgn | | DRAWN - | REVISED - |
| PLOT SCALE = 100.0000 ' / IN. | | CHECKED - | REVISED - |
| PLOT DATE = Feb 17, 2010 03:53:45 PM | | DATE - | REVISED - |

STATE OF ILLINOIS
DEPARTMENT OF TRANSPORTATION

PRE-MGS EFFECTIVE 4-1-06
TRAFFIC BARRIER TERMINAL, TYPE 6A
STANDARD 631032-02

SCALE: SHEET NO. OF SHEETS STA. TO STA. Sheet 3 of 3

| F.A. RTE. | SECTION | COUNTY | TOTAL SHEETS | SHEET NO. |
|---|---------|--------|--------------|-----------|
| VAR. | * | VAR. | 36 | 31 |
| CONTRACT NO. 66A25 | | | | |
| FED. ROAD DIST. NO. ILLINOIS FED. AID PROJECT | | | | |