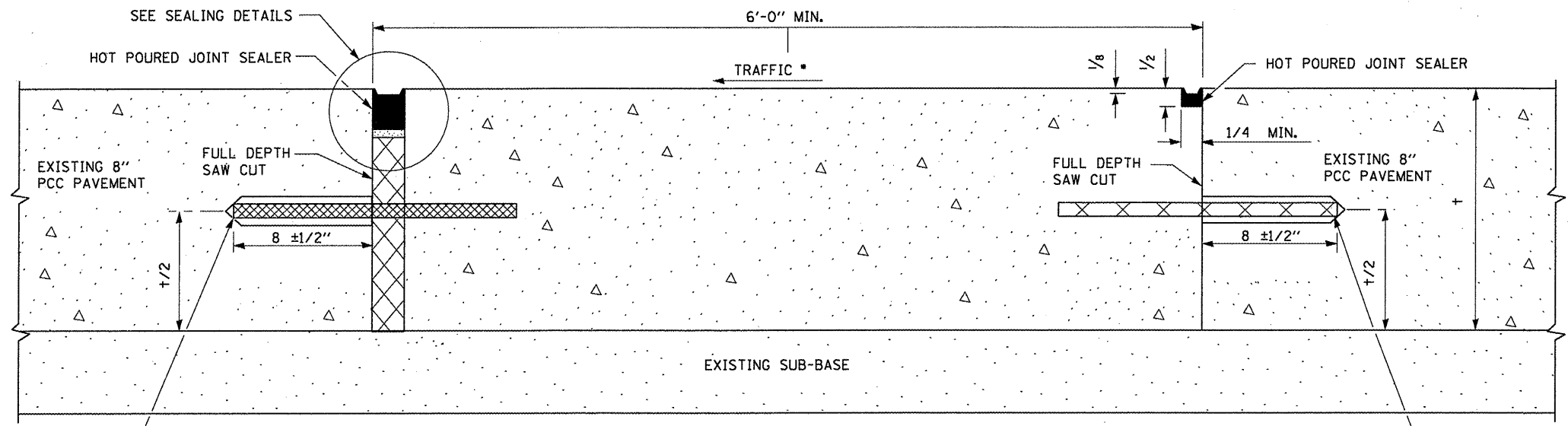
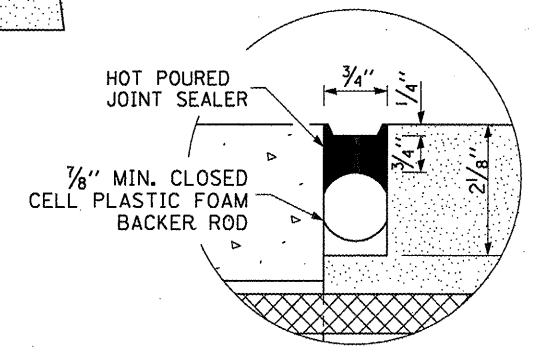
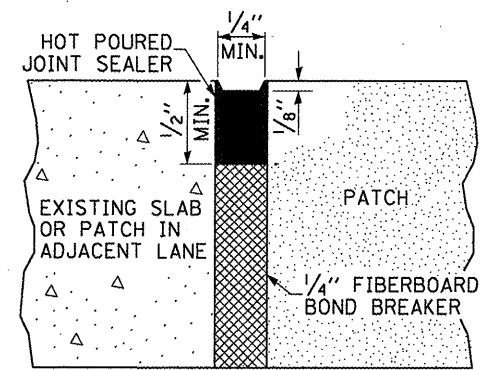


DOWEL BAR TABLE		
PAVEMENT THICKNESS	DOWEL BAR DIAMETER	HOLE DIAMETER
8" OR GREATER	1 1/2"	1 5/8"
7" THRU 7.99"	1 1/4"	1 3/8"
LESS THAN 7"	1"	1 1/8"



18 (450) Long dowel bars anchored into existing pavement at 12 (300) cts.

No. 10x18 (No. 32x450) Tie bars anchored into existing pavement at 12 (300) cts.

**GENERAL NOTES**

THE TRANSVERSE JOINTS FOR CLASS B PATCHES SHALL ALIGN WITH JOINTS OR CRACKS IN THE ADJACENT LANE WHENEVER POSSIBLE.  
SEE STANDARD 420701 FOR DETAILS OF PAVEMENT FABRIC.