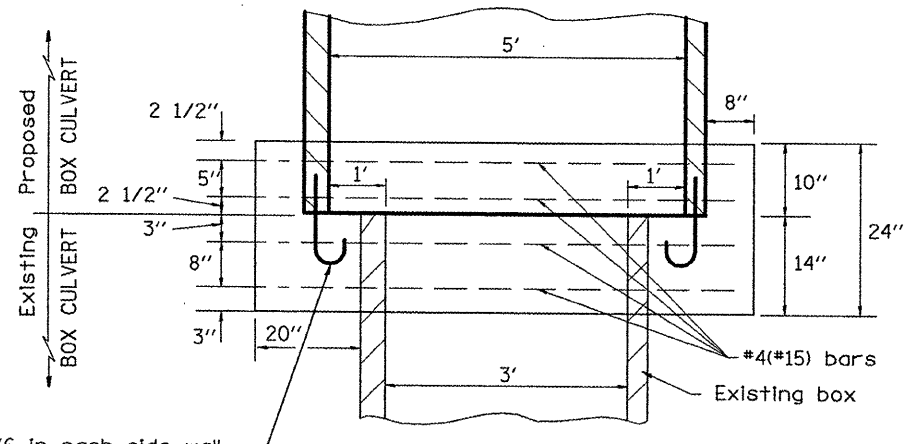
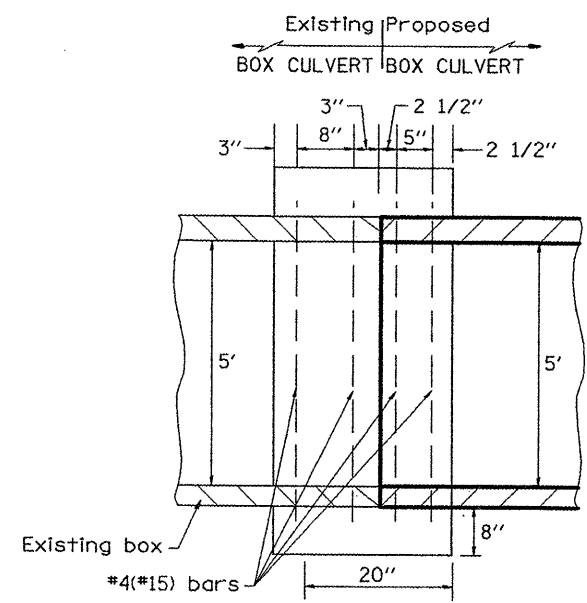


Expansion bolts (6 in each side wall of prop. box @ 12" spacing) or leave 10" of reinforcement extending from box walls to be cast into collar



SECTION B - B



SECTION A - A

GENERAL NOTES

- The collar shall be constructed entirely of CLASS SI CONCRETE and in accordance with the applicable portions of section 503 of the Standard Specifications. REINFORCEMENT BARS shall conform to section 508.
- Expansion bolts shall consist of approved expansion anchors, and 3/4(M20) hook bolts which conform to Section 1006.09. These bolts shall extend at least 8(200) into the new concrete.

EACH COLLAR											
EXIST. BOX		PROP. BOX		CLASS SI CONCRETE				REBARS			EXPANSION BOLTS EACH
W	H	W	H	CU. YD. (m <sup>3</sup> )	A	B	T	X	Y	LBS. (kg)	
3'	5'	5'	5'	2.2	7'-4"	7'-4"	8"	6'-8"	3'-10"	38	12

#4 BAR WEIGHT = 0.668 LB/FT  
**REVISION**  
 5-28-2010

FILE NAME = IL116CULCSAUG.dgn  
 0468784-sht-plan.dgn

USER NAME = horathj  
 DESIGNED -  
 DRAWN -  
 CHECKED -  
 DATE -  
 REVISED -  
 REVISED -  
 REVISED -  
 REVISED -

STATE OF ILLINOIS  
 DEPARTMENT OF TRANSPORTATION

CONCRETE COLLAR DETAIL - LOCATION #2  
 NOT TO SCALE  
 SCALE: SHEET NO. OF SHEETS STA. TO STA.

F.A.P. RTE.	SECTION	COUNTY	TOTAL SHEETS	SHEET NO.
665	(140)I-1	WARREN	33	11

CONTRACT NO. 68931  
 ILLINOIS FED. AID PROJECT