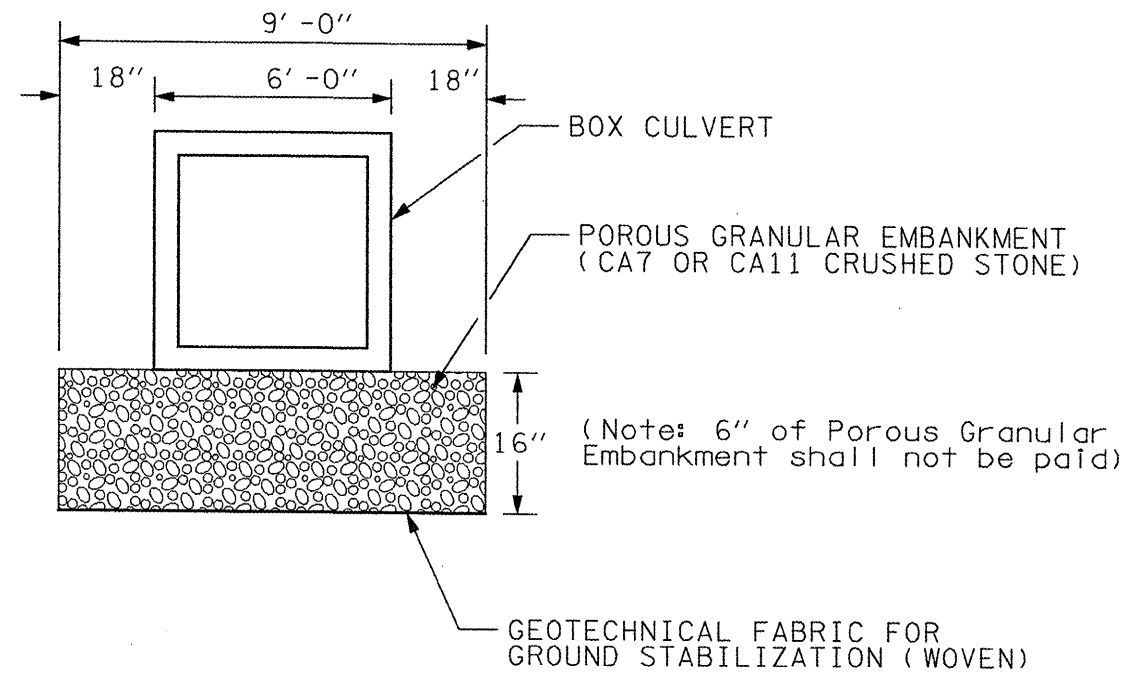


LOCATION 1: 1080+50 RT.




LOCATION 2: 1094+30 RT

**GENERAL NOTES:**

Undercut depths based on soil borings.  
Final undercut depths to be determined in the field and verified by the Engineer.

NOT TO SCALE


  
**SHEET REVISED**  
**5-28-2010**

All dimensions are in inches (millimeters) unless otherwise noted.

FILE NAME = D468704-shr-plan.dgn	USER NAME = horstkj	DESIGNED -	REVISED -	<b>STATE OF ILLINOIS</b> <b>DEPARTMENT OF TRANSPORTATION</b>	<b>UNSUITABLE EXCAVATION TREATMENT FOR CULVERTS</b>	F.A.J. RTE.	SECTION	COUNTY	TOTAL SHEETS	SHEET NO.	
	PLOT SCALE = 2.00" = 1' IN.	DRAWN -	REVISED -			639	(125)I-1	Mercer	33	12	
	PLOT DATE = 5/27/2010	CHECKED -	REVISED -			CONTRACT NO. 68929					
		DATE -	REVISED -			SCALE:	SHEET NO. OF SHEETS	STA. TO STA.	FED. ROAD DIST. NO.	ILLINOIS FED. AID PROJECT	