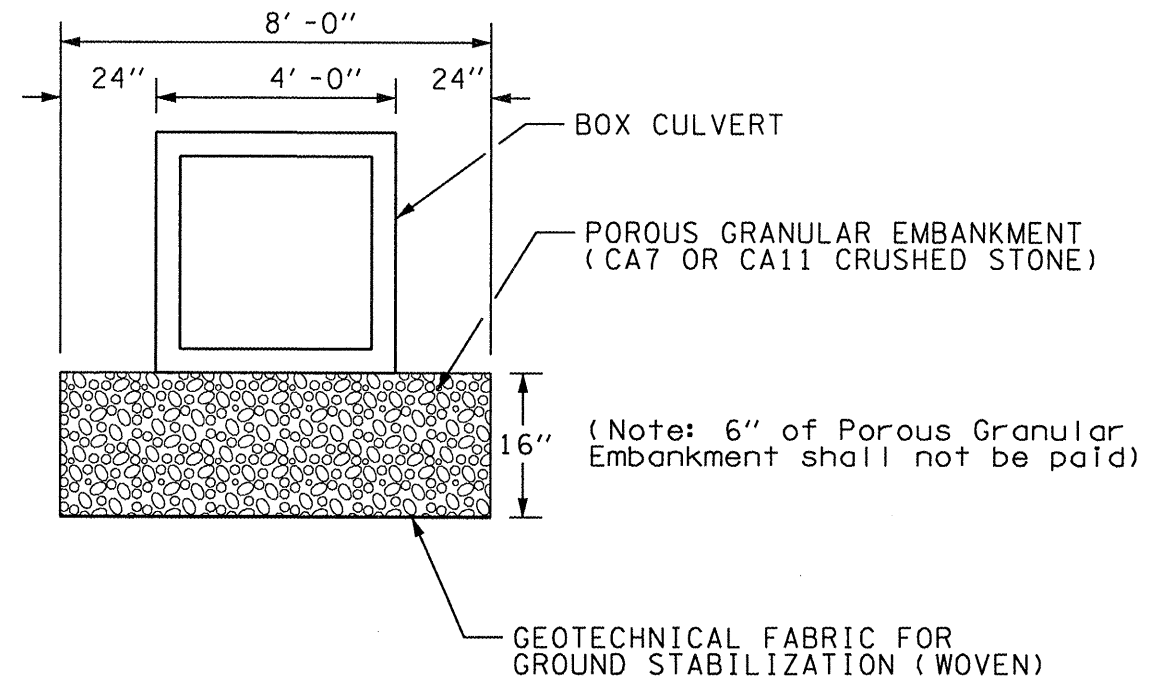


LOCATION 1: 1080+50 RT.



LOCATION 2: 1094+30 RT

GENERAL NOTES:

Undercut depths based on soil borings.
 Final undercut depths to be determined in the field and verified by the Engineer.

NOT TO SCALE

All dimensions are in inches (millimeters) unless otherwise noted.

FILE NAME = D468784-sh-t-plan.dgn	USER NAME = longsr	DESIGNED - ---	REVISED - ---	STATE OF ILLINOIS DEPARTMENT OF TRANSPORTATION	UNSATURABLE EXCAVATION TREATMENT FOR CULVERTS	F.A.P. RTE. 639	SECTION (125)I-1	COUNTY Mercer	TOTAL SHEETS 33	SHEET NO. 12		
PLOT SCALE = 2,000' / IN.	CHECKED - ---	REVISED - ---	SCALE: _____			SHEET NO. ___ OF ___ SHEETS	STA. _____ TO STA. _____	CONTRACT NO. 68929				
PLOT DATE = 4/8/2010	DATE - -----	REVISED - ---	FED. ROAD DIST. NO. [ILLINOIS] FED. AID PROJECT									