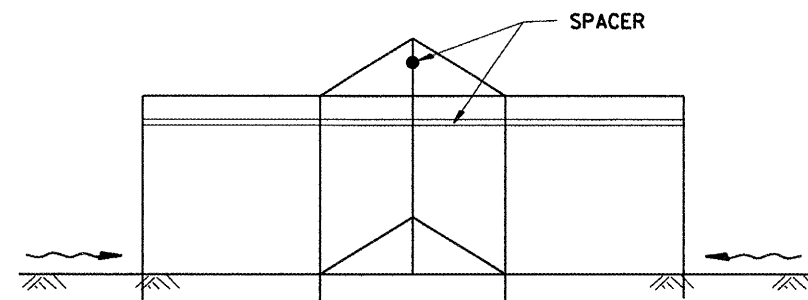
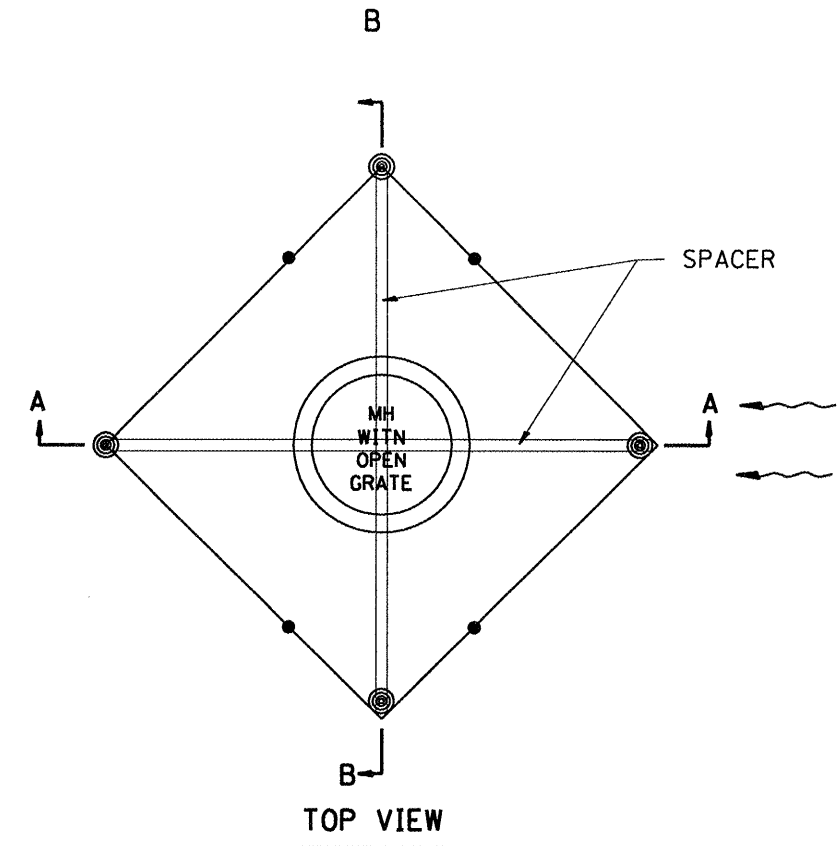


UPSTREAM PIPE CULVERT EROSION CONTROL

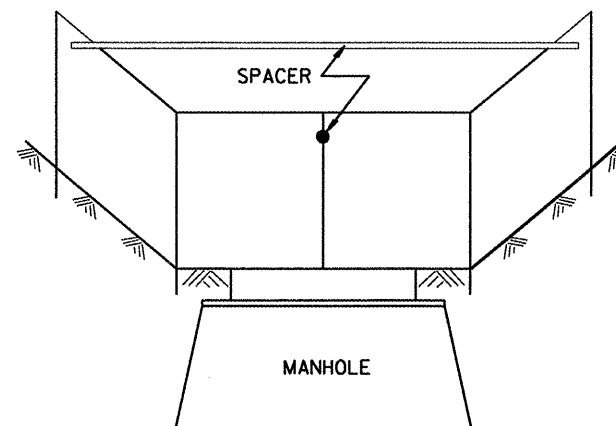
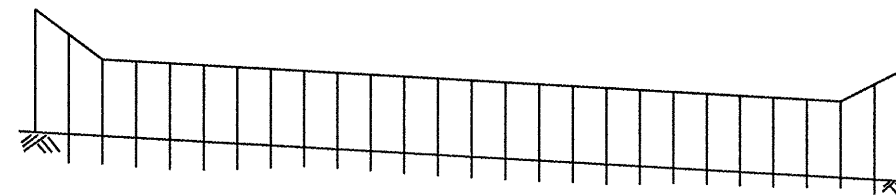
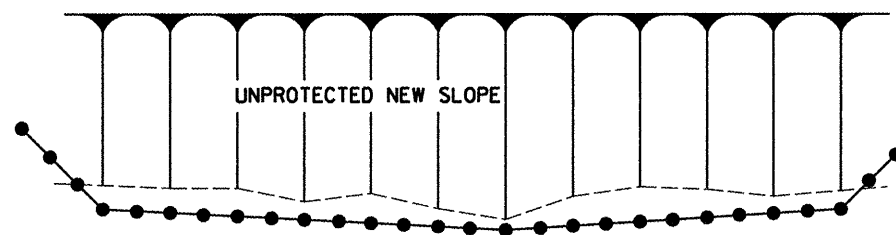


SIDE VIEW
A-A



GENERAL NOTES:

1. This work shall be performed in accordance with Sections 280 & 1081, of the Standard Specifications.
2. Additional Timber or Metal Post shall be installed, as needed.



Front View
B-B

EROSION CONTROL
AT
OPEN GRATE MAN HOLE

All dimensions are in inches (millimeters) unless otherwise noted.

1:1-97		I.P.		
3-11-03	ELIMINATED SILT FENCE DIICH CHECK	M.A.		

STATE OF ILLINOIS
DEPARTMENT OF TRANSPORTATION

TYPICAL APPLICATION OF SILT FILTER FENCE

NOT TO SCALE

F.A. RTE.	SECTION	COUNTY	TOTAL SHEETS	SHEET NO.
639	(125)1-1	MERCER	33	30
CONTRACT NO. 68929				

CA00_S10_280001-01

FED. ROAD DIST. NO. ILLINOIS FED. AID PROJECT