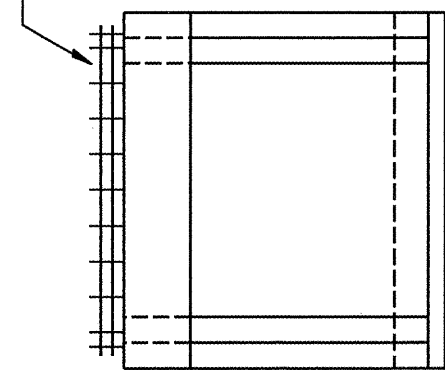
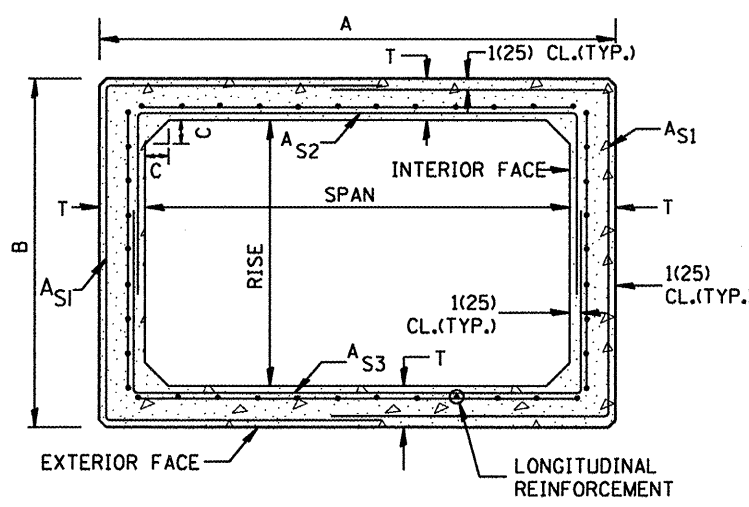


LEAVE 10(25) OF REINFORCEMENT EXPOSED AND PLACE THIS END INTO CONCRETE COLLAR

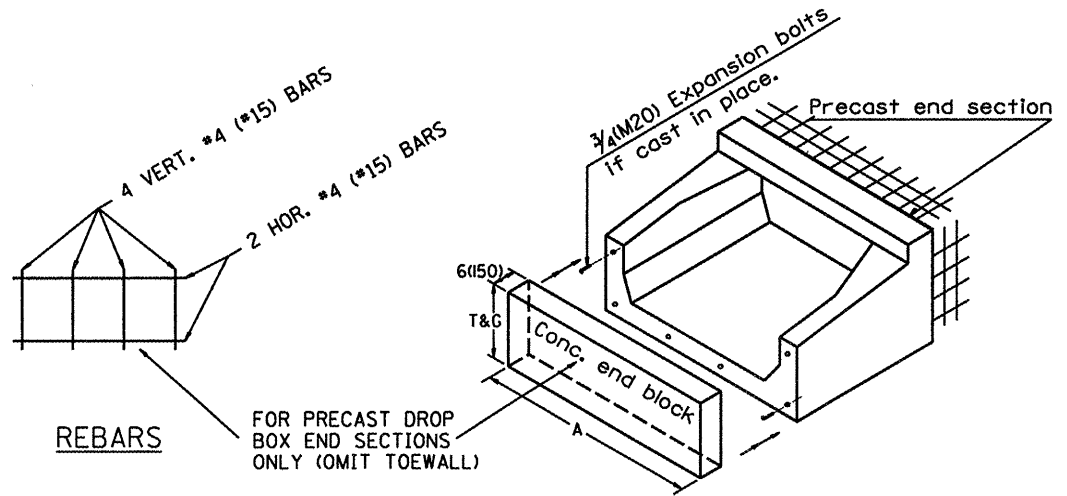


PLAN

END VIEW



CROSS-SECTION



PERSPECTIVE

GENERAL NOTES:

1. The Box Culvert Sections shall conform to ASTM C789 for 2' (0.6 m) cover or more. If less than 2' (0.6 m) of cover exists, then ASTM C-850 applies and modify Table 'B' and drawing.
2. The Aggregate shall conform to the requirements of Articles 1003.02 and 1004.02 of the Standard Specifications. The gradation requirements do not apply.
3. The External Sealing Band shall conform to ASTM C 877. The appropriate portions of Articles 550.02(1) and 1057.01 of the Standard Specifications shall apply.
4. Shop plans for the Precast Reinforced Box Culvert Sections, End Sections and Drop Box End Sections shall be submitted in accordance with Article 540.06 of the Standard Specifications.
5. All dimensions shall be verified with the Supplier.

All dimensions are in inches (millimeters) unless otherwise noted.

01-01-97	BENJ.M. J-12.08 AND J-12.09 NEW FORMATS, METRICS	J.P.	10-16-06	REVISED TO 2007 SPEC.	M.A.
05-01-97	NEW REVISION BOX NOTES	J.A.			
05-01-97	CORRECT TITLE & GEN. NOTES	J.A.			
06-17-99	CORRECT DIMENSIONS	J.A.			

STATE OF ILLINOIS
DEPARTMENT OF TRANSPORTATION

PRECAST CONCRETE BOX CULVERTS (SPECIAL),
END SECTION (SPECIAL), &
DROP BOX END SECTIONS (SPECIAL) SHI. 1 OF 2
NOT TO SCALE CADD: SI-540401-04

F.A. RTE.	SECTION	COUNTY	TOTAL SHEETS	SHEET NO.
639	(1251)-1	MERCER	33	32
FED. ROAD DIST. NO. ILLINOIS FED. AID PROJECT			CONTRACT NO. 68929	