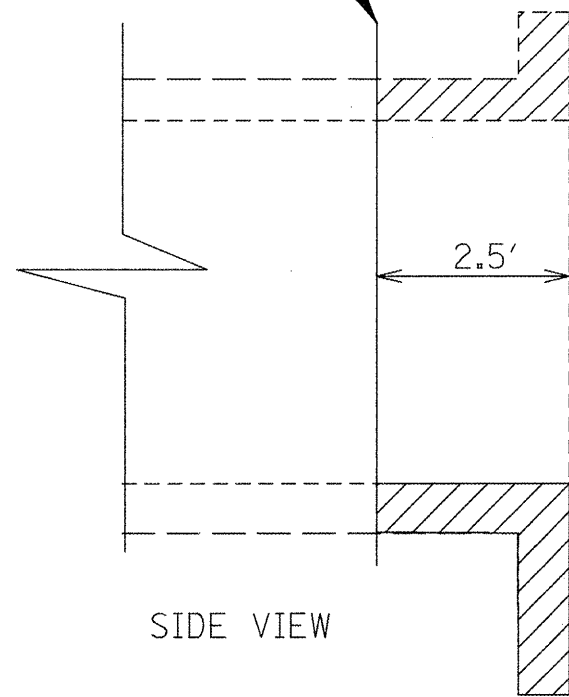


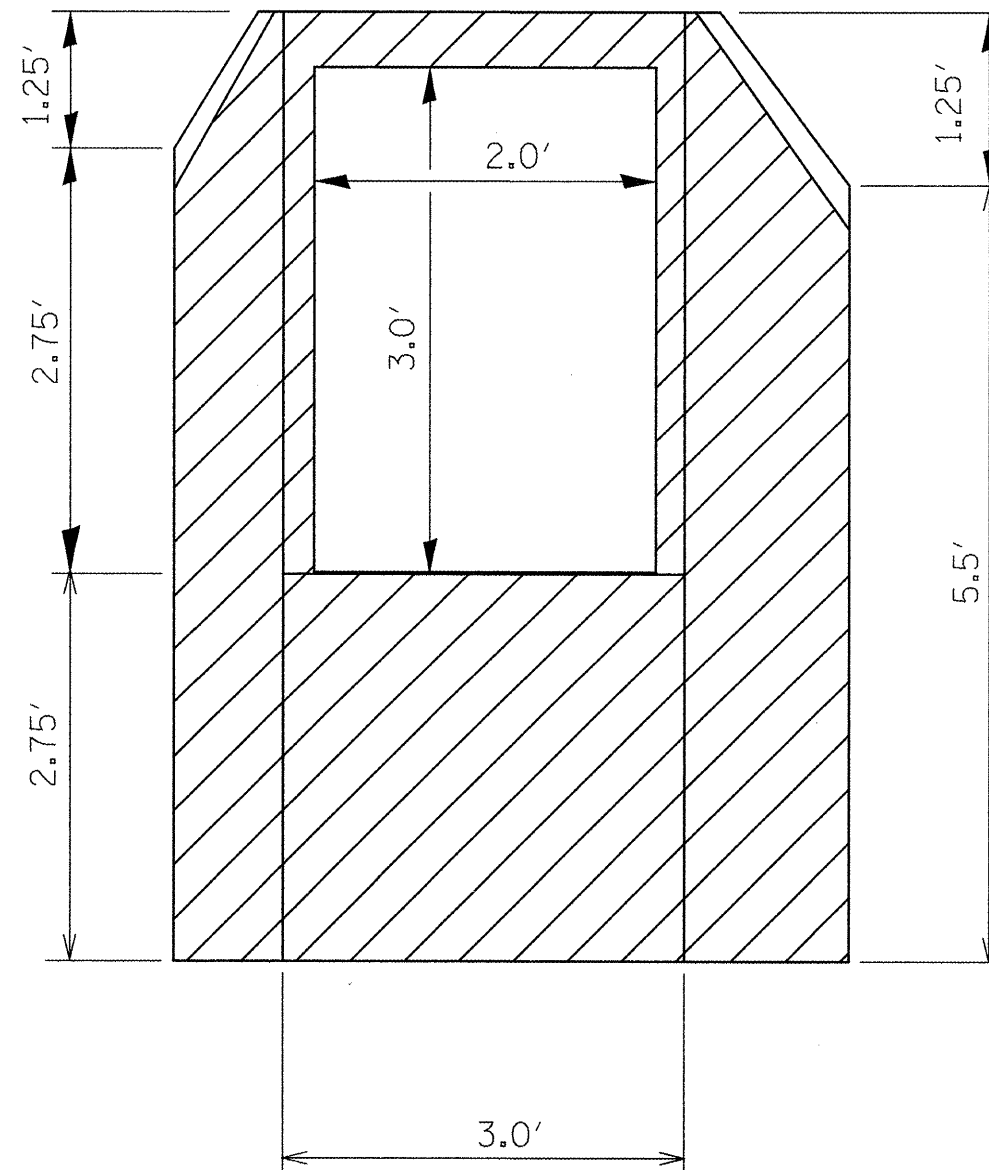
PLAN VIEW

CONCRETE REMOVAL  
FULL DEPTH. SAWCUT



SIDE VIEW

CONCRETE REMOVAL



ELEVATION VIEW

FILE NAME = IL116CULCSAUG.dgn  
IL116StaAug.dgn

USER NAME = eschhornbr

DESIGNED -

REVISED -

DRAWN -

REVISED -

PLOT SCALE = 20.0000' / IN.

CHECKED -

REVISED -

PLOT DATE = 4/21/2010

DATE -

REVISED -

STATE OF ILLINOIS  
DEPARTMENT OF TRANSPORTATION

CONCRETE REMOVAL DETAIL  
NOT TO SCALE

SCALE: SHEET NO. OF SHEETS STA. TO STA.

F.A.P. RTE.	SECTION	COUNTY	TOTAL SHEETS	SHEET NO.
665	(140)I-1	WARREN	18	9
CONTRACT NO. 68931				

ILLINOIS FED. AID PROJECT