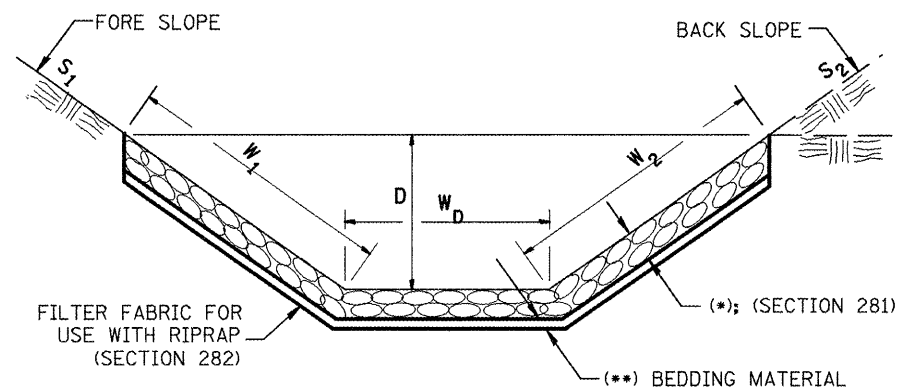


Designer NOTES:
 1. Designer to modify this Special Detail Sheet, as needed for inclusion in plans.
 2. Designer to specify pay item including material, quality, and gradation.
 3. Designer to specify thickness of bedding material.
 4. Include District Special Provision if needed.

**CASE 1
(DITCH)**



STONE RIPRAP, CLASS B3					
LOCATION	WIDTH (1)	LENGTH	THICKNESS	RIPRAP	FABRIC
STA TO STA	lin ft (m)	lin ft (m)	Inches (mm)	tons (m tons)	sq yds (m ²)
1401+50 TO 1402+37	8	90	16	73	80
TOTAL				73	80

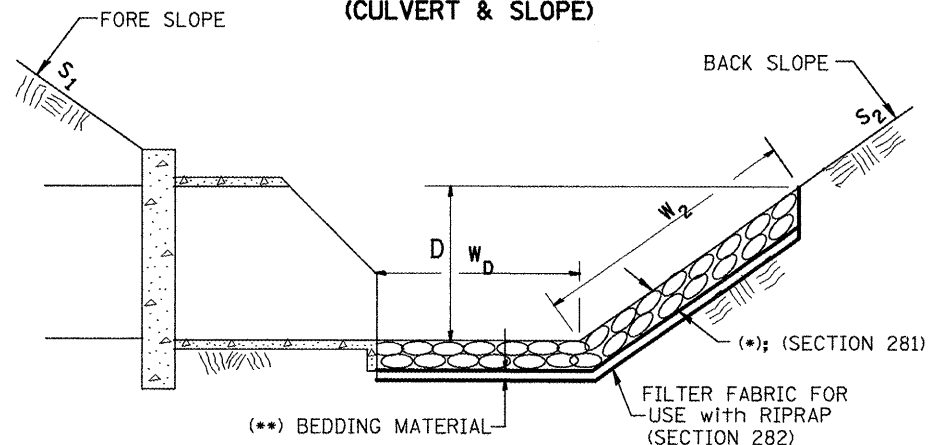
(1) WIDTH = $W_1 + W_2 + W_D = 4' + 2' + 2' = 8'$
 (** BEDDING MATERIAL = 0 INCHES

STONE RIPRAP, CLASS B3					
LOCATION	WIDTH (1)	LENGTH	THICKNESS	RIPRAP	FABRIC
STA TO STA	lin ft (m)	lin ft (m)	Inches (mm)	tons (m tons)	sq yds (m ²)
1402+40	11	115	16	128	140
TOTAL				128	140

(1) WIDTH = $W_1 + W_2 + W_D = 3.5' + 3.5' + 4' = 11'$
 (** BEDDING MATERIAL = 6 INCHES

FILTER FABRIC	
LOCATION	SQ YD
CLASS B3	80
CLASS B4	140
CLASS B5	31
TOTAL	251

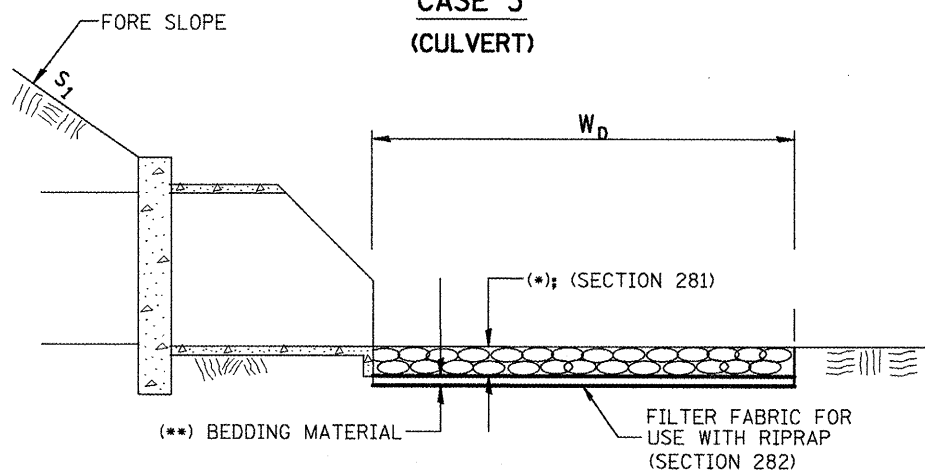
**CASE 2
(CULVERT & SLOPE)**



(*)				
LOCATION	WIDTH (1)	LENGTH	RIPRAP	FABRIC
STA TO STA	lin ft (m)	lin ft (m)	tons (m tons)	sq yds (m ²)
TOTAL				

(1) WIDTH = $W_2 + W_D$

**CASE 3
(CULVERT)**



STONE RIPRAP, CLASS B3					
LOCATION	WIDTH (1)	LENGTH	THICKNESS	RIPRAP	FABRIC
STA TO STA	lin ft (m)	lin ft (m)	Inches (mm)	tons (m tons)	sq yds (m ²)
1402+35, 125'RT	21'(AVG)	13	22	38	31
TOTAL				38	31

(1) WIDTH = W_D
 (** BEDDING MATERIAL = 8 INCHES

All slope ratios are expressed as units of vertical displacement to units of horizontal displacement (V:H).
 All dimensions are in inches (millimeters) unless otherwise noted.

1-1-97	RENUM. A-12.02, NEW REVISION BOX	T.P.
12-1-97	CORRECT FILTER FABRIC LEADER ARROW	J.A.
10-16-06	REVISED TO 2007 SPEC.	M.A.

STATE OF ILLINOIS
 DEPARTMENT OF TRANSPORTATION

RIPRAP DITCH FOR EROSION PROTECTION

NOT TO SCALE

CADD STD. 281001-04

F.A. RTE.	SECTION	COUNTY	TOTAL SHEETS	SHEET NO.
665	(140)I-1	WARREN	18	12
FED. ROAD DIST. NO. ILLINOIS FED. AID PROJECT			CONTRACT NO. 68931	