

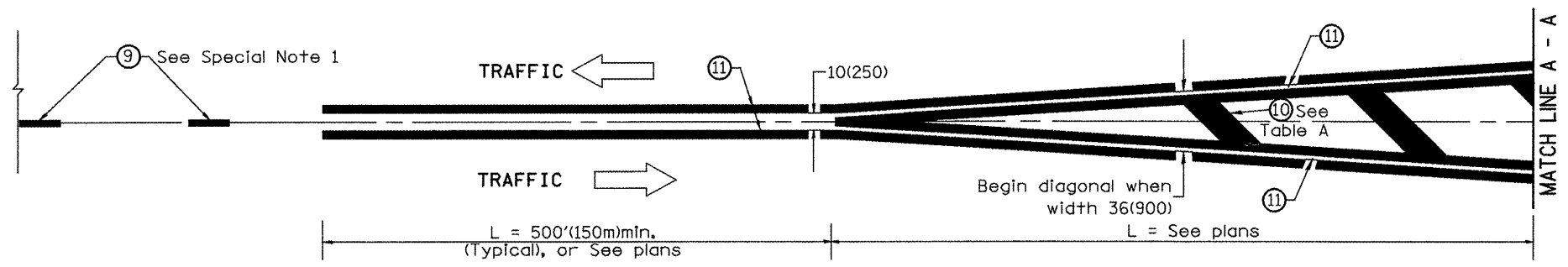
TYPICAL MEDIAN TRANSITIONS

TYPICAL TREATMENT: SIGNALIZED INTERSECTION

FLUSH PAVED MEDIAN: RESTRICTED LEFT TURN LANE

TABLE A
RECOMMENDED SPACING BETWEEN DIAGONAL LINES

SPEED LIMIT RANGE	CONTINUOUS	INTERSECTION CHANNELIZATION (Includes Width Transitions for Median and Left Turn Lane Introductions)
Less Than 30 mph (50 km/h)	50' (15m)	15' (5m)
30 - 45 mph (50 - 70 km/h)	75' (23m)	20' (6m)
Over 45 mph (70 km/h)	150' (46m)	30' (9m)



MEDIAN INTRODUCTION - WIDTH TRANSITIONS

All dimensions are in Inches (millimeters) unless otherwise noted.

STATE OF ILLINOIS
DEPARTMENT OF TRANSPORTATION

TYPICAL PAVEMENT MARKINGS

F.A.P. RTE. 22	SECTION 46RS-3;131RS-5	COUNTY KNOX/PEORIA	TOTAL SHEETS 18	SHEET NO. 18
SHT. 2 OF 2 CADD STD. 780001-D4			CONTRACT NO. 68958	

NOT TO SCALE

ILLINOIS