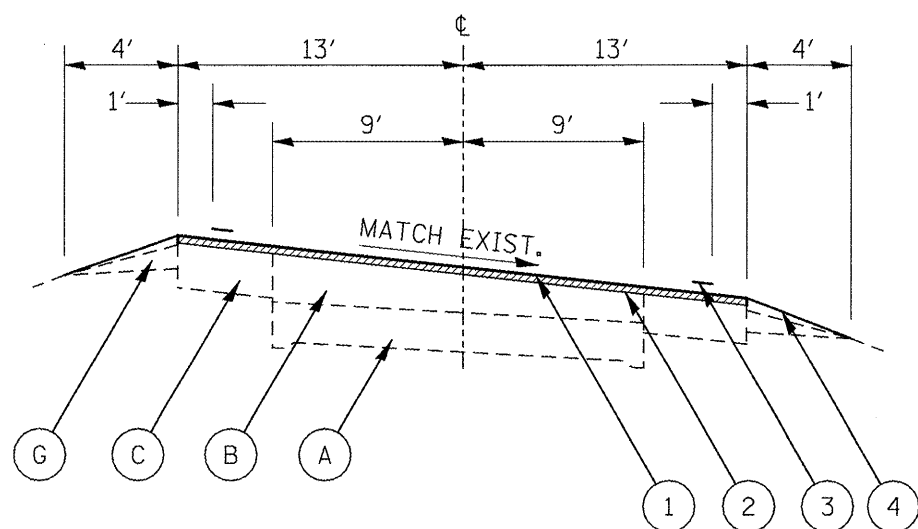


IL 8-TYPICAL SECTION 1

NOTE: SEE SHEET 11 FOR LOCATIONS OF PROPOSED HMA SHOULDER, 8"



IL 8-TYPICAL SECTION 2

NOTES: 1. SEE SHEET 11 FOR LOCATIONS OF PROPOSED HMA SHOULDER, 8"

2. SEE TABULATION OF RESURFACING QUANTITIES ON SHEETS 12-14 FOR LOCATIONS EACH TYPICAL SECTION IS APPLICABLE TO.

**LEGEND - PROPOSED**

- ① HMA SURFACE REMOVAL, 1 1/2"
- ② POLYMERIZED HMA SURFACE CSE, 1 1/2"  
OR HMA SURFACE CSE, 1 1/2"  
(SEE SCHEDULES ON SHEETS 12-14 FOR LOCATIONS)
- ③ EPOXY PAVEMENT MARKING
- ④ AGGREGATE SHOULDERS, TYPE B

**LEGEND - EXISTING**

- Ⓐ PCC PAVEMENT (9-6-9)
- Ⓑ HMA OVERLAY, 7 1/2" AND VAR.
- Ⓒ HMA BASE CSE., 9"
- Ⓓ FULL-DEPTH HMA PVMT, 13"
- Ⓔ HMA SHOULDER, 6" TO 8"
- Ⓕ CONCRETE GUTTER, TYPE A (MODIFIED)
- Ⓖ AGGREGATE SHOULDER
- Ⓗ PIPE UNDERDRAINS, 4"
- Ⓘ SUB-BASE GRAN. MATERIAL, 12"

|                                     |                              |            |           |   |                         |                         |                |                               |   |                 |              |
|-------------------------------------|------------------------------|------------|-----------|---|-------------------------|-------------------------|----------------|-------------------------------|---|-----------------|--------------|
| FILE NAME =<br>68961 - Phase II.dgn | USER NAME = johnsonv         | DESIGNED - | REVISED - | <b>STATE OF ILLINOIS<br/>DEPARTMENT OF TRANSPORTATION</b> | <b>TYPICAL SECTIONS</b> |                         | F.A.S.<br>RTE. | SECTION                       | COUNTY  | TOTAL<br>SHEETS | SHEET<br>NO. |
|                                     | PLOT SCALE = 100.0000' / IN. | CHECKED -  | REVISED - |   |                         |                         | 1388           | Z-(10-15)RS-7a(1V,E,2,4)RS-4J | PEORIA  | 32              | 5            |
|                                     | PLOT DATE = 3/18/2010        | DATE -     | REVISED - |   | NOT TO SCALE            | SHEET NO. 1 OF 7 SHEETS | STA.           | TO STA.                       | ILLINOIS FED. AID PROJECT<br>CONTRACT NO. 68961 |                 |              |