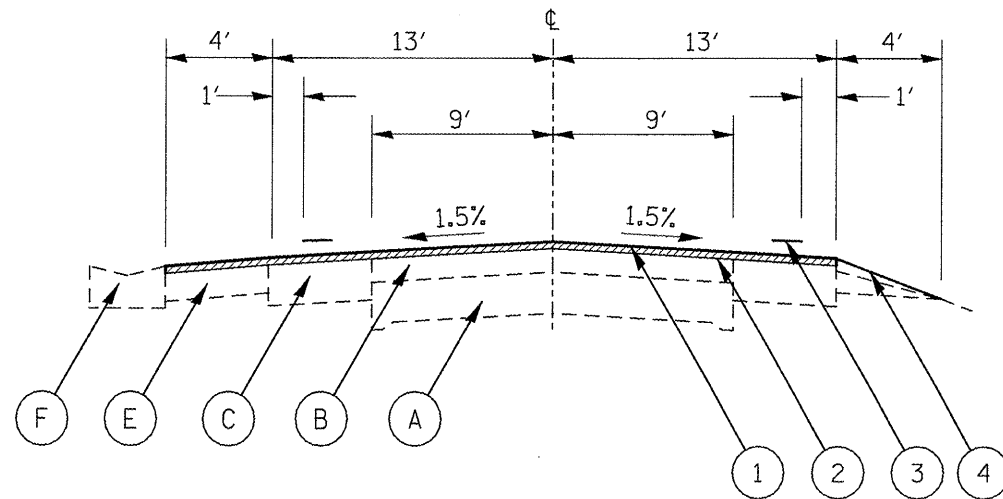


IL 8-TYPICAL SECTION 5

LEGEND - PROPOSED

- ① HMA SURFACE REMOVAL, 1 1/2"
- ② POLYMERIZED HMA SURFACE CSE, 1 1/2"
OR HMA SURFACE CSE, 1 1/2"
(SEE SCHEDULES ON SHEETS 12-14 FOR LOCATIONS)
- ③ EPOXY PAVEMENT MARKING
- ④ AGGREGATE SHOULDERS, TYPE B



IL 8-TYPICAL SECTION 6

LEGEND - EXISTING

- Ⓐ PCC PAVEMENT (9-6-9)
- Ⓑ HMA OVERLAY, 7 1/2" AND VAR.
- Ⓒ HMA BASE CSE., 9"
- Ⓓ FULL-DEPTH HMA PVMT, 13"
- Ⓔ HMA SHOULDER, 6" TO 8"
- Ⓕ CONCRETE GUTTER, TYPE A (MODIFIED)
- Ⓖ AGGREGATE SHOULDER
- Ⓗ PIPE UNDERDRAINS, 4"
- Ⓘ SUB-BASE GRAN. MATERIAL, 12"

NOTE: SEE TABULATION OF RESURFACING QUANTITIES ON SHEETS 12-14 FOR LOCATIONS EACH TYPICAL SECTION IS APPLICABLE TO.

FILE NAME = 68961 - Phase II.dgn	USER NAME = johnsonv	DESIGNED -	REVISED -	STATE OF ILLINOIS DEPARTMENT OF TRANSPORTATION	TYPICAL SECTIONS			F.A.S. RTE.	SECTION	COUNTY	TOTAL SHEETS	SHEET NO.
	PLOT SCALE = 100.0000' / IN.	CHECKED -	REVISED -					1388	Z-[10-15DIRS-7(1V,E,2,4)RS-4]	PEORIA	32	7
PLOT DATE = 3/18/2010	DATE -	REVISED -		NOT TO SCALE	SHEET NO. 3 OF 7 SHEETS	STA.	TO STA.	ILLINOIS FED. AID PROJECT CONTRACT NO. 68961				