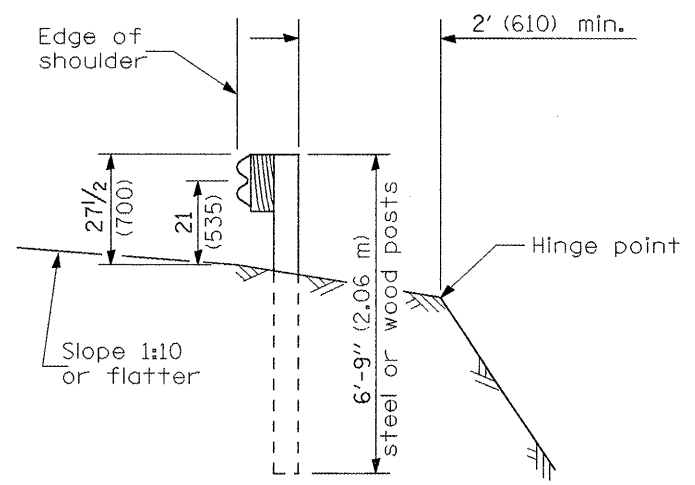
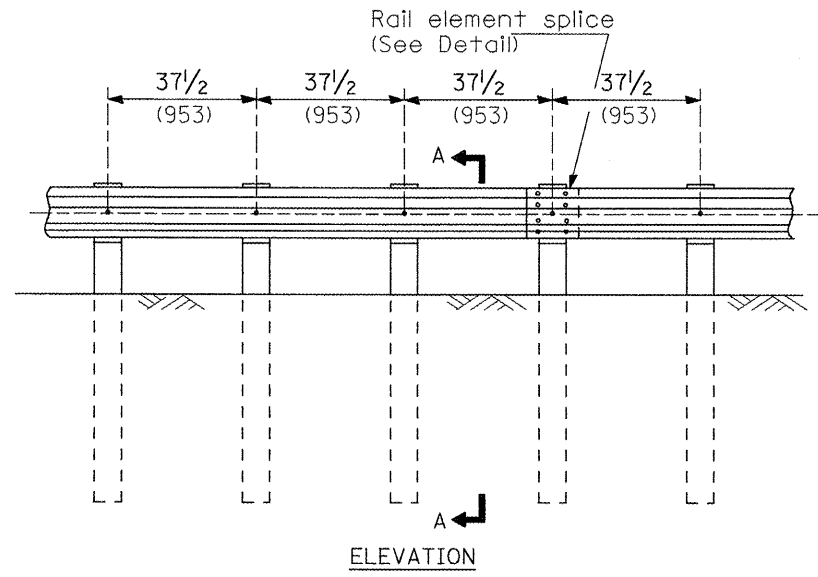


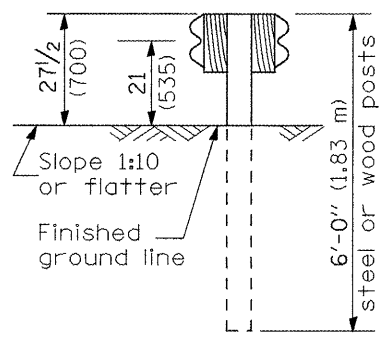
TYPE A
6'-3" (1.905 m) Typical post spacing



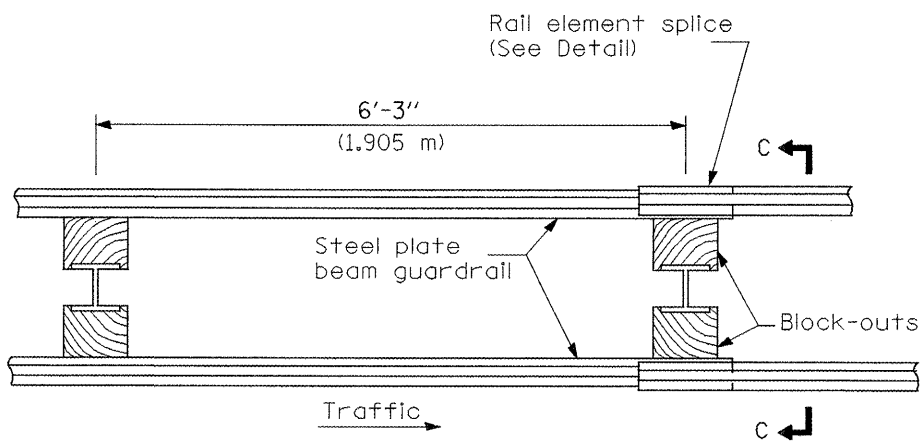
SECTION A-A



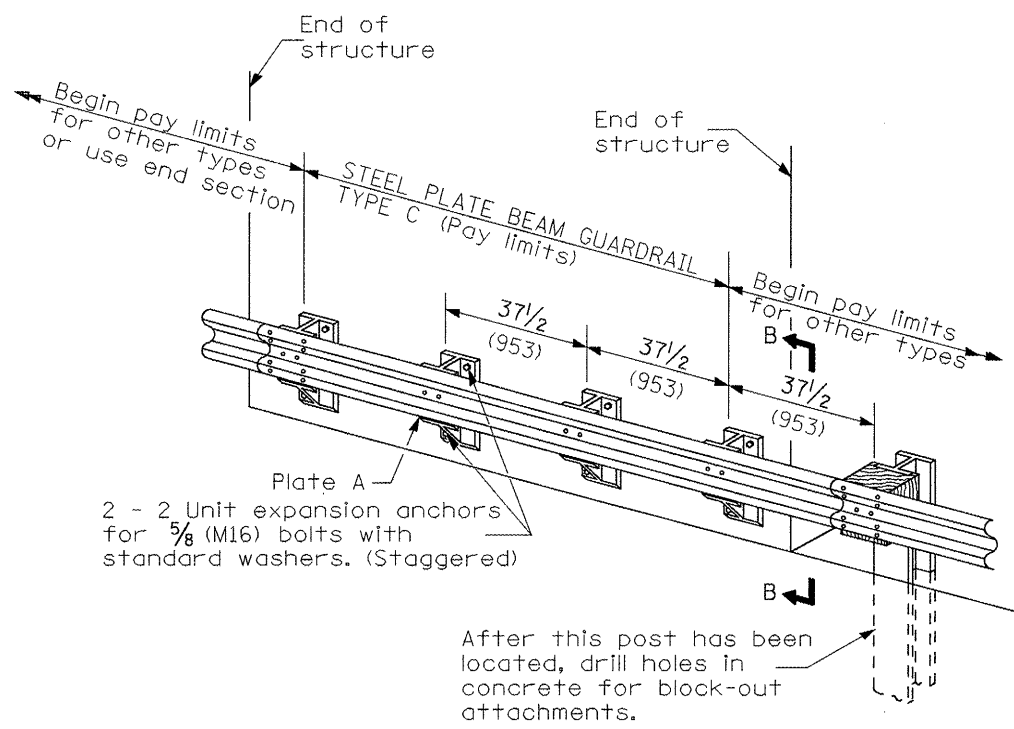
TYPE B
37 1/2 (953) Closed post spacing



SECTION C-C

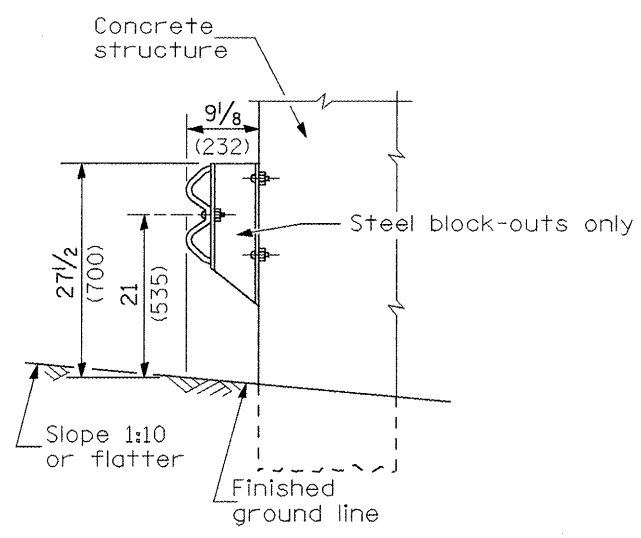


TYPE D
Double steel plate beam guardrail
6'-3" (1.905 m) typical post spacing



TYPE C
37 1/2 (953) Block-out spacing

After this post has been located, drill holes in concrete for block-out attachments.



SECTION B-B

GENERAL NOTES

All slope ratios are expressed as units of vertical displacement to units of horizontal displacement (V:H).
All dimensions are in millimeters (inches) unless otherwise shown.
The existing steel posts may be drilled to match the bolt pattern shown herein for the wood block-out, or a new steel post shall be provided.
This detail is applicable to the guardrail system used prior to January 1, 2007. For details on the Midwest Guardrail System, see Standard 630001.

All dimensions are in inches (millimeters) unless otherwise noted.

FILE NAME =	USER NAME = jahnantv
68961 - Phase II.dgn	

DESIGNED -	REVISD -
DRAWN -	REVISD -
CHECKED -	REVISD -
DATE -	REVISD -

STATE OF ILLINOIS
DEPARTMENT OF TRANSPORTATION

GUARDRAIL INSTALLATION DETAIL
SCALE: SHEET NO. 1 OF 4 SHEETS STA. TO STA.

F.A.S. RTE.	SECTION	COUNTY	TOTAL SHEETS	SHEET NO.
1388	Z-10-15DRS-7(1V,E,2,4)RS-4	PEORIA	32	19
CONTRACT NO. 68961				
ILLINOIS FED. AID PROJECT				