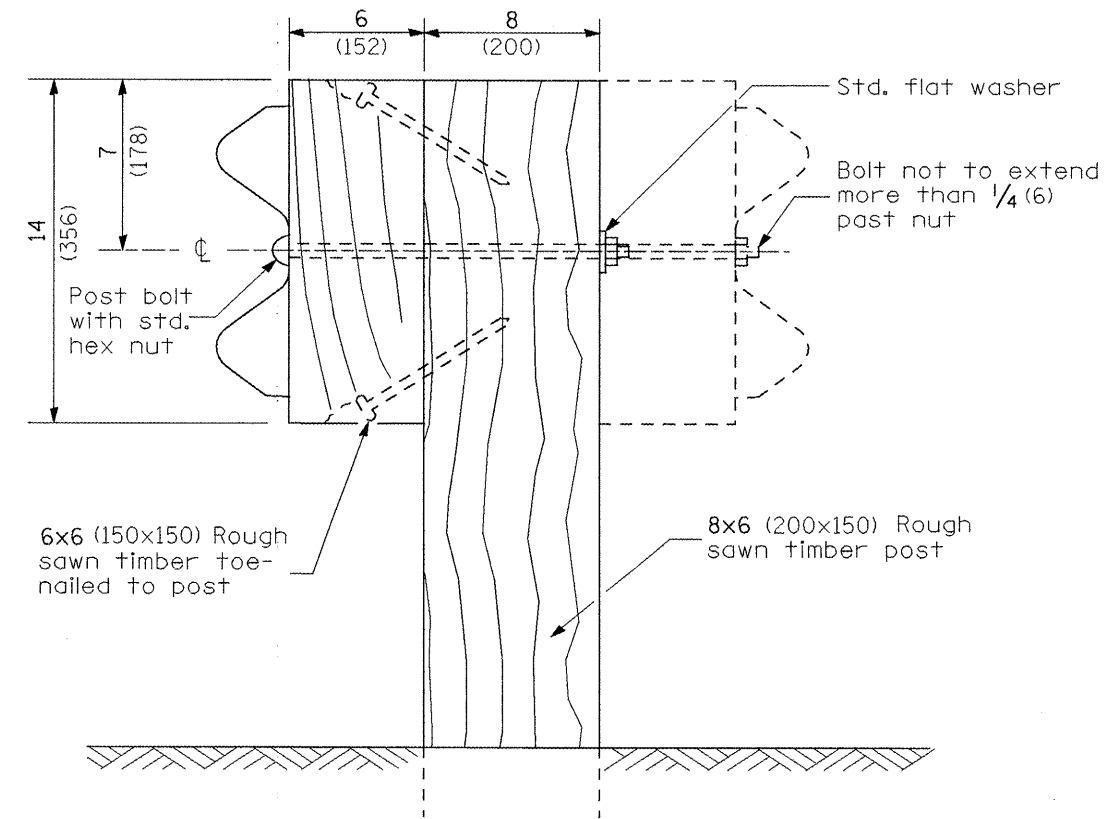
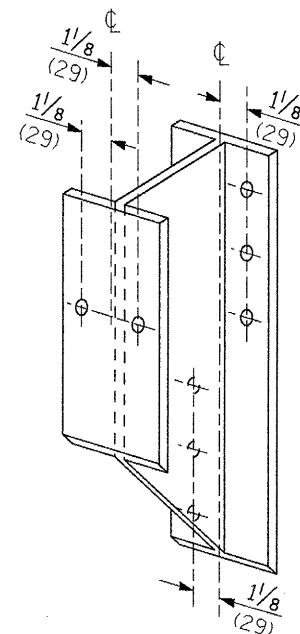


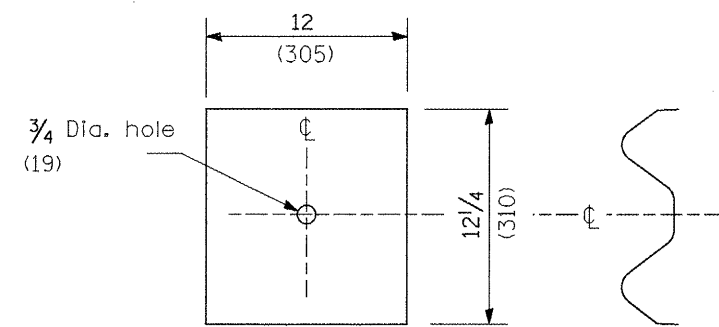
STEEL POST CONSTRUCTION



WOOD POST CONSTRUCTION



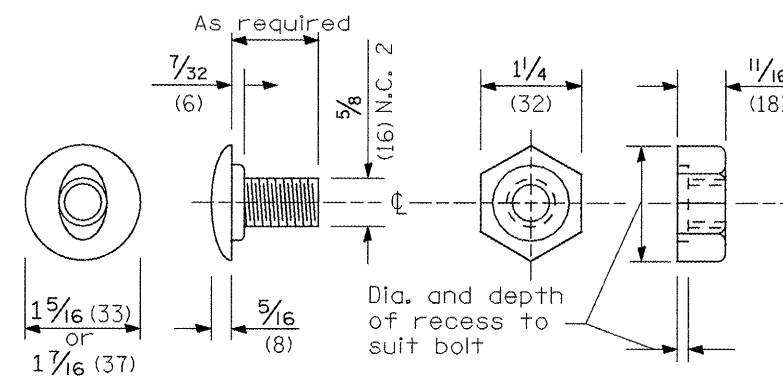
STEEL BLOCK-OUT DETAIL



NOTE

Plate A shall be placed between rail element and block-out at non-splice mounting points only when steel block-outs are used.

PLATE A



POST OR SPLICE BOLT & NUT

All dimensions are in inches (millimeters) unless otherwise noted.

FILE NAME = 68961 - Phase II.dgn	USER NAME = johnsontv	DESIGNED -	REVISED -	STATE OF ILLINOIS DEPARTMENT OF TRANSPORTATION	GUARDRAIL INSTALLATION DETAIL			F.A.S. RTE.	SECTION	COUNTY	TOTAL SHEETS	SHEET NO.
	PLOT SCALE = 100.0000 "/td> <td>DRAWN -</td> <td>REVISED -</td> <td>1388</td> <td>Z-CID-15DIRS-7(1V,E,2,4)RS-4J</td> <td>PEORIA</td> <td>32</td> <td>20</td>	DRAWN -	REVISED -		1388	Z-CID-15DIRS-7(1V,E,2,4)RS-4J	PEORIA	32	20			
	PLOT DATE = 3/18/2010	CHECKED -	REVISED -		CONTRACT NO. 68961				ILLINOIS FED. AID PROJECT			
				SCALE:	SHEET NO. 2 OF 4 SHEETS	STA.	TO STA.					