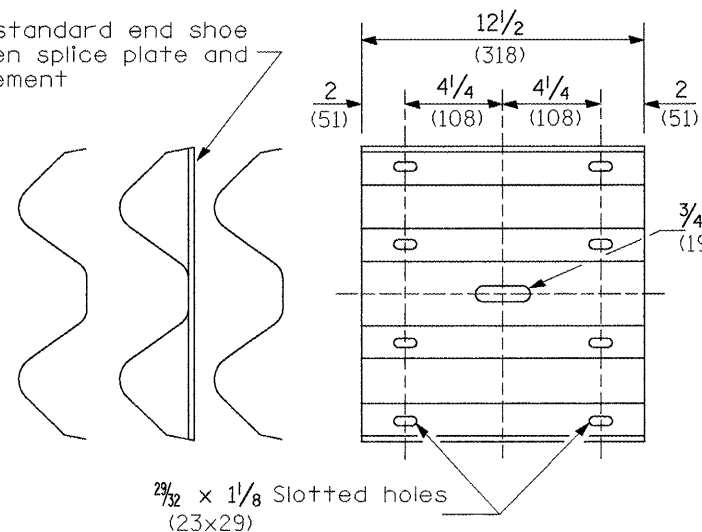
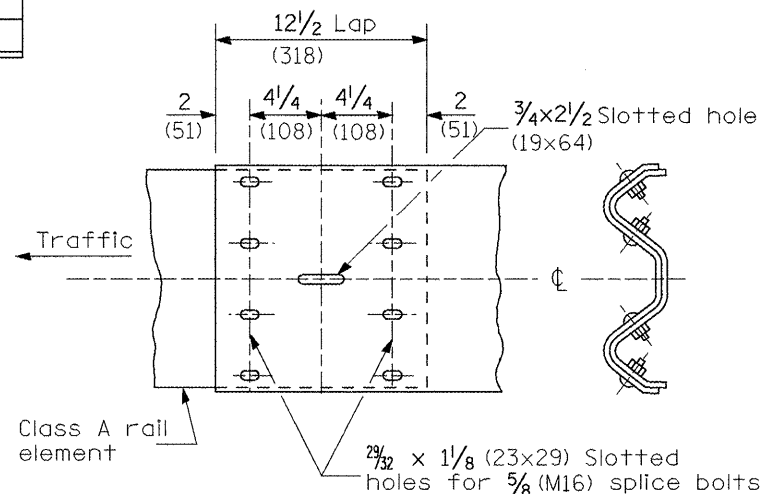


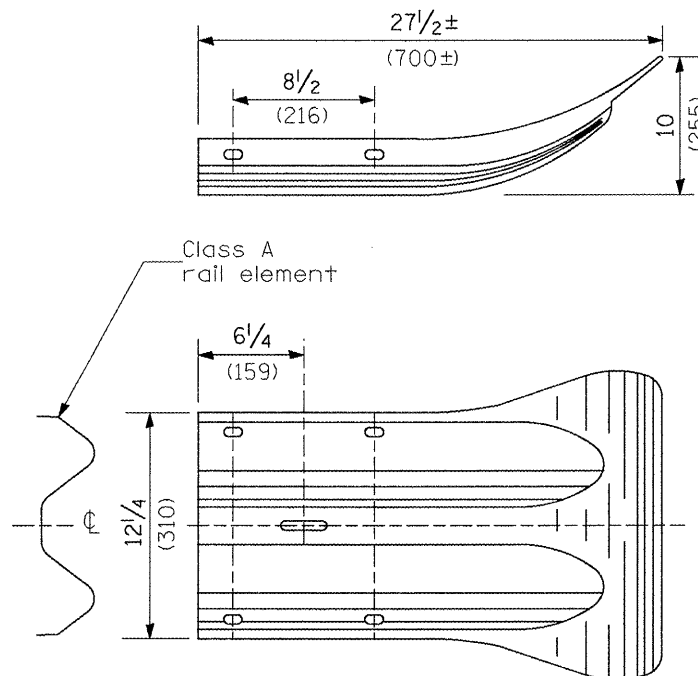
Place standard end shoe between splice plate and rail element



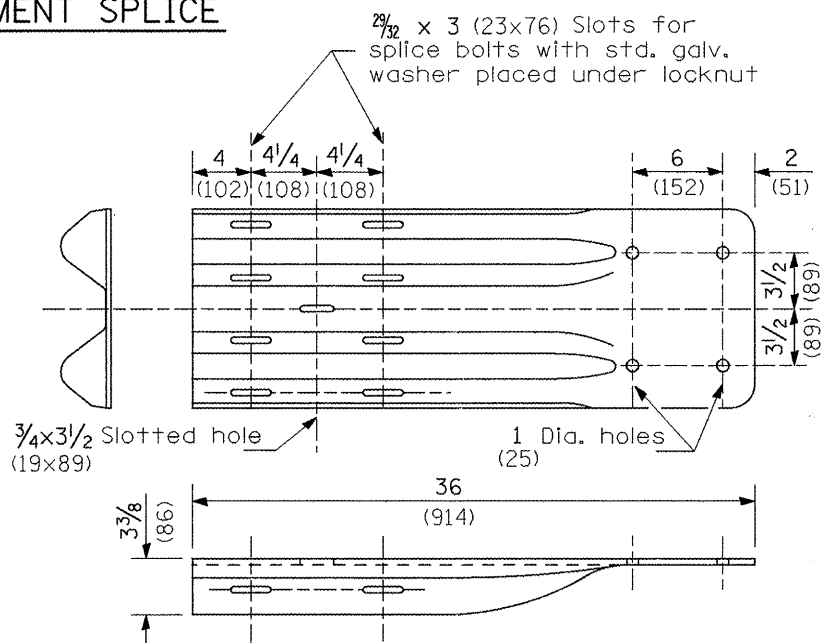
SPLICE PLATE



RAIL ELEMENT SPLICE



END SECTION



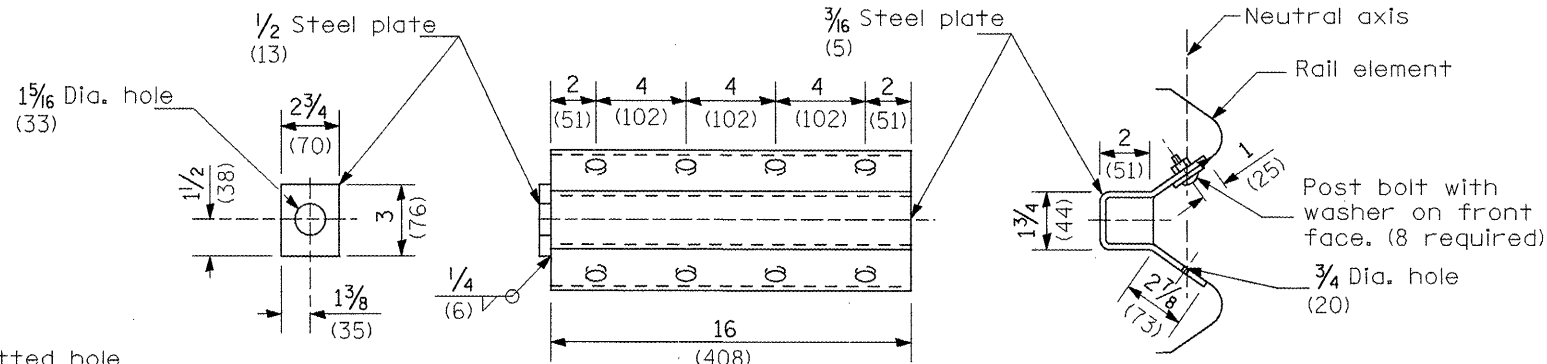
NOTE

When end shoe is attached to a bridge parapet which has an expansion joint, the bolts shall be provided with a locknut or double nut and shall be tightened only to a point that will allow guardrail movement.

The standard end shoe shall be attached to the concrete with pre-drilled or self-drilling anchor bolts. The anchor cone shall be set flush with the surface of the concrete.

Externally threaded studs protruding from the surface of the concrete will not be permitted.

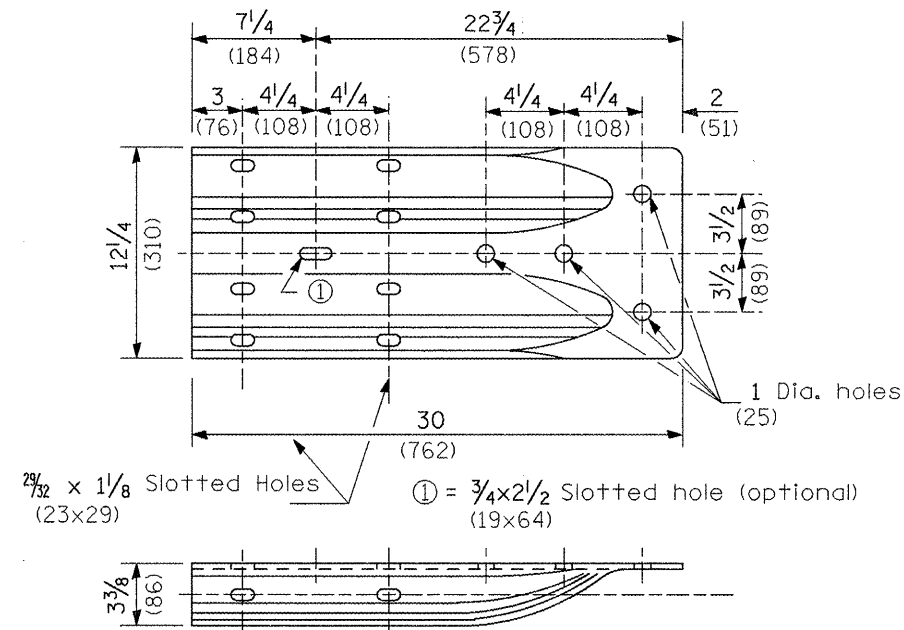
END SHOE



NOTE

Anchor plate T shall be used to attach cable assembly to guardrail when required on traffic barrier terminals.

ANCHOR PLATE T DETAILS



ALTERNATE END SHOE

All dimensions are in inches (millimeters) unless otherwise noted.

FILE NAME = 68961 - Phase II.dgn	USER NAME = johnsonv	DESIGNED -	REVISED -
		DRAWN -	REVISED -
		CHECKED -	REVISED -
		DATE -	REVISED -

**STATE OF ILLINOIS
DEPARTMENT OF TRANSPORTATION**

GUARDRAIL INSTALLATION DETAIL

SCALE: SHEET NO. 3 OF 4 SHEETS STA. TO STA.

F.A.S. RTE. 1388	SECTION Z-LID-15D/RS-7#1V,E,2,4/RS-4J	COUNTY PEORIA	TOTAL SHEETS 32	SHEET NO. 21
CONTRACT NO. 68961				
ILLINOIS FED. AID PROJECT				