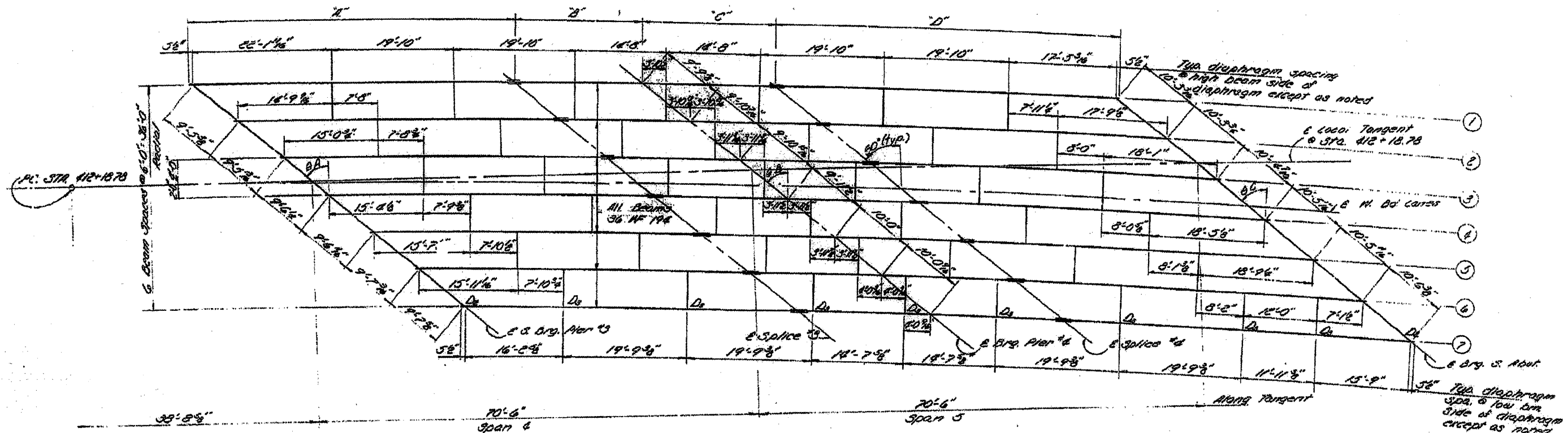
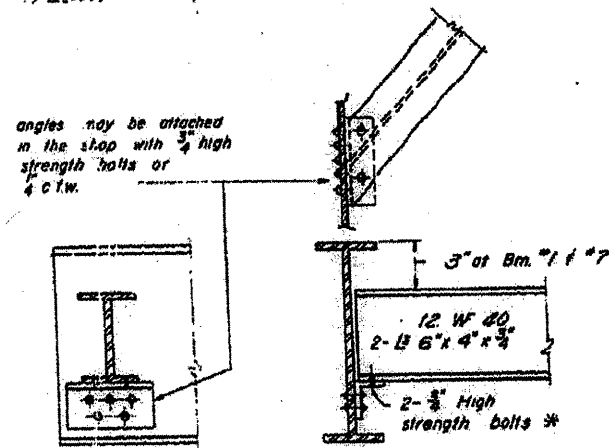


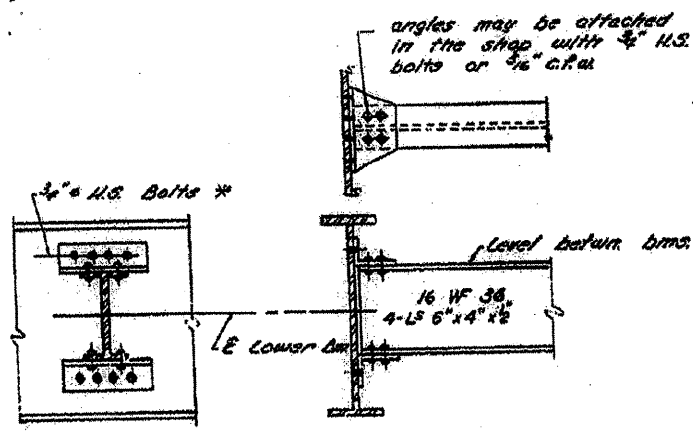
LOCATION 2 072-0135 FRAMING PLAN SPANS 4 & 5 FOR INFORMATION ONLY



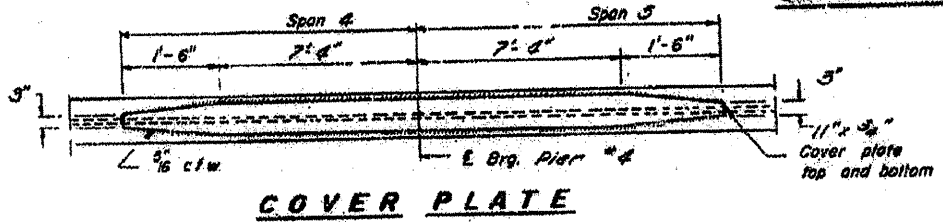
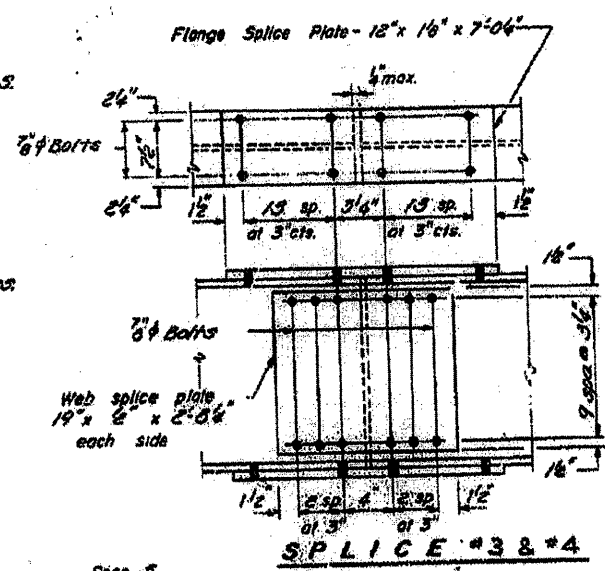
M.T.S.:
 Note: All diaphragms D_2 at wing radial lines. All dimensions along E of beams unless noted. Curve all beams to individual radii.



DIAPHRAGM D_2
12 Required



DIAPHRAGM D_3
43 Required



FILE NAME =	USER NAME = inglistj	DESIGNED - designed by	REVISED - revised by1	STATE OF ILLINOIS DEPARTMENT OF TRANSPORTATION	F.A. RTE.	SECTION	COUNTY	TOTAL SHEETS	SHEET NO.
Copy of 68398.dgn		DRAWN - drawn by	REVISED - revised by2		US 24/IL94	(45-VHB-111-1.2423-BRI-1	PEORIA & MERCER	16	9
		CHECKED - checked by	REVISED - revised by3		CONTRACT NO. 68975				
		DATE - checked date	REVISED - revised by4		SCALE:	SHEET NO.	OF SHEETS	STA.	TO STA.