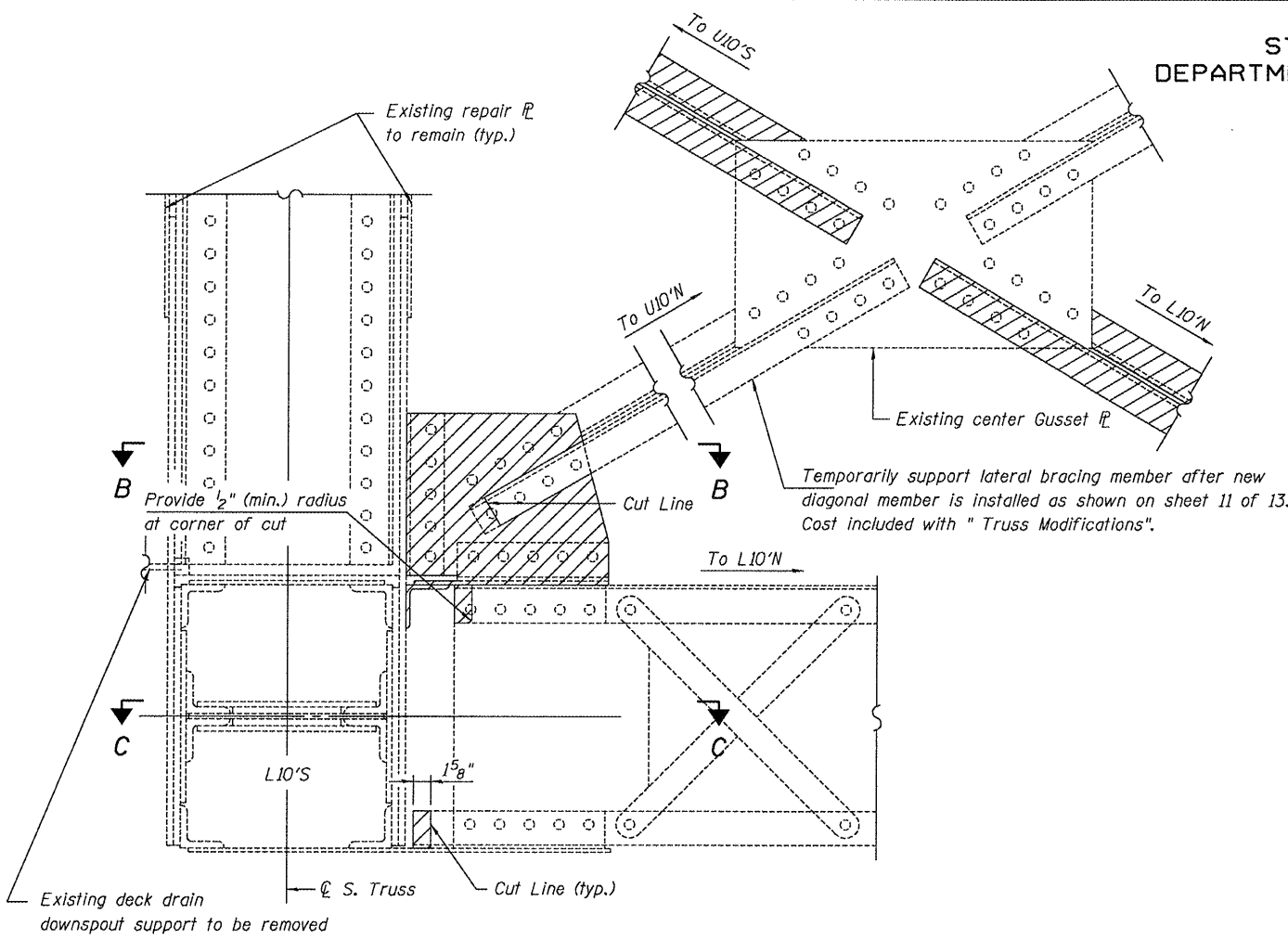
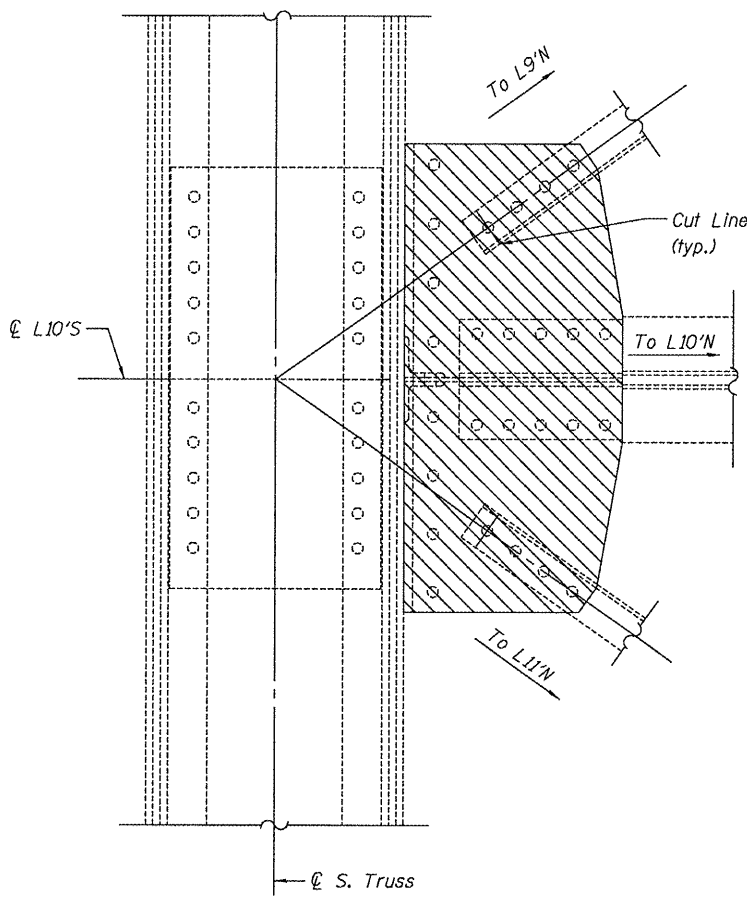


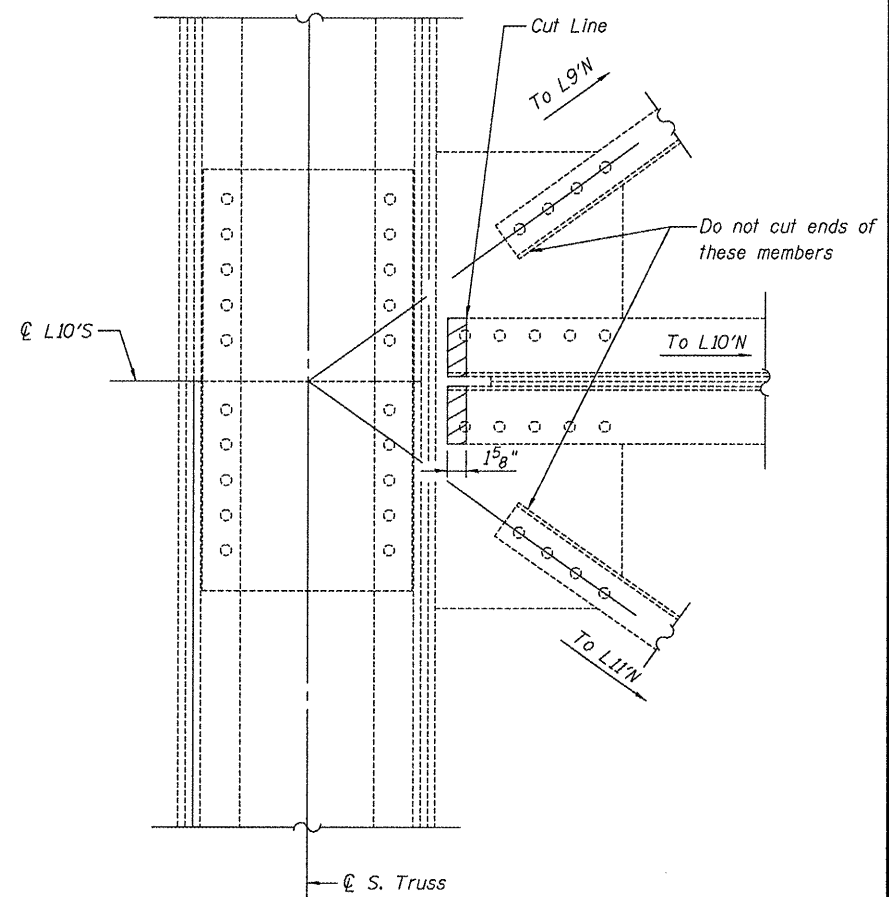
STATE OF ILLINOIS  
DEPARTMENT OF TRANSPORTATION



**SECTION A-A**



**SECTION B-B**



**SECTION C-C**

**Notes:**

Cut and remove 1 5/8" from end of existing lateral bracing member to remain in place after removal of existing connection angles and plates except as shown. Cut ends shall be ground smooth, cleaned and painted.

Hatched areas indicate removal of existing structural steel. Cost included with "Truss Modifications".

Work this sheet with sheet 9 and 11 thru 13 of 13.

**SPAN 15 L10'S GUSSET P REPAIR DETAILS  
STRUCTURE NO. 090-0030**

DESIGNED - SDS
CHECKED - FLL
DRAWN - DLH
CHECKED - SDS

**WHKS & CO.**  
ENGINEERING

7018 KINGSMILL CT.,  
SPRINGFIELD, IL  
(217) 483-9457  
DESIGN FIRM #184001036

•• PEORIA.

SHEET NO. 10 13 SHEETS	F.A. RTE.	SECTION	COUNTY	TOTAL SHEETS	SHEET NO.
	669	103B-I-5	**	18	15
			CONTRACT NO. 68987		
ILLINOIS FED. AID PROJECT					