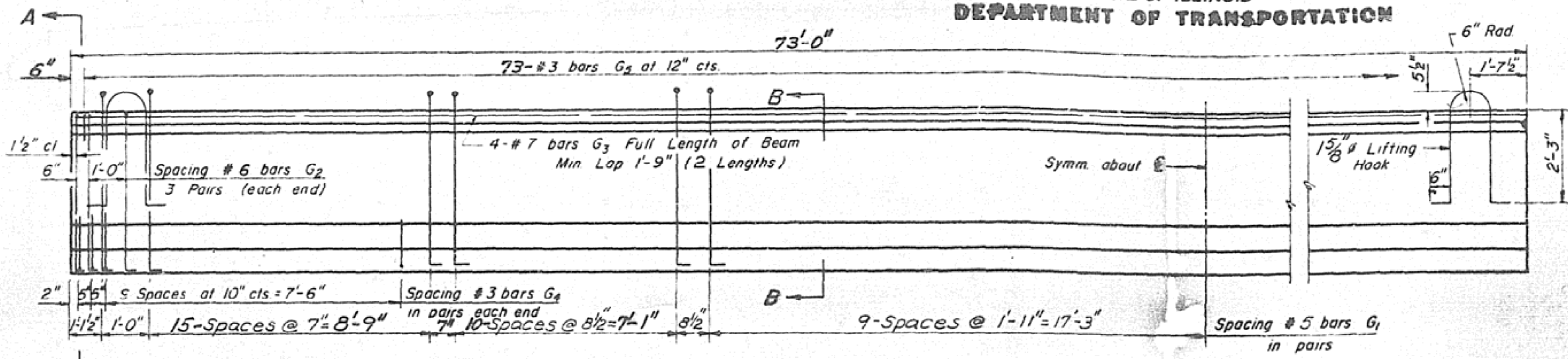


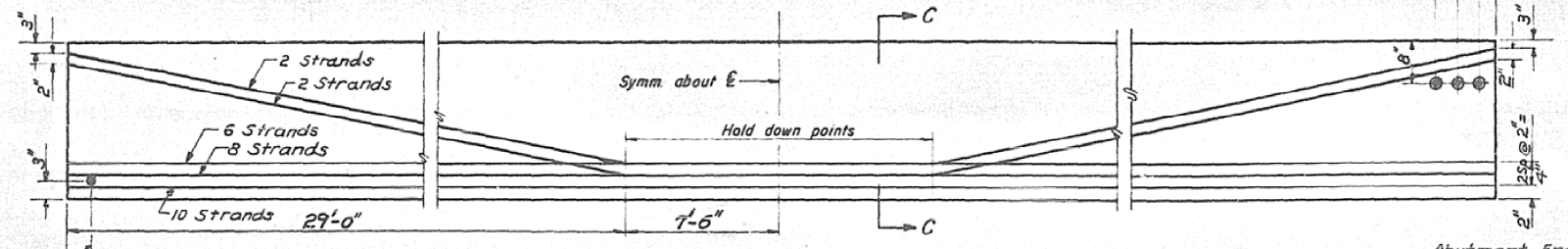
AS-BUILT PLANS FOR INFORMATION ONLY

STATE OF ILLINOIS
DEPARTMENT OF TRANSPORTATION

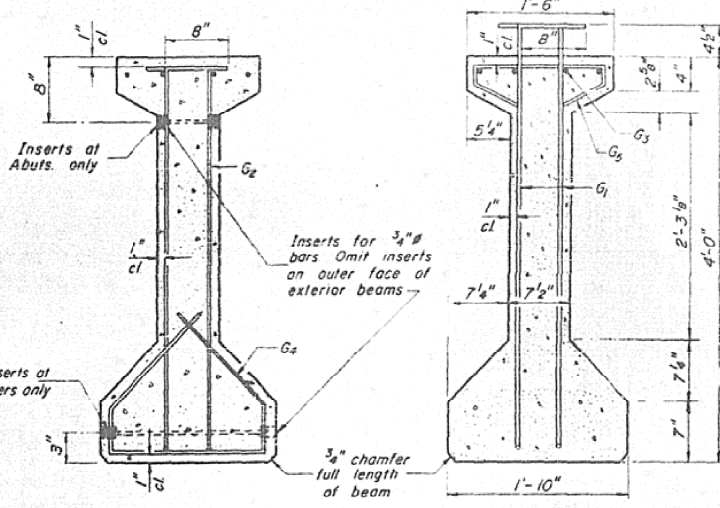
ROUTE NO.	SECTION	COUNTY	TOTAL SHEETS	SHEET NO.
65	124 BR	DEWITT	32	14
SHEET NO 5 15 SHEETS				



ELEVATION OF BEAMS-SPANS 1 & 3
Showing Reinforcement & Dimensions

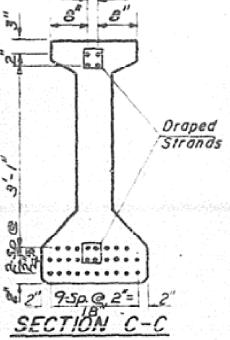


ELEVATION OF BEAMS-SPANS 1 & 3
Showing Prestressing Steel

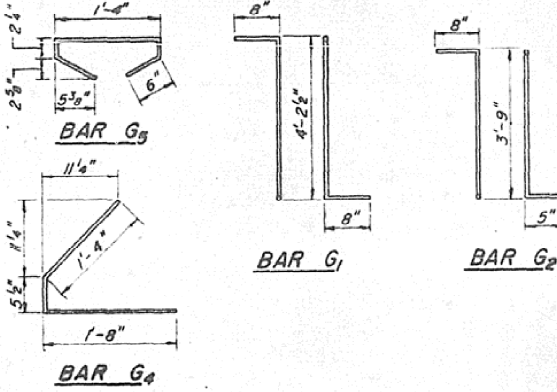


SECTION A-A

SECTION B-B



SECTION C-C



*BAR LIST

Bar	No	Size	Length	Shape
G1	150	#5	5'-6 1/2"	TL
G2	12	#6	4'-10"	TL
G3	8	#7	37'-4"	—
G4	4-8	#3	3'-5 1/2"	L
G5	7-3	#3	2'-8 1/2"	○

*For one beam only

BILL OF MATERIAL

Item	Unit	Total
Furnishing & Erecting Precast Prestressed Concrete I-Beams, 48"	Lin Ft	876

NOTES

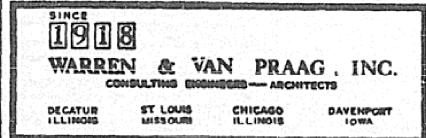
All inserts and threaded rods for inserts, reinforcing and Prestressing Steel, and other items which are cast into the Precast Concrete I-Beams shall be included in the contract unit price per lineal foot of "Furnishing And Erecting Precast Prestressed Concrete I-Beams, 48 In"

Prestressing Steel shall have a nominal diameter of 1/2".
Inserts for 3/8" threaded rods are to be two strut, coil type for interior I-Beams and single coil, flared for type for exterior I-Beams.
Steel for lifting hooks shall be non-deformed bars fy = 40,000 psi.

BEAMS SPANS 1 & 3
F.A. RT. 65 SECTION 124 BR.
DEWITT COUNTY
STA. 274 +16.50



DESIGNED **P. M. HOOD**
CHECKED **R. MATONE**
DRAWN **R. CUNNINGHAM**
CHECKED **P. M. HOOD**



PI-4-48 9-15-72

FILE NAME =	USER NAME =	DESIGNED -	REVISED -	STATE OF ILLINOIS DEPARTMENT OF TRANSPORTATION	AS-BUILT PLANS FOR INFORMATION ONLY	F.A.P. RTE.	SECTION	COUNTY	TOTAL SHEETS	SHEET NO.
ct:\pwork\PWIDDT\SIMSGM\d8179794\05705	31-shr-Bridge Repair Plans.dgn	DRAWN -	REVISED -			760	124 BR-1	DEWITT	23	14
PLOT SCALE = 41.6516 1/1 IN.	CHECKED -	REVISED -	REVISED -			CONTRACT NO. 70531				
PLOT DATE = 2/19/2010	DATE -	REVISED -	REVISED -			FED. ROAD DIST. NO. - ILLINOIS/FED. AID PROJECT				