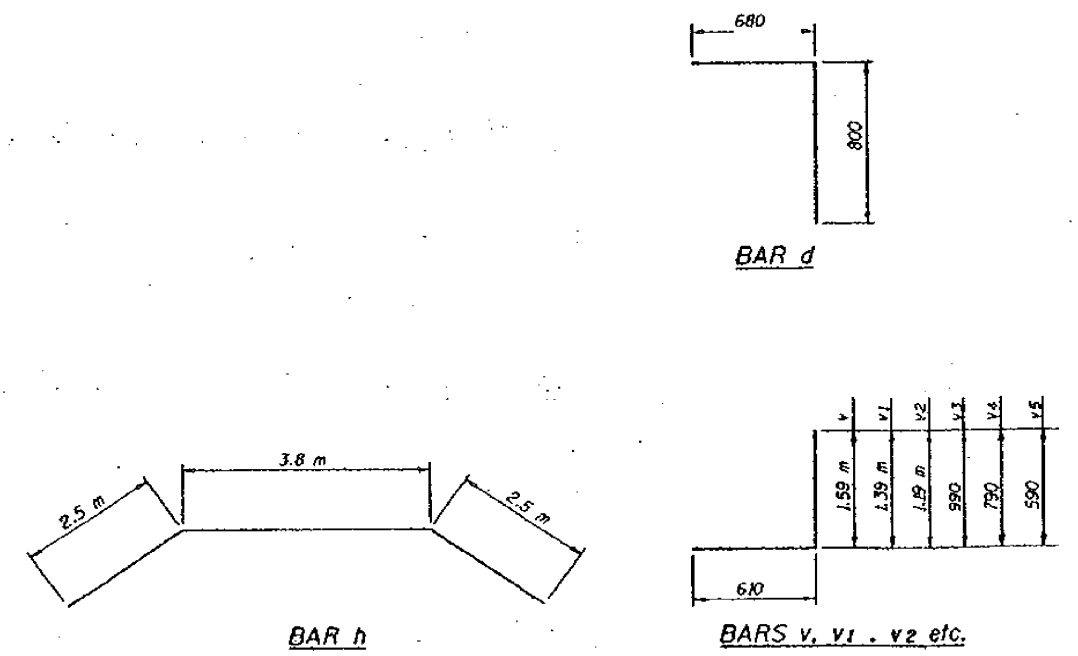
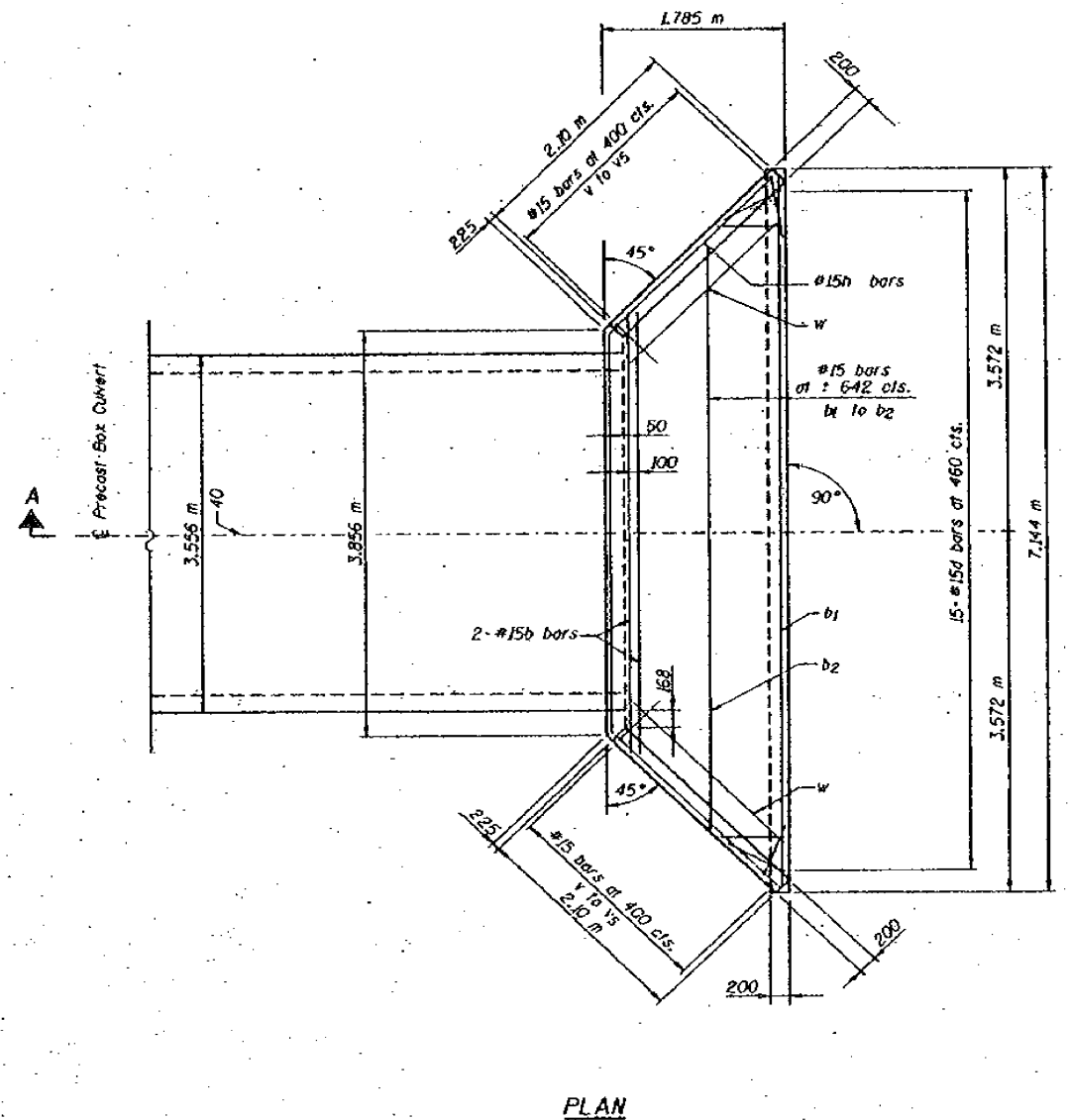
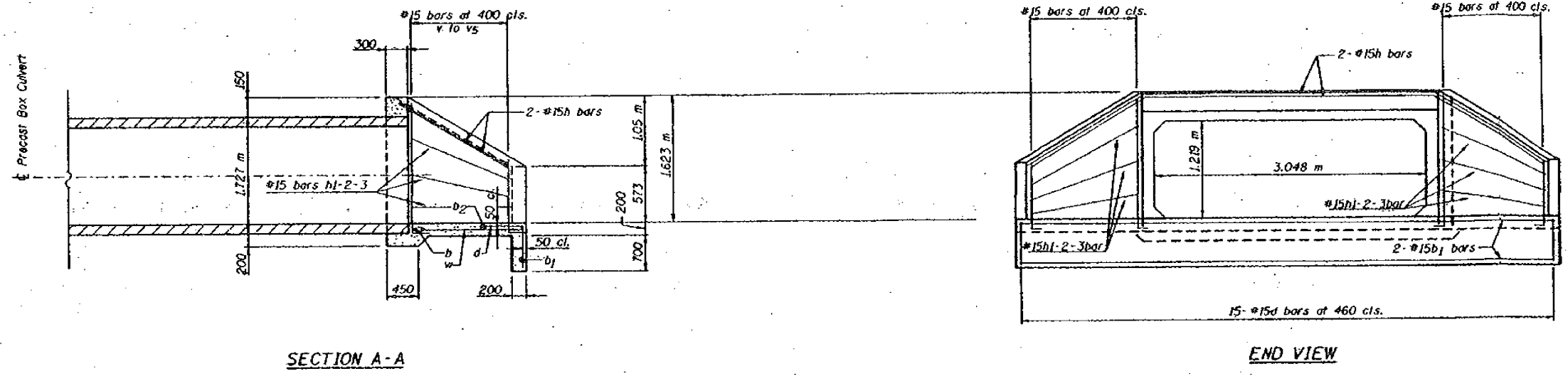


ROUTE NO.	SECTION	COUNTY	TOTAL SHEETS	SHEET NO.
FAP 323	a	00	108	90C
STA.		TO STA.		
FED. RD. DIST. NO.		ILLINOIS	PROJECT	
• (145, 146) RS-2 & 147 RS-4				
•• DOUGLAS & EDGAR				

NOTES
 All bars shall be round and shall conform to the requirements of Art. 1006.10 of the Standard Specifications.
 Class S1 Concrete Headwalls shall be used throughout.
 Build tops of headwalls parallel to grade line.
 The Precast Concrete Box Culvert Sections shall conform to the requirements of AASHTO M259.
 All dimensions are in millimeters (mm) unless otherwise noted.



BILL OF MATERIAL (ONE HEADWALL)

Bar	No.	Size	Length (m)	Shape
d	2	#15	4.513	—
b1	2	#15	7.05	—
b2	1	#15	5.9	—
d	15	#15	1.48	┘
h	2	#15	8.8	—
h1	2	#15	2.136	—
h2	2	#15	2.062	—
h3	2	#15	2.016	—
v	4	#15	2.2	┘
v1	2	#15	2.0	┘
v2	2	#15	1.8	┘
v3	2	#15	1.6	┘
v4	2	#15	1.4	┘
v5	2	#15	1.2	┘
w	2	#15	1.96	—
Reinforcement Bars			kg	173
Class S1 Conc Headwalls			Cu. m	4.4

FOR INFORMATION ONLY

BOX CULVERT END SECTIONS (CAST IN PLACE)
 STA. 39+008.225 0° SKEW

REVISIONS			STATE OF ILLINOIS DEPARTMENT OF TRANSPORTATION DIVISION OF HIGHWAYS		DATE KEB 12-99
1					
2					
3					
4					
5					
6					
7					
8					
9					
10					

FILE NAME =	USER NAME = bucklesjj	DESIGNED - RLA	REVISED -
et:\pwwork\pwwd01\BUCKLESJJ\d0134382\070676.sht-details.dgn		DRAWN - RLA	REVISED -
PLOT SCALE = 40.0000 / IN.		CHECKED - JMS	REVISED -
PLOT DATE = 3/22/2010		DATE - 11/2/09	REVISED -

STATE OF ILLINOIS
DEPARTMENT OF TRANSPORTATION

AS BUILT PLANS
FOR INFORMATION ONLY

SCALE: N/A SHEET NO. 2 OF 5 SHEETS STA. TO STA.

F.A.P. RTE.	SECTION	COUNTY	TOTAL SHEETS	SHEET NO.
323	(145,146)CR	DOUGLAS	36	21
CONTRACT NO. 70696				
ILLINOIS FED. AID PROJECT				