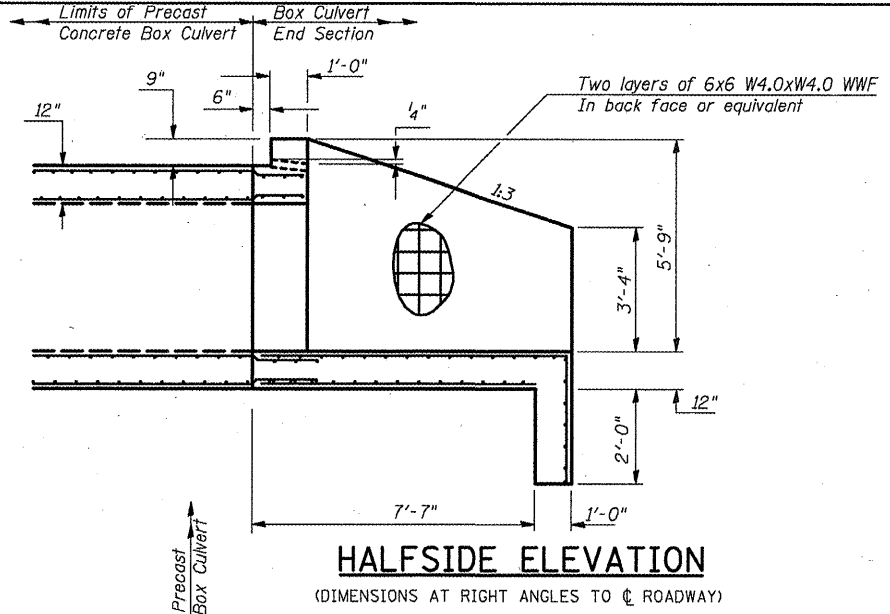
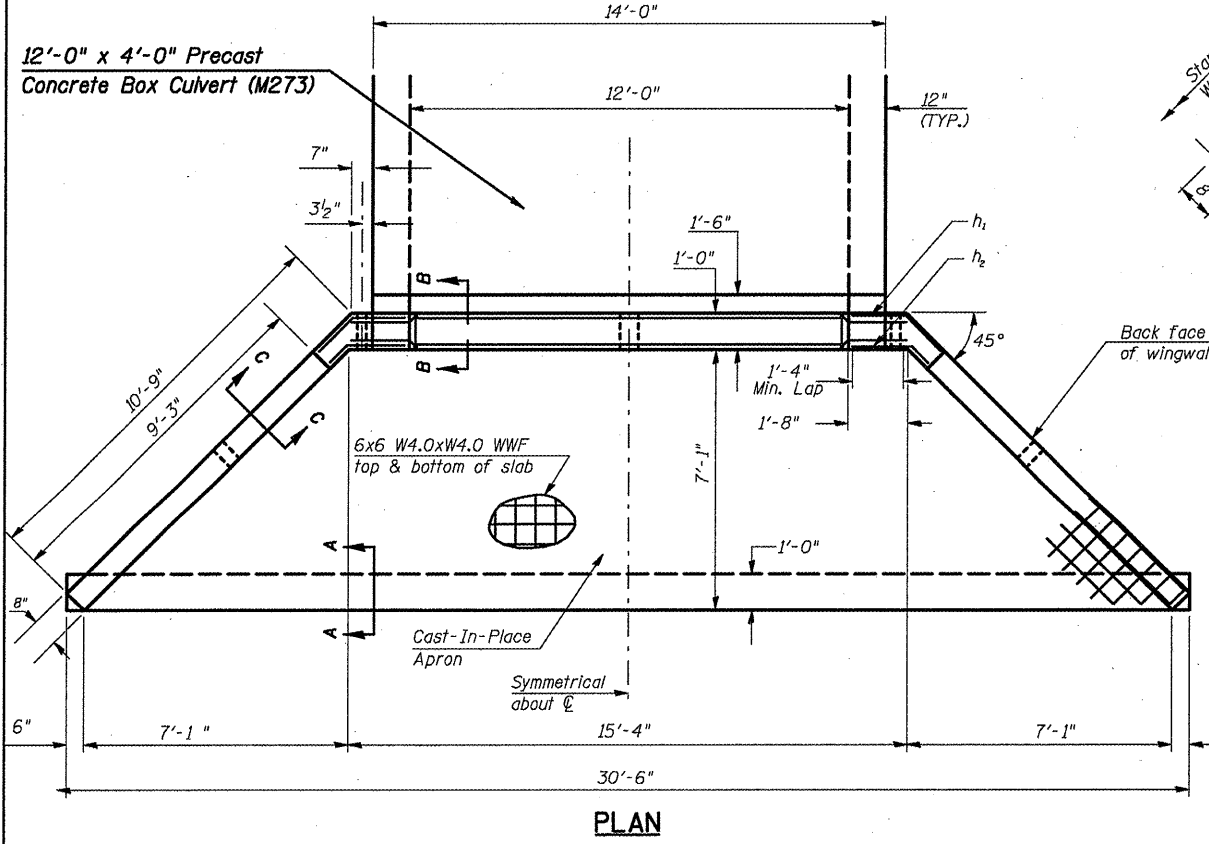


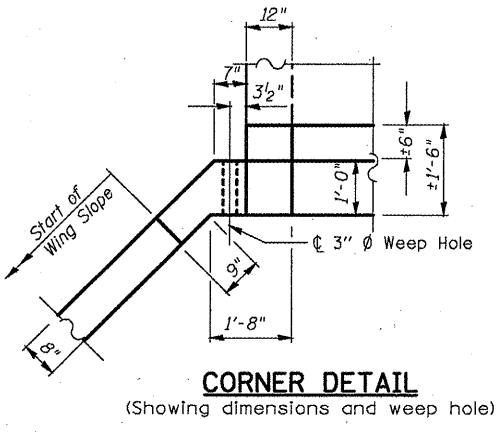
END ELEVATION



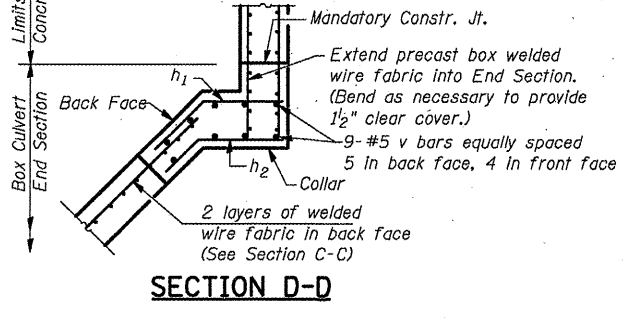
HALFSIDE ELEVATION
(DIMENSIONS AT RIGHT ANGLES TO C ROADWAY)



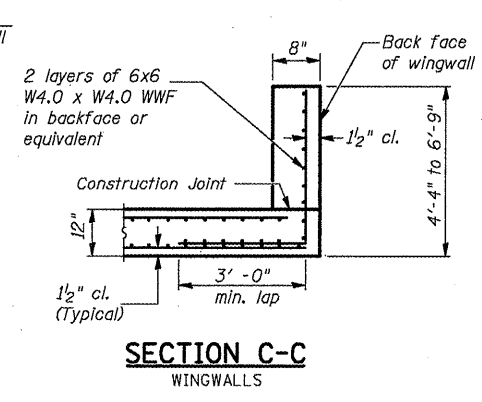
PLAN



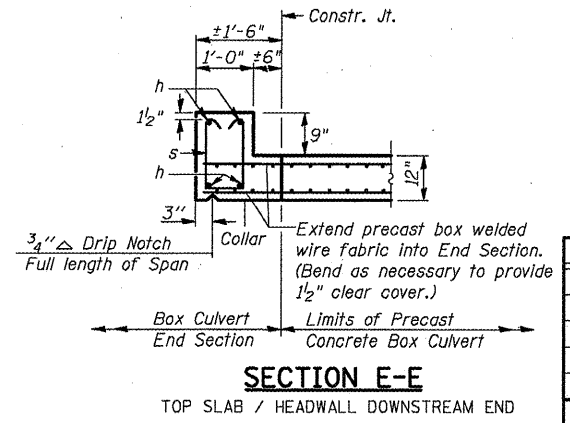
CORNER DETAIL
(Showing dimensions and weep hole)



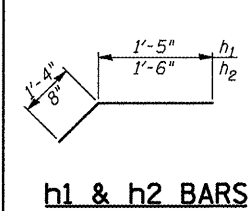
SECTION D-D



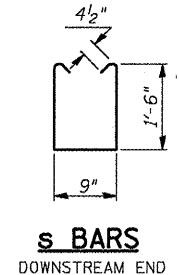
SECTION C-C
WINGWALLS



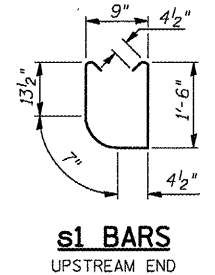
SECTION E-E
TOP SLAB / HEADWALL DOWNSTREAM END



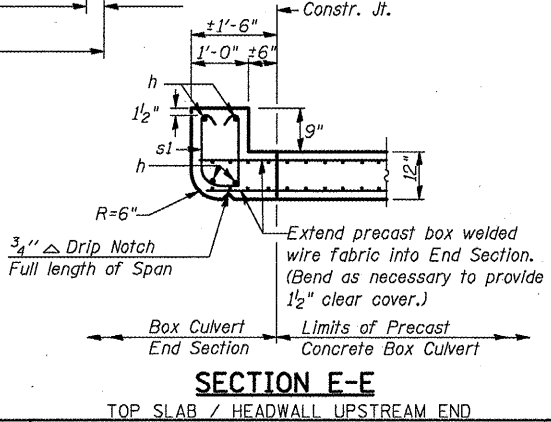
h1 & h2 BARS



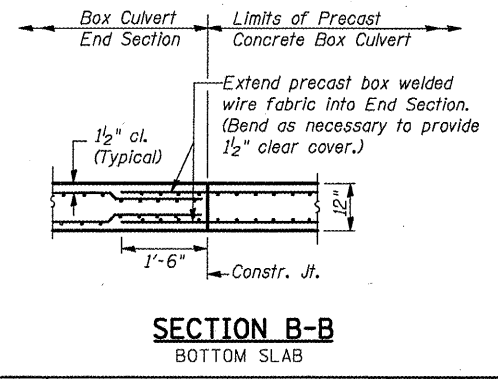
s BARS
DOWNSTREAM END



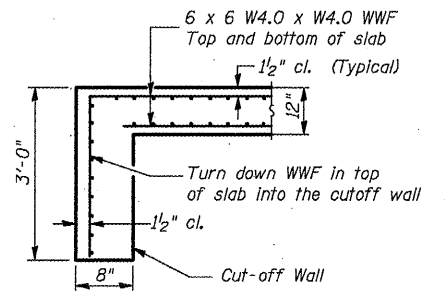
s1 BARS
UPSTREAM END



SECTION E-E
TOP SLAB / HEADWALL UPSTREAM END



SECTION B-B
BOTTOM SLAB



SECTION A-A
DOWNSTREAM END

BILL OF MATERIAL
For Information Only
(One End Section)

Bar	No.	Size	Length	Shape
h	4	#6	15'-1"	—
h1	12	#4	2'-9"	—
h2	12	#4	2'-2"	—
s or s1	13	#4	4'-6"	—
v	18	#5	6'-6"	—
Item		Unit	Total	
Concrete Box Culverts		Cu. Yd.	15.5	
Reinforcement Bars		Pound	329.0	
Welded Wire Fabric		Sq. Ft.	718.0	

GENERAL PLAN AND ELEVATION
SINGLE 12'x4' PRECAST BOX CULVERT
F.A.P. ROUTE 323 - SECTION (145,146)CR
DOUGLAS COUNTY
STATION 719+50.00 S.N. 021-8054
CULVERT NO. 3

FILE NAME =	USER NAME = buckleej	DESIGNED -	REVISED -
ca:\pwork\p\1007\BUCKLEBJ\08134382\078698-eh-detailed.dgn		DRAWN -	REVISED -
PLOT SCALE = 1/8" = 1' / DL		CHECKED -	REVISED -
PLOT DATE = 3/22/2010		DATE -	REVISED -

STATE OF ILLINOIS
DEPARTMENT OF TRANSPORTATION

BOX CULVERT END SECTION DETAILS
PROPOSED CULVERT NO. 3 - S.N. 021-8054
SCALE: N/A SHEET NO. 5 OF 5 SHEETS STA. TO STA.

F.A.P. RTE.	SECTION	COUNTY	TOTAL SHEETS	SHEET NO.
323	145,146CR	DOUGLAS	36	24
CONTRACT NO. 70696			ILLINOIS FED. AID PROJECT	