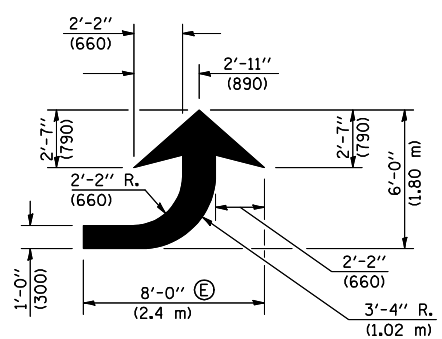


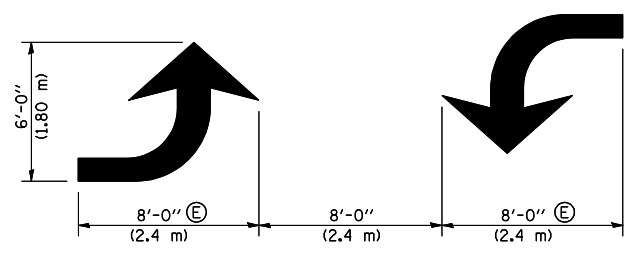
* REDUCE TO 40 FEET (12.2 METERS) ON CENTER ON CURVES WHERE ADVISORY SPEEDS ARE 10 MPH (15 km/h) LOWER THAN POSTED SPEEDS.

** DOUBLE LANE LINE MARKERS SHALL BE SPECIFIED AND SPACED AS SHOWN IN HIGHWAY STANDARD 781001 FOR MULTI-LANE DIVIDED AND UNDIVIDED HIGHWAYS.

- GENERAL NOTES:**
- ⓑ TURN ARROW PAIRS SHALL BE PLACED AT 250' (75 m) INTERVALS AND SHALL BE EVENLY SPACED BETWEEN BOTH ENDS OF THE BIDIRECTIONAL LEFT TURN LANE.
 - ⓒ THE SOLID YELLOW PAVEMENT MARKINGS [2] SHOULD GENERALLY START OR END NEAR THE RADIUS POINT OF EACH STREET RETURN EXCEPT WHERE ONE OR BOTH ENDS WOULD INCLUDE STOP BARS.
 - ⓓ THE SKIP-DASH PAVEMENT MARKINGS [1] OR [7] SHOULD BE CENTERED BETWEEN BOTH ENDS OF EACH CITY BLOCK AND SHALL BE PLACED SO THEY LINE UP ACROSS FROM EACH OTHER. SEE EXAMPLE ON SHEET 2 OF 3.
 - ⓔ USE LARGE ARROW SIZE FOR BOTH RURAL AND URBAN LOCATIONS. (SEE LAST PAGE OF SECTION 780x FOR SYMBOLS TABLE)

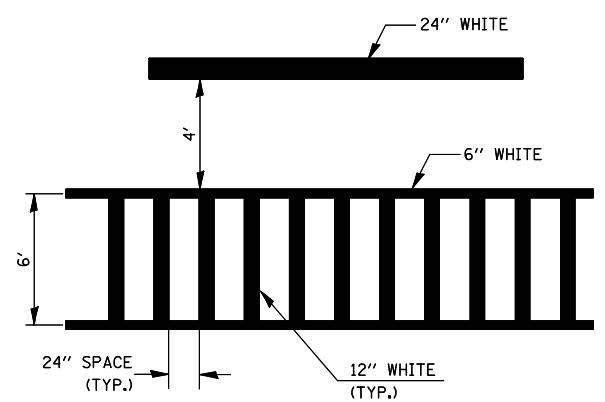


LEFT ARROW
 REVERSE FOR RIGHT ARROW
 AREA = 15.6 SQ. FT. (1.47 m²)
 (WHITE)

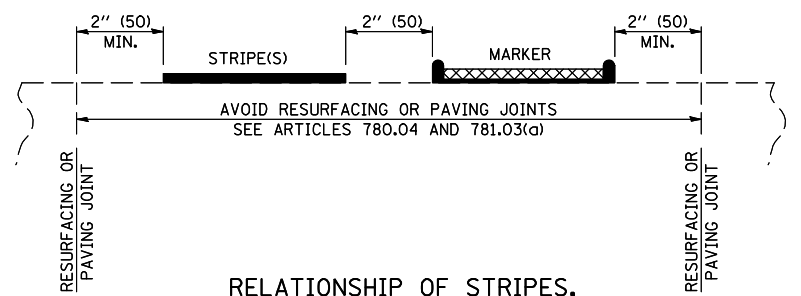


TYPICAL DOUBLE TURN ARROWS (WHITE)

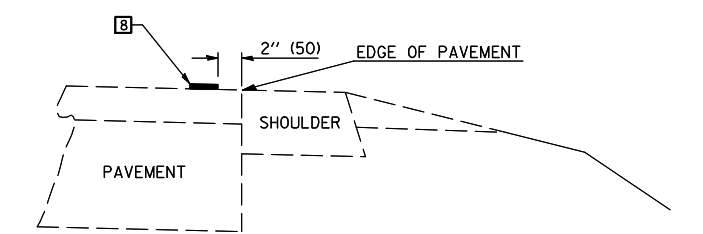
BLOOMINGTON-NORMAL CITY LIMITS ONLY



TYPICAL SPACING FOR CROSSWALKS & STOP BARS



RELATIONSHIP OF STRIPES, MARKERS AND JOINTS



RELATIONSHIP OF EDGE LINE TO EDGE OF PAVEMENT
 (SAFETY SHOULDER OR PAVED SURFACE)
 SEE ARTICLE 780.04

CROSSWALK WIDTH 6'-0" (1.8 m) OR AS SHOWN IN THE PLANS

Note: All dimensions are in INCHES (millimeters) unless otherwise shown.

FILE NAME =		USER NAME = hoganbj		DESIGNED - ---		REVISED - 11/06		STATE OF ILLINOIS DEPARTMENT OF TRANSPORTATION		PAVEMENT MARKING AND MARKERS (RURAL & URBAN APPLICATIONS)		F.A.P. RTE.		SECTION		COUNTY		TOTAL SHEETS		SHEET NO.	
DRAWN - ---		CHECKED - ---		DATE - ---		REVISED - 09/2009 - KJI						332		47RS-11		VERMILION		56		51	
PLOT SCALE = 40.0000' / IN.		PLOT DATE = 3/15/2010		DATE - ---		REVISED - ---						SCALE: -----		SHEET NO. 2. OF 4. SHEETS		STA. ----- TO STA. -----		FED. ROAD DIST. NO. - ILLINOIS FED. AID PROJECT		CONTRACT NO. 70709	

DISTRICT 5 DETAIL NO. 7800AAA