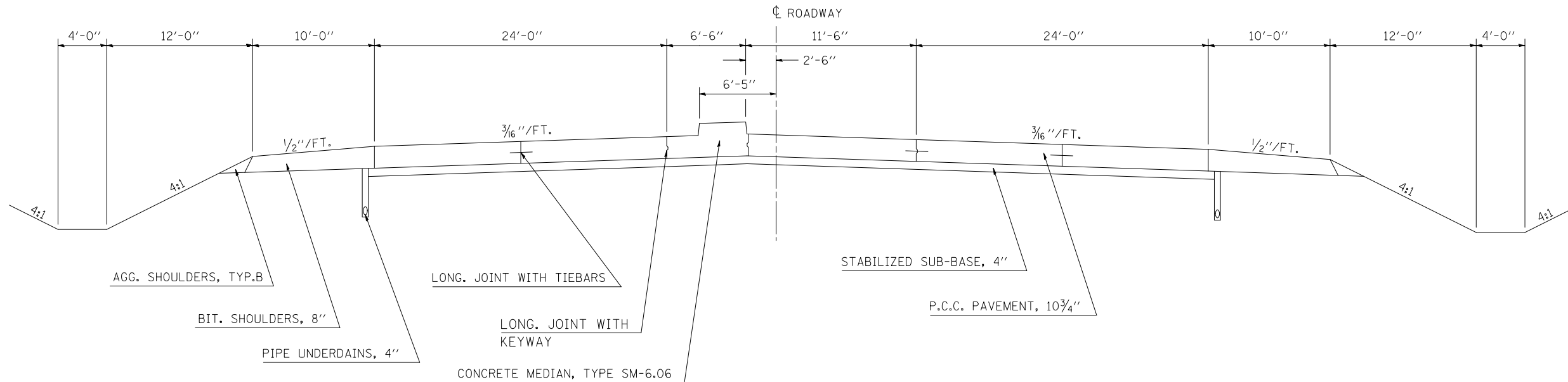


## EXISTING TYPICAL SECTION

STRUCTURE OMISSION  
S. N. 057-0073: SBL/NBL STA. 234+45.84 TO 239+19.16

STATION	TO	STATION
47+12.26		48+59.97
66+20.29		67+64.88
116+70.00		117+20.00
137+38.00		137+88.00
200+67.24		206+20.07
239+21.16		239+93.93

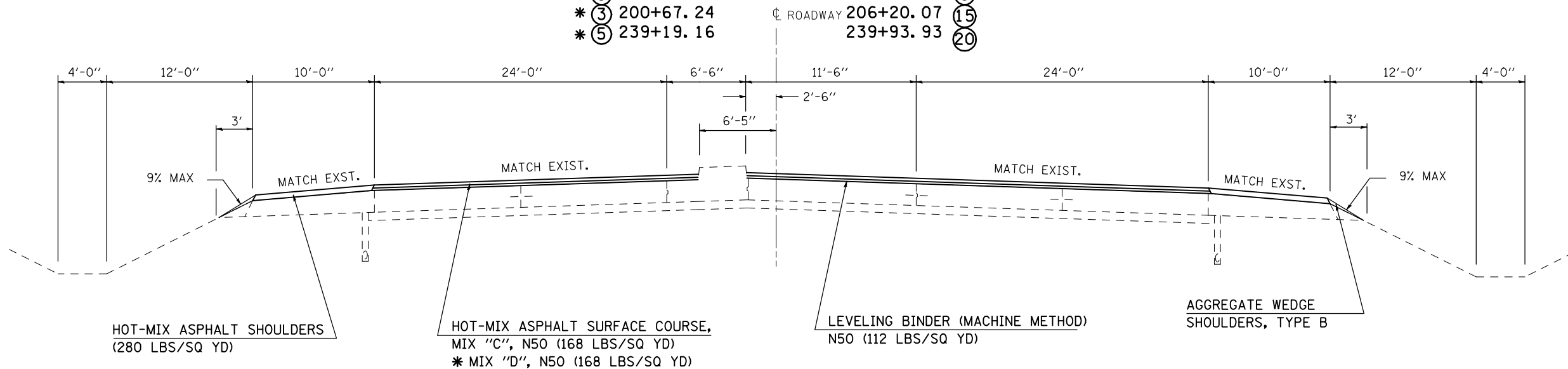


NOT TO SCALE

## 4 PROPOSED TYPICAL SECTION

STRUCTURE OMISSION  
S. N. 057-0073: SBL/NBL STA. 234+45.84 TO 239+19.16

STATION	TO	STATION
③ 47+12.26		⑤ 50+98.03
③ 66+20.29		⑧ 69+50.74
③ 116+70.00		⑧ 118+20.00
③ 137+38.00		⑧ 138+88.00
* ③ 200+67.24		⑮ 206+20.07
* ⑤ 239+19.16		⑳ 239+93.93



NOT TO SCALE