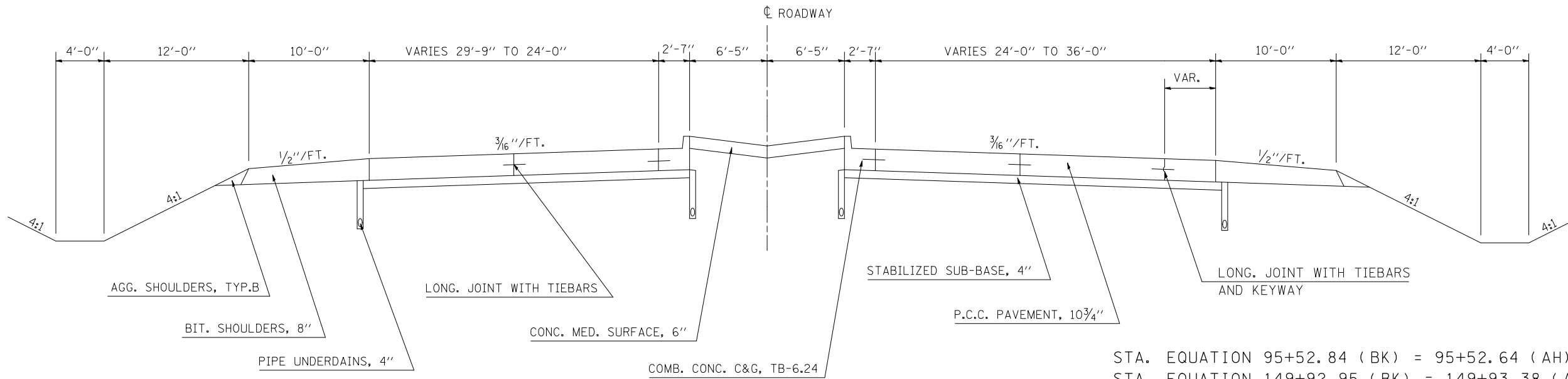


EXISTING TYPICAL SECTION

STATION	TO	STATION	STATION	TO	STATION	STATION	TO	STATION
54+74.48		63+90.29	100+83.96		105+63.84	131+30.50		135+08.00
69+50.74		73+24.00	109+34.00		114+40.00	138+88.00		150+53.40
76+04.00		97+33.78	118+20.00		127+67.34	154+35.98		155+00.00

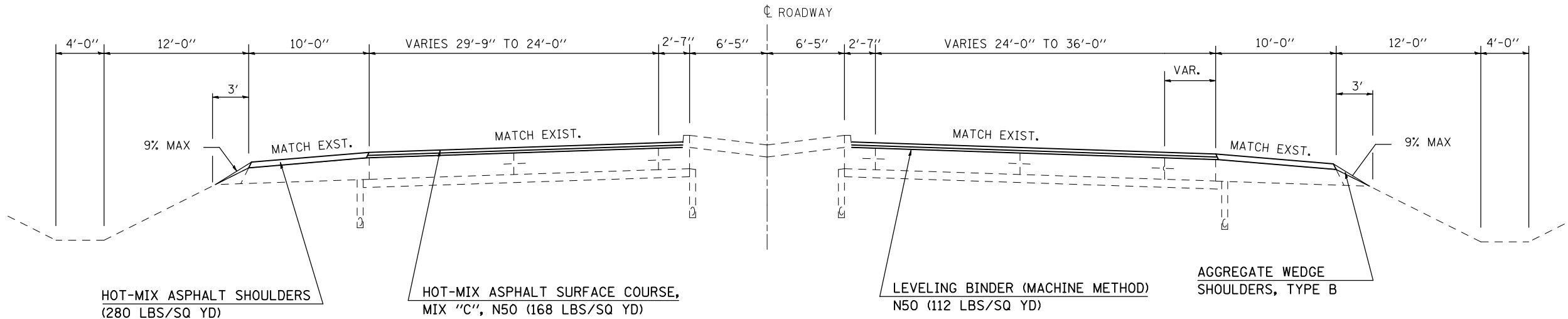


STA. EQUATION 95+52.84 (BK) = 95+52.64 (AH)
 STA. EQUATION 149+92.95 (BK) = 149+93.38 (AH)

NOT TO SCALE

8 PROPOSED TYPICAL SECTION

STATION	TO	STATION	STATION	TO	STATION	STATION	TO	STATION
⑧ 54+74.48		63+90.29 ②	⑦ 100+83.96		105+63.84 ⑤	⑦ 131+30.50		135+08.00 ②
④ 69+50.74		73+24.00 ⑤	⑦ 109+34.00		114+40.00 ②	③ 138+88.00		150+53.40 ⑤
⑦ 76+04.00		97+33.78 ⑤	④ 118+20.00		127+67.34 ⑤	⑦ 154+35.98		155+00.00 ⑨



STA. EQUATION 95+52.84 (BK) = 95+52.64 (AH)
 STA. EQUATION 149+92.95 (BK) = 149+93.38 (AH)

NOT TO SCALE