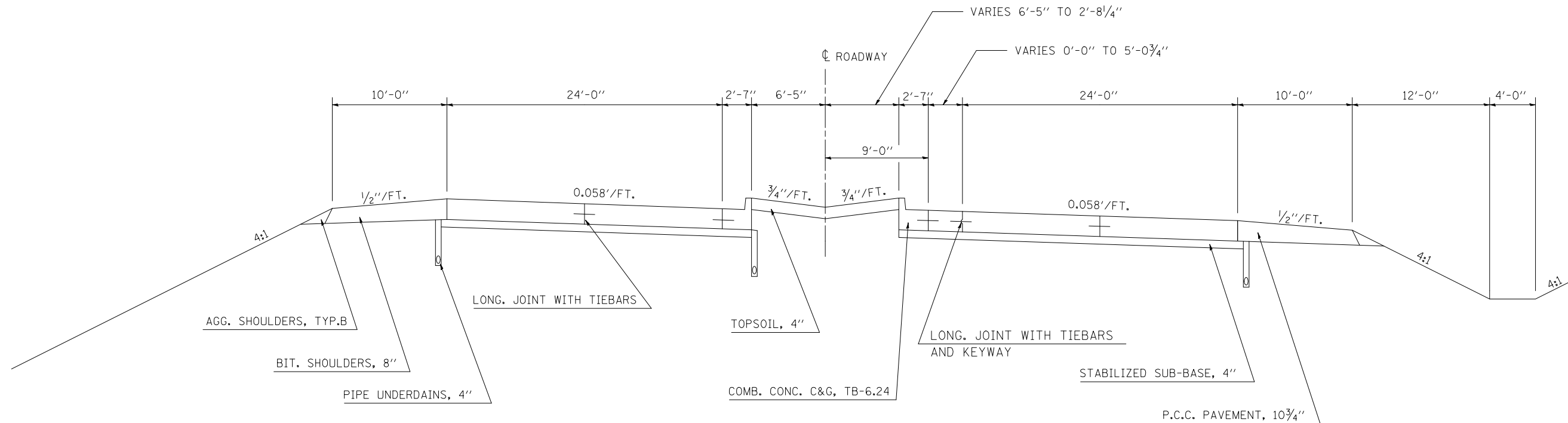


EXISTING TYPICAL SECTION

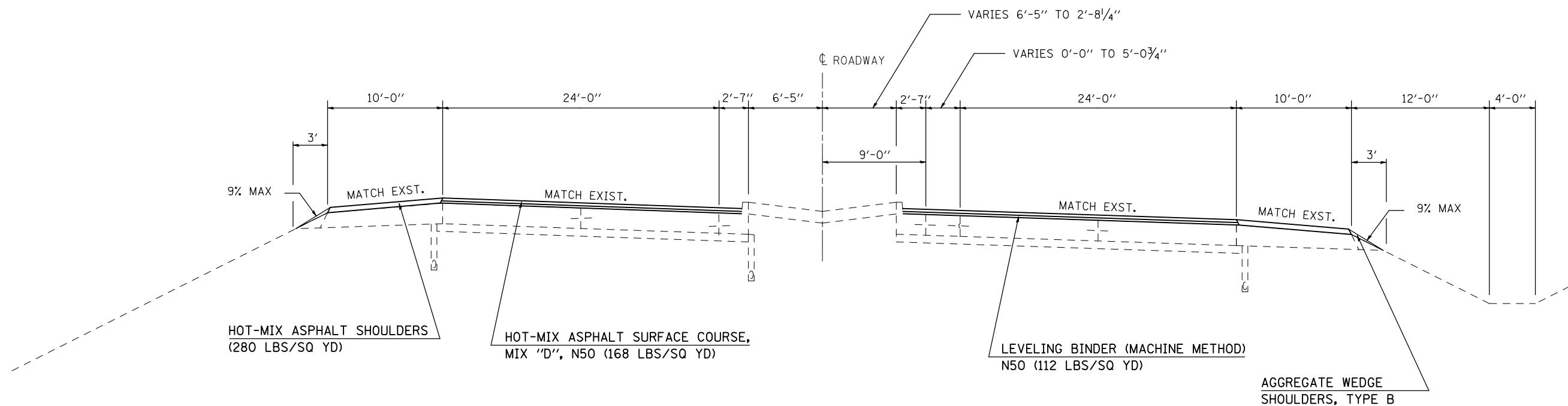
STATION 167+63.00 TO STATION 168+37.67



NOT TO SCALE

11 PROPOSED TYPICAL SECTION

10 STATION 167+63.00 TO STATION 168+37.67 12



NOT TO SCALE

FILE NAME =	USER NAME = shererjm	DESIGNED - JMS	REVISED -	STATE OF ILLINOIS DEPARTMENT OF TRANSPORTATION	EXISTING & PROPOSED TYPICAL SECTIONS			F.A.P. RTE.	SECTION	COUNTY	TOTAL SHEETS	SHEET NO.
ct:\pw\work\PWIDOT\SHERERJM\0109813\0570768-shr-typical.dgn		DRAWN - JMS	REVISED -		676	(9-1,9)RS	MCLEAN	81	18			
PLOT SCALE = 100.0000' / IN.		CHECKED -	REVISED -		SCALE: NO SCALE SHEET NO. 11 OF 25 SHEETS STA. TO STA.			CONTRACT NO. 70768				
PLOT DATE = 2/25/2010		DATE - 050609	REVISED -		FED. ROAD DIST. NO. ILLINOIS FED. AID PROJECT							