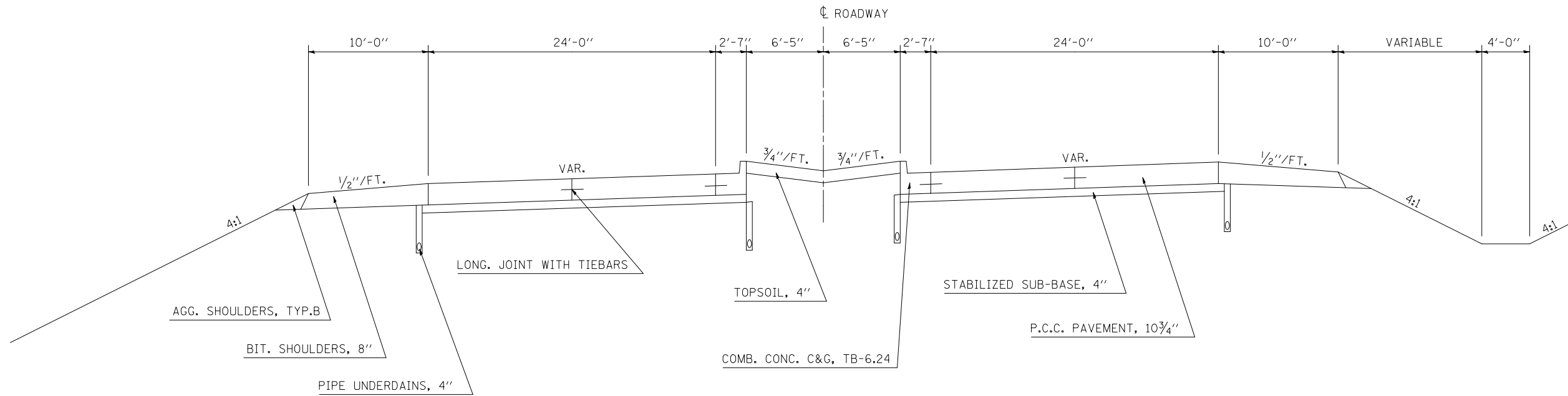


EXISTING TYPICAL SECTION

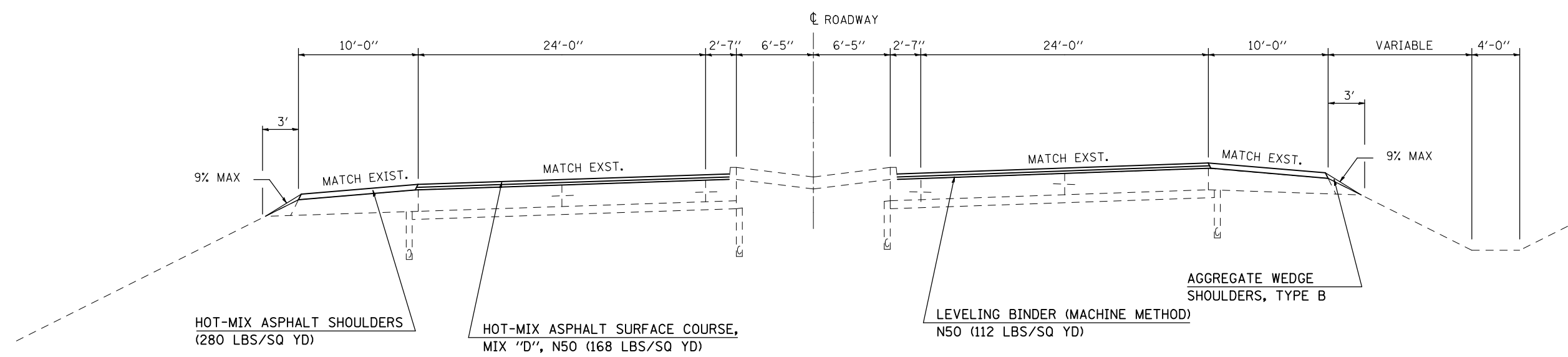
STATION	TO	STATION
175+84.43		186+41.46
208+27.22		213+63.84
225+60.12		232+89.32



NOT TO SCALE

14 PROPOSED TYPICAL SECTION

STATION	TO	STATION
13 175+84.43		186+41.46 9
16 208+27.22		213+63.84 9
19 225+60.12		232+89.32 5



NOT TO SCALE

FILE NAME =	USER NAME = shererjm	DESIGNED - JMS	REVISED -	STATE OF ILLINOIS DEPARTMENT OF TRANSPORTATION	EXISTING & PROPOSED TYPICAL SECTIONS			F.A.P. RTE.	SECTION	COUNTY	TOTAL SHEETS	SHEET NO.
ct\pwork\pwork\DOT\SHERERJM\0109813\0570768-shr-typical.dgn		DRAWN - JMS	REVISED -		676	(9-1,9)RS	MCLEAN	81	21			
PLOT SCALE = 100.0000' / IN.		CHECKED -	REVISED -		SCALE: NO SCALE SHEET NO. 14 OF 25 SHEETS STA. TO STA.			CONTRACT NO. 70768				
PLOT DATE = 2/24/2010		DATE - 050609	REVISED -		FED. ROAD DIST. NO. ILLINOIS FED. AID PROJECT							