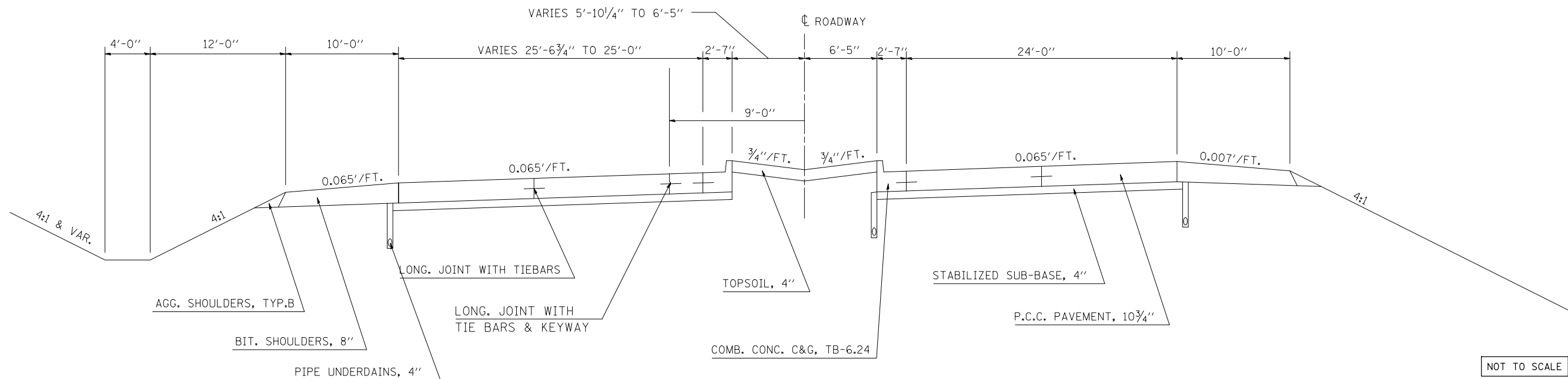


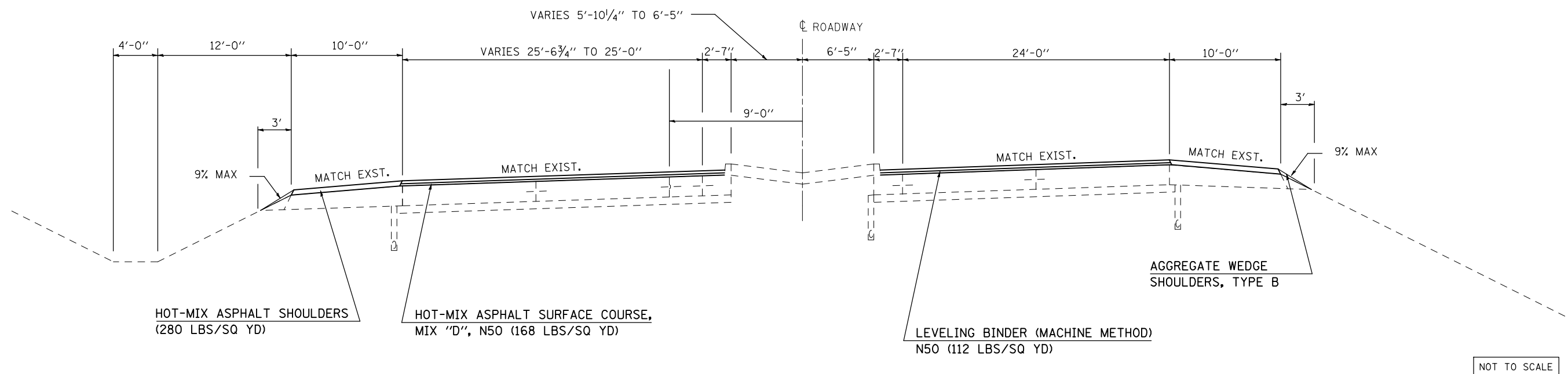
## EXISTING TYPICAL SECTION

STATION TO STATION  
207+75.90 TO 208+27.22



## 16 PROPOSED TYPICAL SECTION

STATION TO STATION  
15 207+75.90 TO 208+27.22 14



FILE NAME =	USER NAME = shererjm	DESIGNED - JMS	REVISED -	<b>STATE OF ILLINOIS DEPARTMENT OF TRANSPORTATION</b>	<b>EXISTING &amp; PROPOSED TYPICAL SECTIONS</b>			F.A.P. RTE.	SECTION	COUNTY	TOTAL SHEETS	SHEET NO.
ct:\pwork\pwork\DOT\SHERERJM\0109813\0570768-shr-typical.dgn		DRAWN - JMS	REVISED -		676	(9-1,9)RS	MCLEAN	81	23			
PLOT SCALE = 100.0000' / IN.		CHECKED -	REVISED -		SCALE: NO SCALE   SHEET NO. 16 OF 25 SHEETS   STA. TO STA.			CONTRACT NO. 70768				
PLOT DATE = 2/24/2010		DATE - 050609	REVISED -		FED. ROAD DIST. NO.   ILLINOIS FED. AID PROJECT							