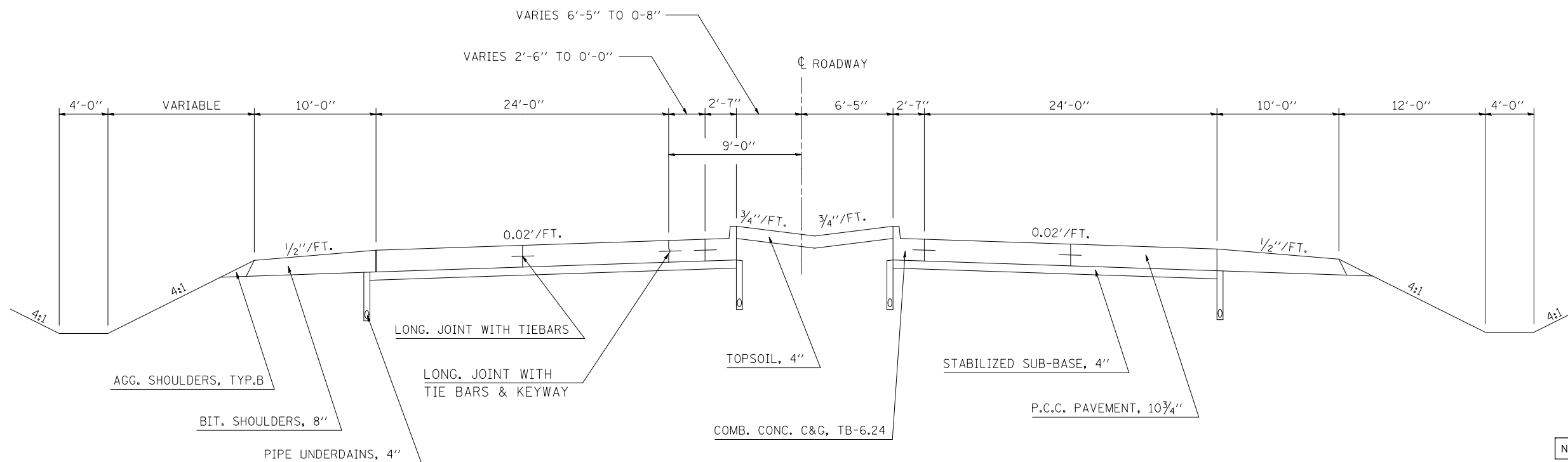


EXISTING TYPICAL SECTION

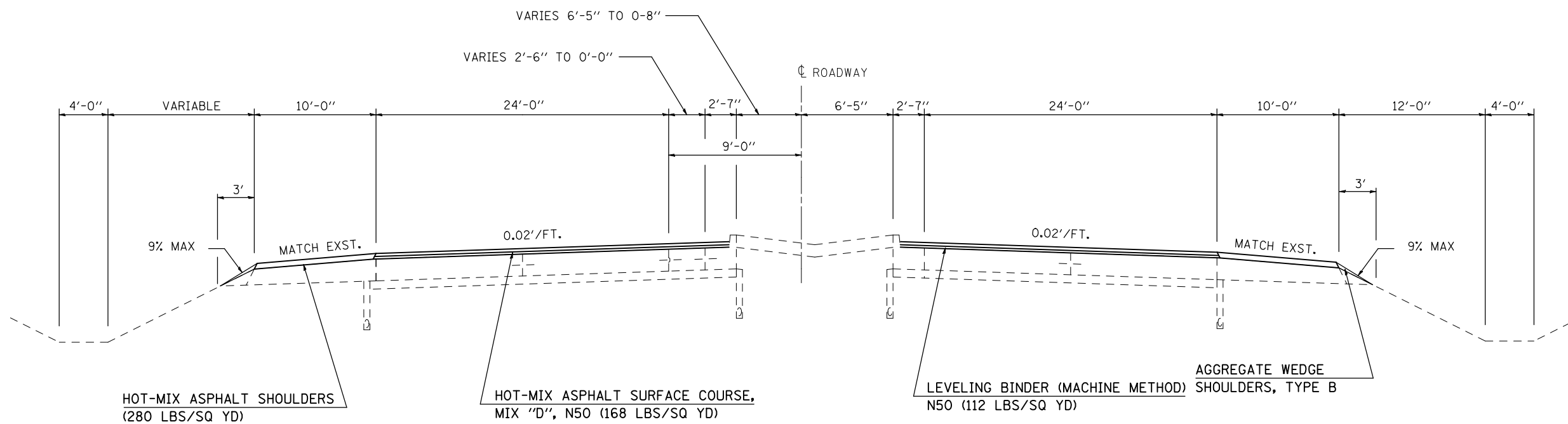
STATION 223+80.73 TO STATION 225+60.12



NOT TO SCALE

19 PROPOSED TYPICAL SECTION

STATION 223+80.73 TO STATION 225+60.12



NOT TO SCALE

FILE NAME =	USER NAME = shererjm	DESIGNED - JMS	REVISED -	STATE OF ILLINOIS DEPARTMENT OF TRANSPORTATION	EXISTING & PROPOSED TYPICAL SECTIONS			F.A.P. RTE.	SECTION	COUNTY	TOTAL SHEETS	SHEET NO.	
ct:\pw\work\PWIDOT\SHERERJM\00109813\0570768-shr-typical.dgn		DRAWN - JMS	REVISED -		SCALE: NO SCALE	SHEET NO. 19 OF 25 SHEETS	STA.	TO STA.	676	(9-1,9)RS	MCLEAN	81	26
		CHECKED -	REVISED -					CONTRACT NO. 70768					
		DATE - 050609	REVISED -										

FED. ROAD DIST. NO. ILLINOIS FED. AID PROJECT