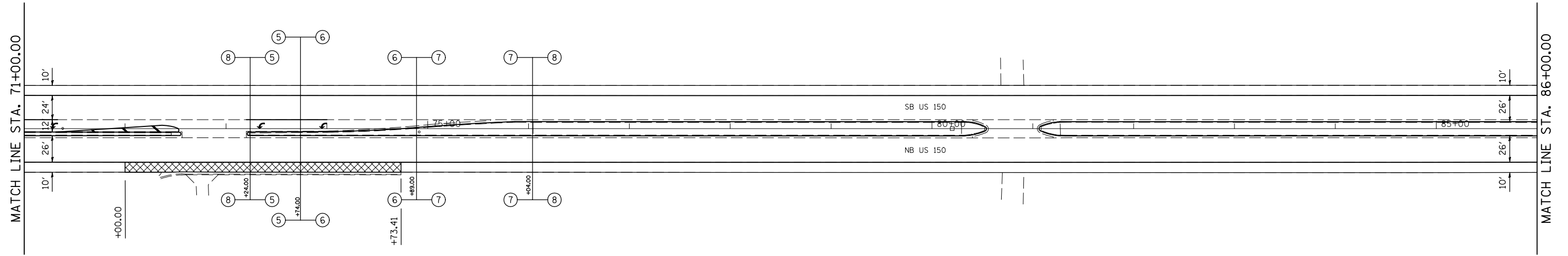
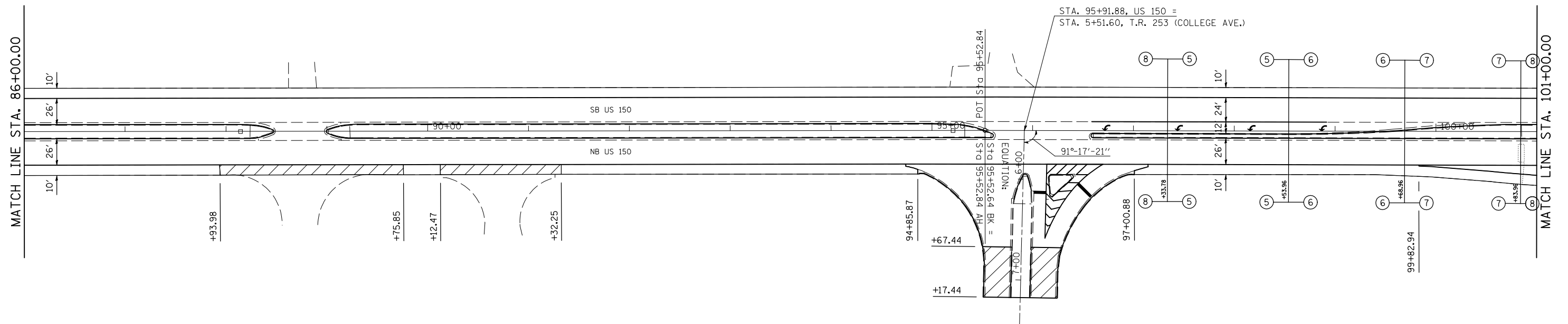


HMA SURF REM-BJ (SEE DESIGN DETAILS)



SEC 36, T24N, R1E, 3PM

PCC SURF REM-BJ (SEE DESIGN DETAILS)



SEC 36, T24N, R1E, 3PM

SEC 25, T24N, R1E, 3PM

FILE NAME =	USER NAME = sherer,jm	DESIGNED -	REVISED -
ct:\pw\work\VPWIDOT\SHERERJM\d0109813\0570768-shr-plan_50.dgn		DRAWN -	REVISED -
	PLOT SCALE = 100.4649' / IN.	CHECKED -	REVISED -
	PLOT DATE = 2/25/2010	DATE -	REVISED -

**STATE OF ILLINOIS  
DEPARTMENT OF TRANSPORTATION**

**US 150 Plan Sheet**

SCALE: 1" = 50'    SHEET NO. 2 OF 8 SHEETS    STA. 71+00.00 TO STA. 101+00.00

F.A.P. RTE.	SECTION	COUNTY	TOTAL SHEETS	SHEET NO.
676	(9-1,9)RS	MCLEAN	81	45
CONTRACT NO. 70768				
ILLINOIS FED. AID PROJECT				

Sheet: 20  
Align: US\_150ALL

Sheet: 20