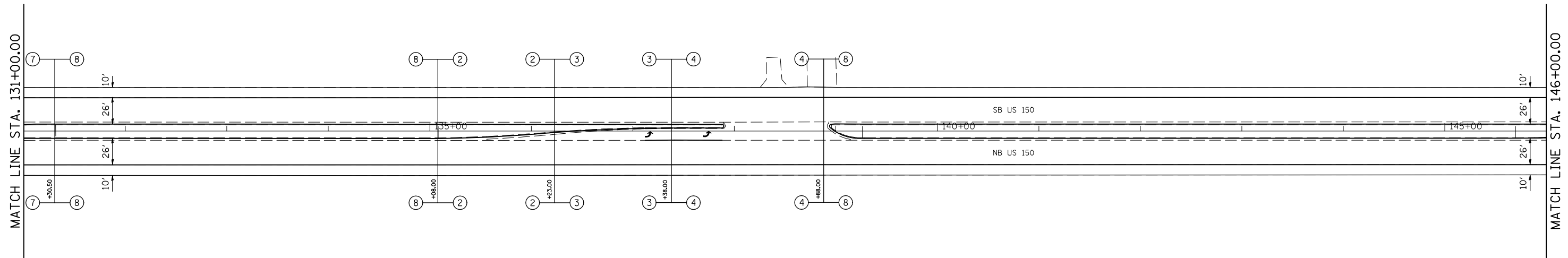


SEC 26, T24N, R1E, 3PM

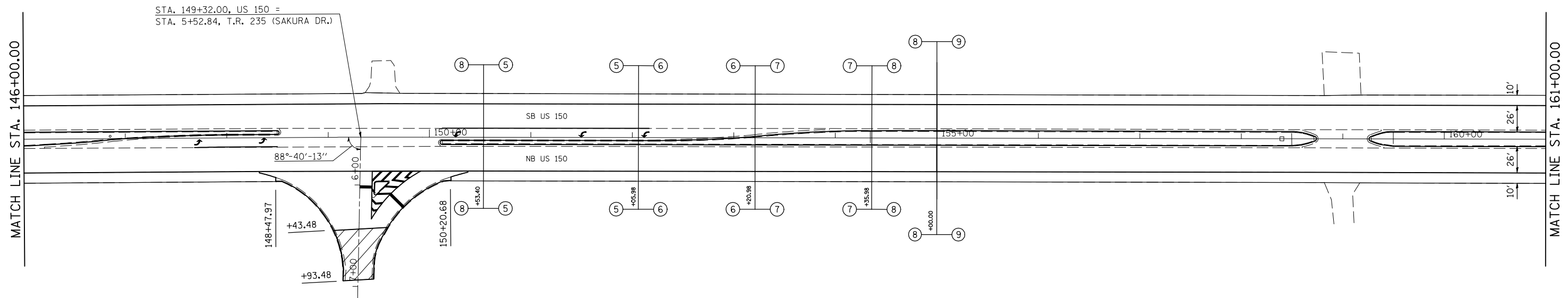


SEC 25, T24N, R1E, 3PM

SEC 26, T24N, R1E, 3PM

PCC SURF REM-BJ (SEE DESIGN DETAILS)

SEC 23, T24N, R1E, 3PM



SEC 25, T24N, R1E, 3PM

SEC 24, T24N, R1E, 3PM

FILE NAME =	USER NAME = sherer_jm	DESIGNED -	REVISED -
ca:\pw_work\VPWIDOT\SHERERJM\0109813\0510768-sht-plan_50.dgn		DRAWN -	REVISED -
		CHECKED -	REVISED -
		DATE -	REVISED -

**STATE OF ILLINOIS
DEPARTMENT OF TRANSPORTATION**

US 150 Plan Sheet

SCALE: 1" = 50' SHEET NO. 4 OF 8 SHEETS STA. 131+00.00 TO STA. 161+00.00

F.A.P. RTE.	SECTION	COUNTY	TOTAL SHEETS	SHEET NO.
676	(9-1,9)RS	MCLEAN	81	47
CONTRACT NO. 70768				
ILLINOIS FED. AID PROJECT				

Sheet: 26 of 9502
Right: US-150A11