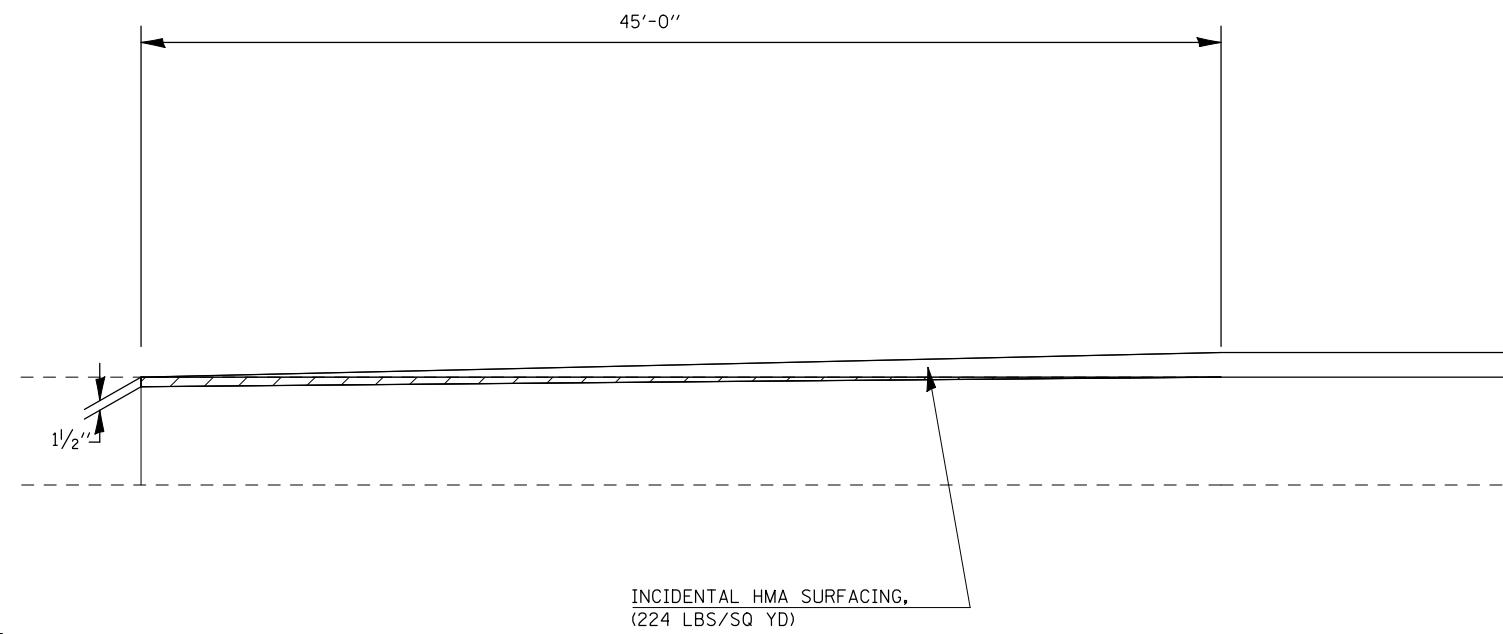
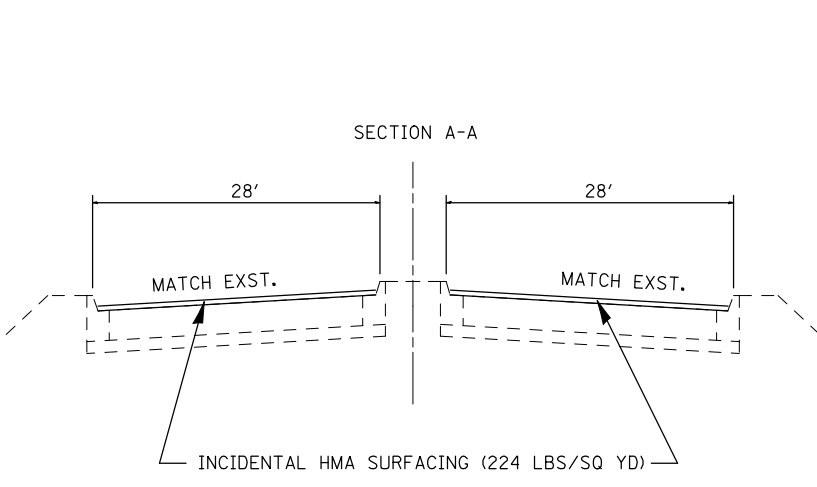
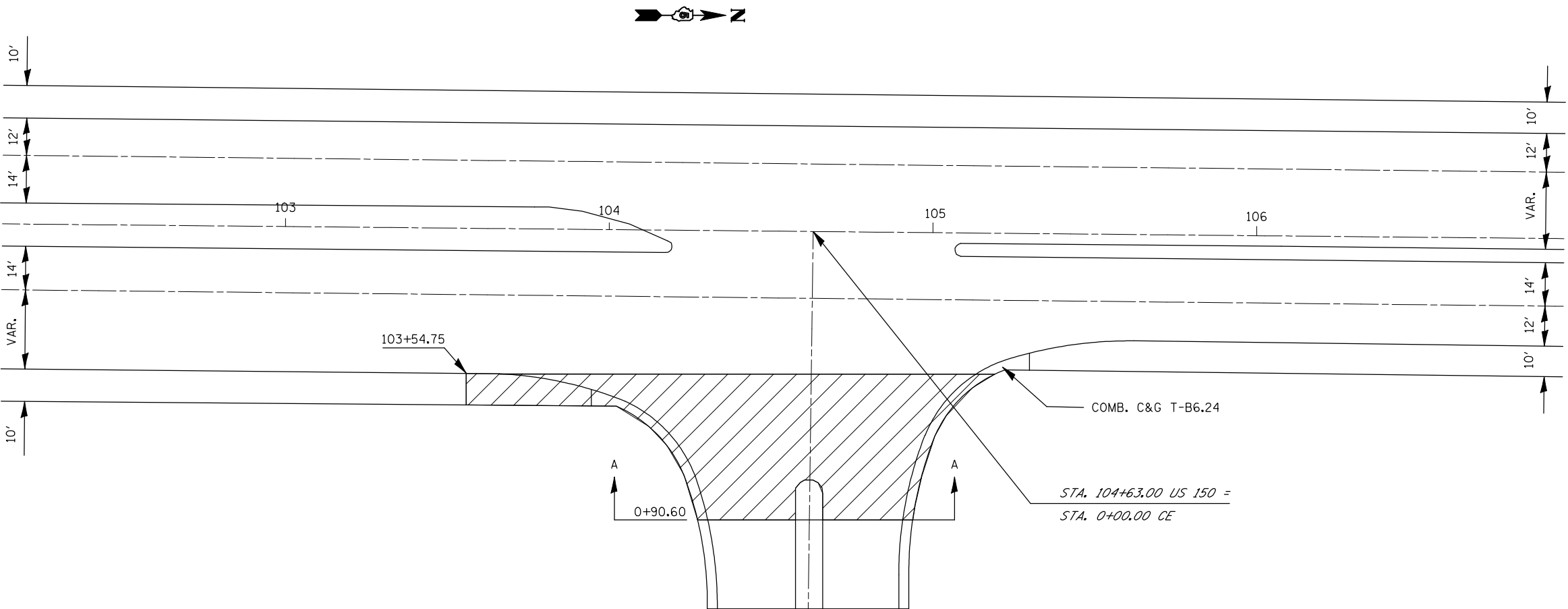


DETAILS FOR P.C.C. BUTT-JOINTS AT MISUBISHI GATE 2



 P.C.C. SURFACE REMOVAL BUTT-JOINT

NOT TO SCALE

FILE NAME =	USER NAME = shererjm	DESIGNED - JMS	REVISED -	STATE OF ILLINOIS DEPARTMENT OF TRANSPORTATION	P.C.C. SURFACE REMOVAL BUTT-JOINT			F.A.P. RTE.	SECTION	COUNTY	TOTAL SHEETS	SHEET NO.
ct:\pw\work\PWIDOT\SHERERJM\d0109813\d570768-shr-detail.dgn		DRAWN - JMS	REVISED -		676	(9-1,9)RS	MCLEAN	81	60			
PLOT SCALE = 40.0000' / IN.		CHECKED -	REVISED -		CONTRACT NO. 70768							
PLOT DATE = 2/24/2010		DATE - 051209	REVISED -		SCALE: NA	SHEET NO. 1 OF 1 SHEETS	STA. TO STA.	FED. ROAD DIST. NO.	ILLINOIS FED. AID PROJECT			