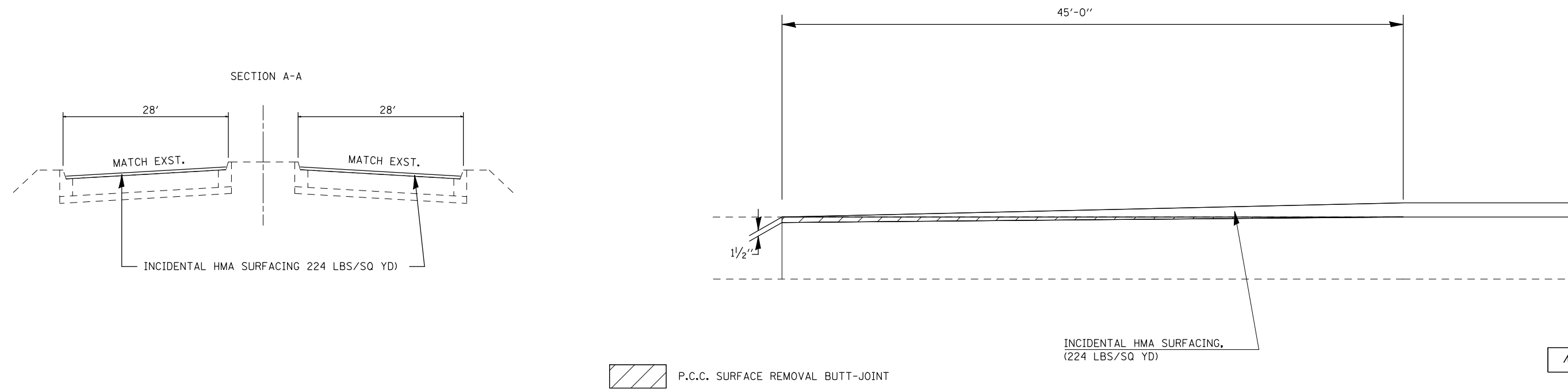
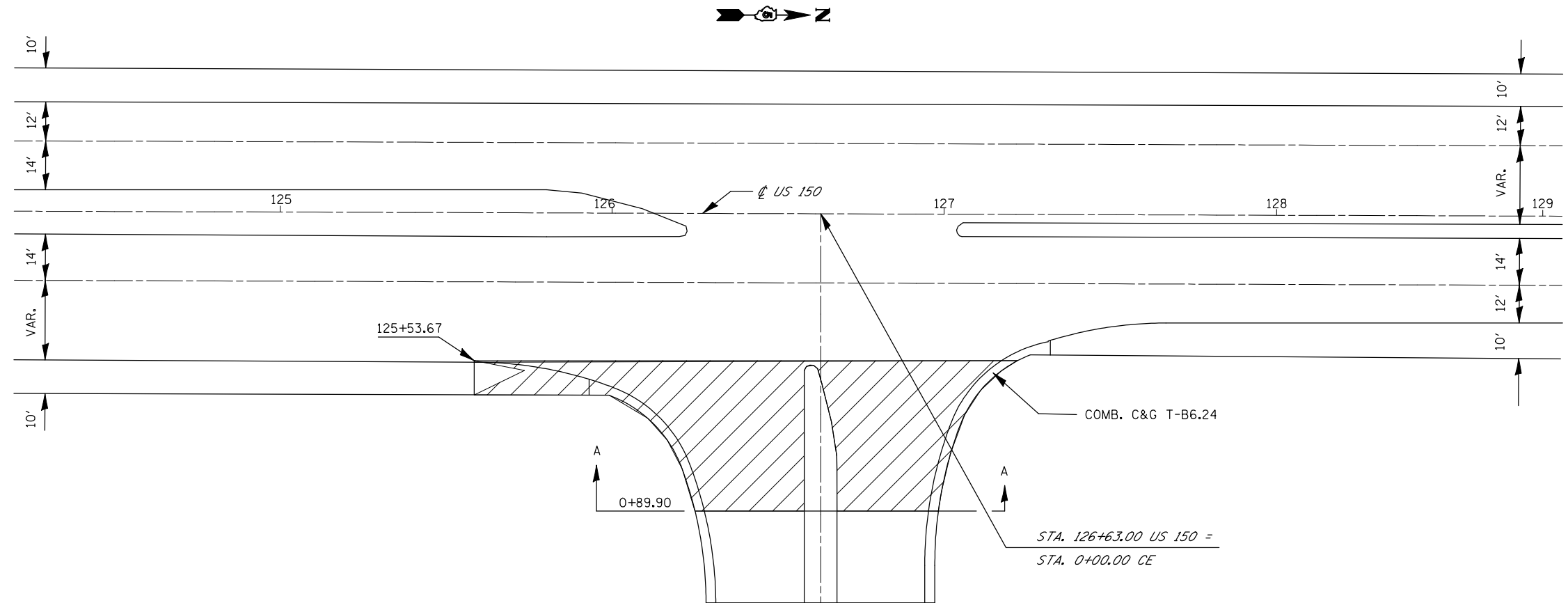


DETAILS FOR P.C.C. BUTT-JOINTS AT MITSUBISHI GATE 1



FILE NAME =	USER NAME = shererjm	DESIGNED - JMS	REVISED -
ct:\pw\work\PWIDOT\SHERERJM\d0109813\d570768-shr-details.dgn		DRAWN - JMS	REVISED -
	PLOT SCALE = 40.0000' / IN.	CHECKED -	REVISED -
	PLOT DATE = 2/24/2010	DATE - 051209	REVISED -

**STATE OF ILLINOIS
DEPARTMENT OF TRANSPORTATION**

P.C.C. SURFACE REMOVAL BUTT-JOINT			
SCALE: NA	SHEET NO. 1 OF 1 SHEETS	STA.	TO STA.

F.A.P. RTE.	SECTION	COUNTY	TOTAL SHEETS	SHEET NO.
676	(9-1,9)RS	MCLEAN	81	61
CONTRACT NO. 70768				
FED. ROAD DIST. NO. ILLINOIS FED. AID PROJECT				