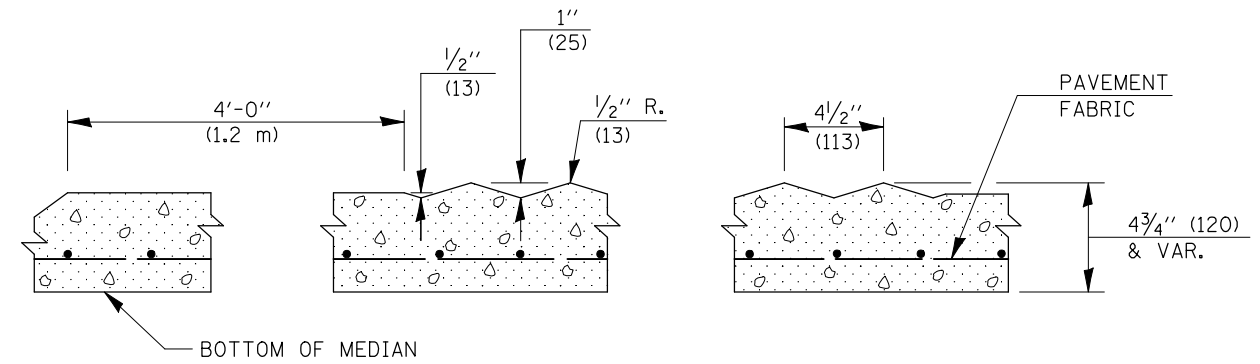


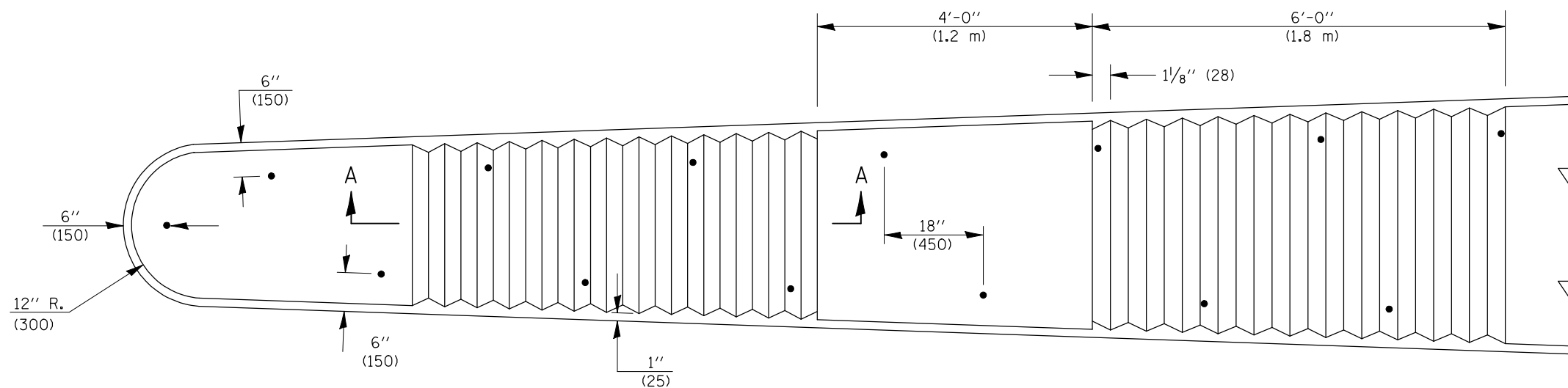
TRANSVERSE SECTION



SECTION A-A

GENERAL NOTES

1. DOWELS AT 3'-0" (900) INTERVALS OR AS DIRECTED BY THE ENGINEER.
2. THE COST OF FURNISHING AND INSTALLING DOWEL BARS AND MORTAR FILLING SHALL BE INCLUDED IN THE CONTRACT UNIT PRICE PER SQ. FT. (m²) FOR CORRUGATED MEDIAN (DOWELED).



PLAN

Note: All dimensions are in INCHES (millimeters) unless otherwise shown.

DISTRICT 5 DETAIL NO. 60624610

FILE NAME =	USER NAME = shererjm	DESIGNED -	REVISED - 11/06
ct:\pw\work\p\WIDOT\SHERERJM\d0109813\d570768-shr-detail.dgn		DRAWN -	REVISED -
	PLOT SCALE = 40.0000' / IN.	CHECKED -	REVISED -
	PLOT DATE = 2/24/2010	DATE -	REVISED -

**STATE OF ILLINOIS
DEPARTMENT OF TRANSPORTATION**

CORRUGATED MEDIAN (DOWELED)

SCALE: SHEET NO. 1 OF 1 SHEETS STA. TO STA.

F.A.P. RTE.	SECTION	COUNTY	TOTAL SHEETS	SHEET NO.
676	(9-1,9)RS	MCLEAN	81	73
CONTRACT NO. 70768				
FED. ROAD DIST. NO. ILLINOIS FED. AID PROJECT				