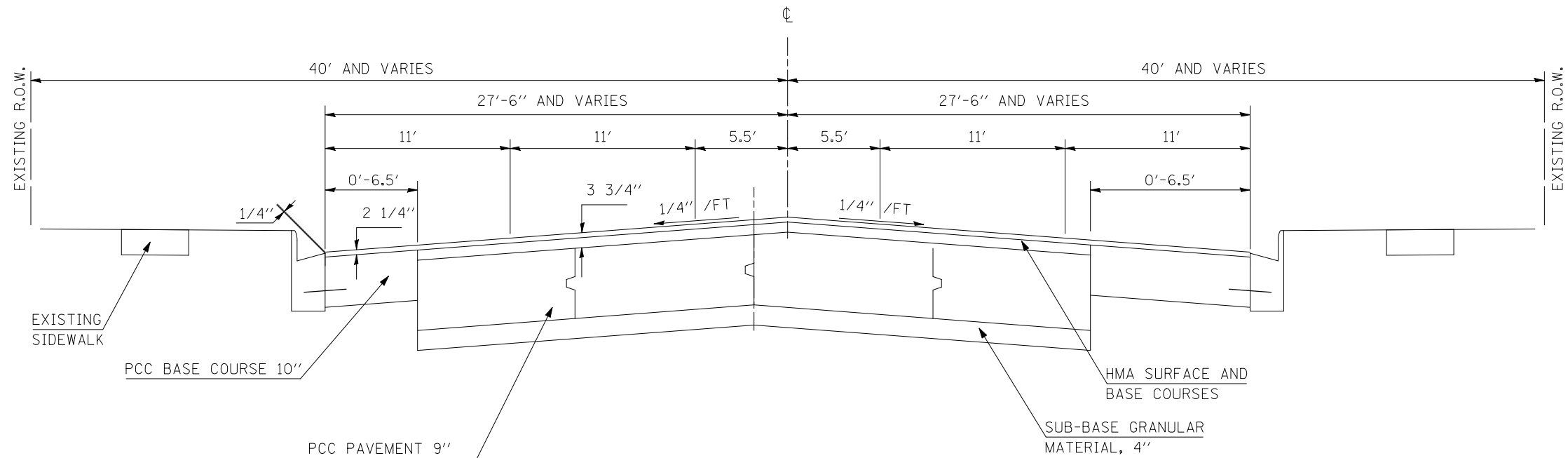


EXISTING TYPICAL SECTION

STA. 1043+49 TO STA. 1048+97.43 (BK)

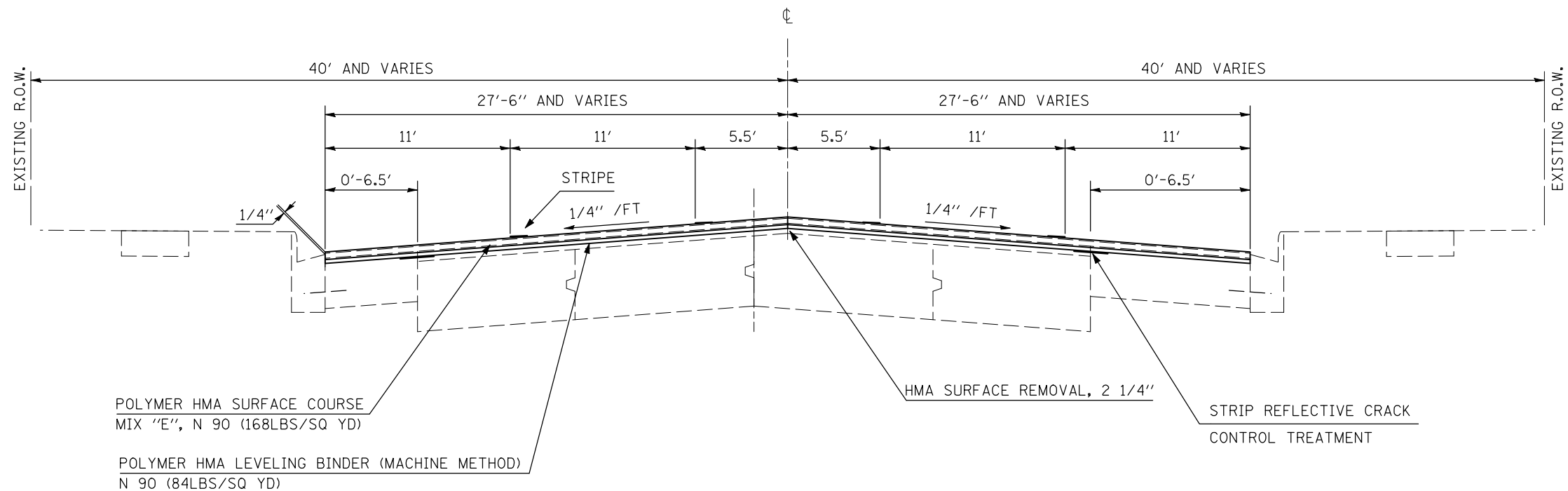
STA. 48+97.72 (AH) TO STA. 53+26.56



PROPOSED TYPICAL SECTION

STA. 1043+49 TO STA. 1048+97.43 (BK)

STA. 48+97.72 (AH) TO STA. 53+26.56



FILE NAME =	USER NAME = bucklesjj	DESIGNED -	REVISED -	STATE OF ILLINOIS DEPARTMENT OF TRANSPORTATION	TYPICAL SECTIONS			F.A.P. RTE.	SECTION	COUNTY	TOTAL SHEETS	SHEET NO.
ct:\pw\work\PWIDOT\BUCKLESJJ\d0184908.D	70784-sht-Typicals.dgn	DRAWN -	REVISED -					332	47RS-5	VERMILION	41	11
	PLOT SCALE = 40.0000' / IN.	CHECKED -	REVISED -		CONTRACT NO. 70784							
	PLOT DATE = 3/15/2010	DATE -	REVISED -		SCALE:	SHEET NO.	OF SHEETS	STA.	TO STA.	ILLINOIS FED. AID PROJECT		