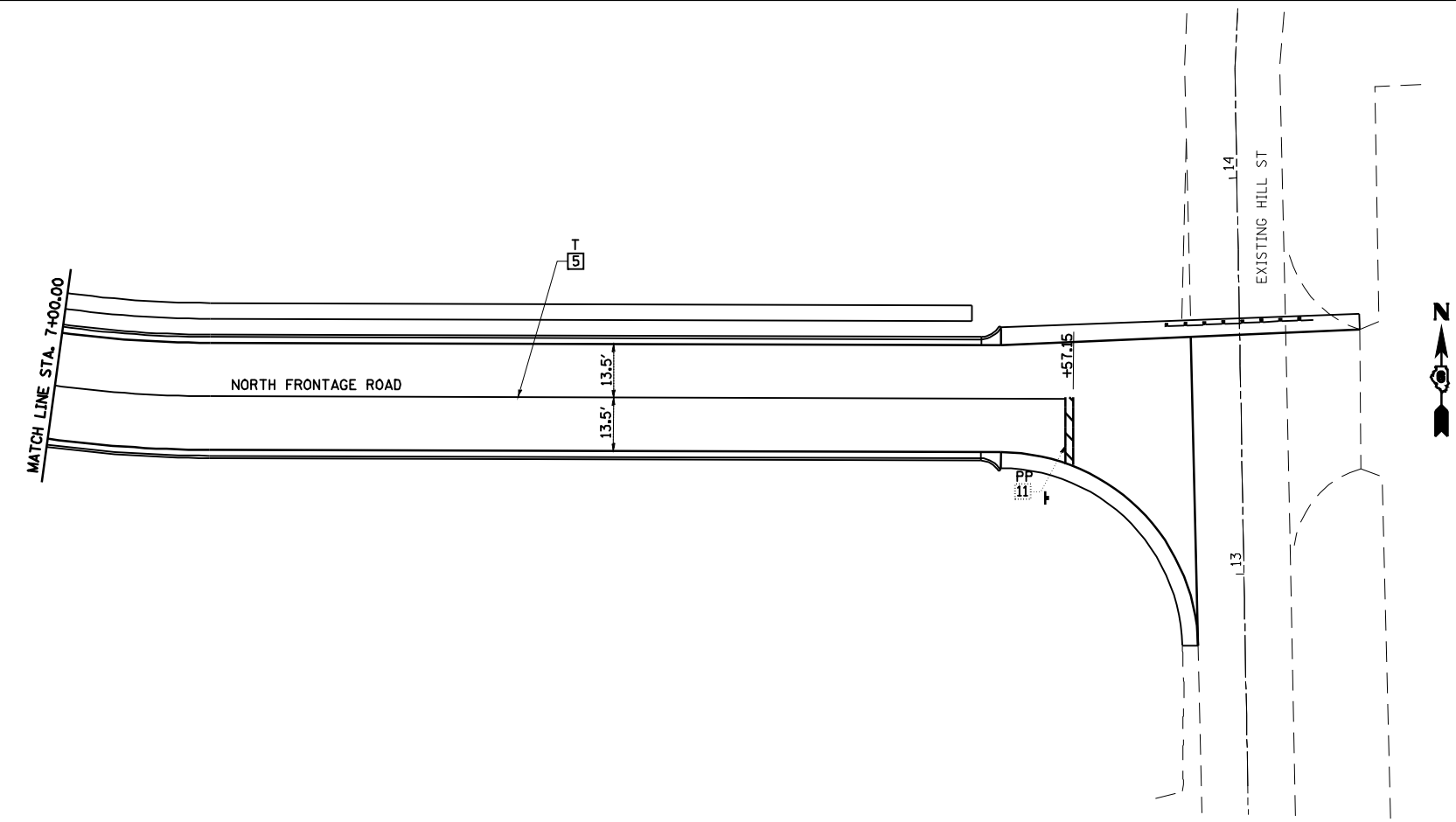
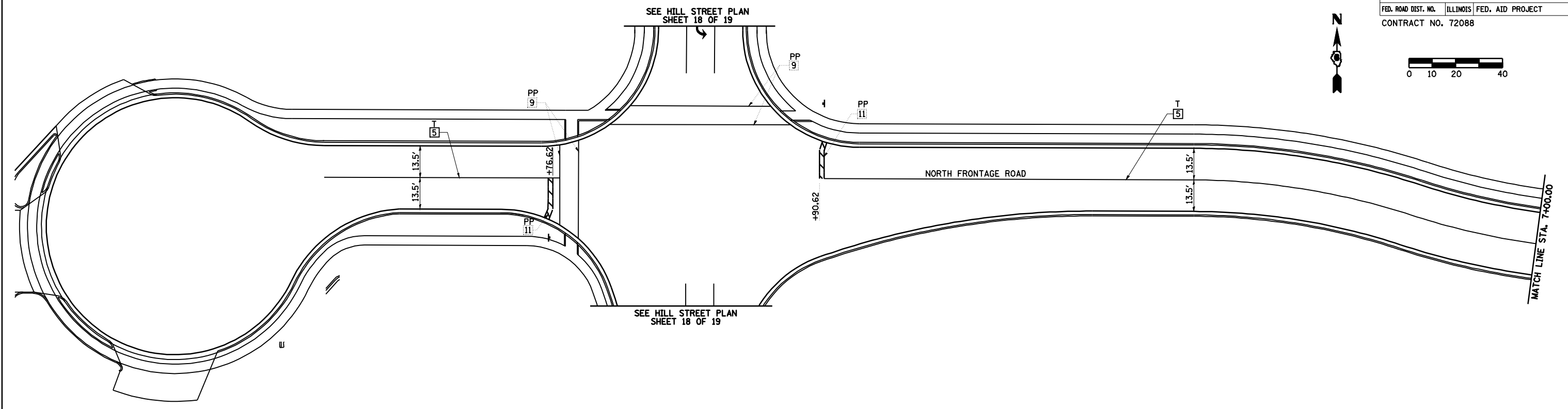
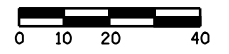


• F.A.P. 72, F.A.P. 67, F.A.P. 75 & F.A.P. 668
 ** D-6 SPFLD-CLRLAKE DIRKSEN 2002

F.A.P. RTE.	SECTION	COUNTY	TOTAL SHEETS	SHEET NO.
•	**	SANGAMON	363	156
STA.		TO STA.		
FED. ROAD DIST. NO.	ILLINOIS	FED. AID PROJECT		
CONTRACT NO. 72088				



LEGEND

- RAISED REFL PAVT MKR AMBER BIDIRECTIONAL
- RAISED REFL PAVT MKR AMBER MONODIRECTIONAL
- RAISED REFL PAVT MKR CRYSTAL MONODIRECTIONAL
- PRISMATIC CURB REFLECTOR AMBER BIDIRECTIONAL
- PRISMATIC CURB REFLECTOR AMBER MONODIRECTIONAL
- PRISMATIC CURB REFLECTOR CRYSTAL MONODIRECTIONAL
- EXISTING PAVEMENT MARKING
- ITEM [4] DOUBLE YELLOW (NARROW)
- ITEM [5] DOUBLE YELLOW (WIDE)
- 6' TYP
- 2' TYP
- 10' TYP
- 30' TYP
- 10' TYP

TYPICAL PAVEMENT MARKING LEGEND

- [1] 5" SKIP-DASH YELLOW
- [2] 5" SOLID YELLOW
- [3] 12" DIAGONAL YELLOW
- [4] 5" DOUBLE YELLOW NARROW
- [5] 5" DOUBLE YELLOW WIDE
- [6] 5" SKIP-DASH WHITE
- [7] 6" SKIP-DASH WHITE
- [8] 5" SOLID WHITE
- [9] 6" SOLID WHITE
- [10] 8" SOLID WHITE
- [11] 24" STOP BAR WHITE
- [12] 12" DIAGONAL WHITE
- U - URETHANE
- PP - PREFORMED PLASTIC, TYPE B
- T - THERMOPLASTIC
- P - PAINT
- ALL TRAFFIC ARROWS ARE "PP"

SEE STANDARDS 780001 & 781001 AND DISTRICT PAVEMENT MARKING DETAILS FOR ADDITIONAL DETAILS FOR PAVEMENT MARKING AND RAISED REFLECTIVE PAVEMENT MARKERS.

SHEET 15 OF 19

REVISIONS	
NAME	DATE

ILLINOIS DEPARTMENT OF TRANSPORTATION

**PAVEMENT MARKING PLAN
NORTH FRONTAGE ROAD**

SCALE: VERT. _____
 HORIZ. _____
 DATE 08/05

DRAWN BY MLO
 CHECKED BY SJK