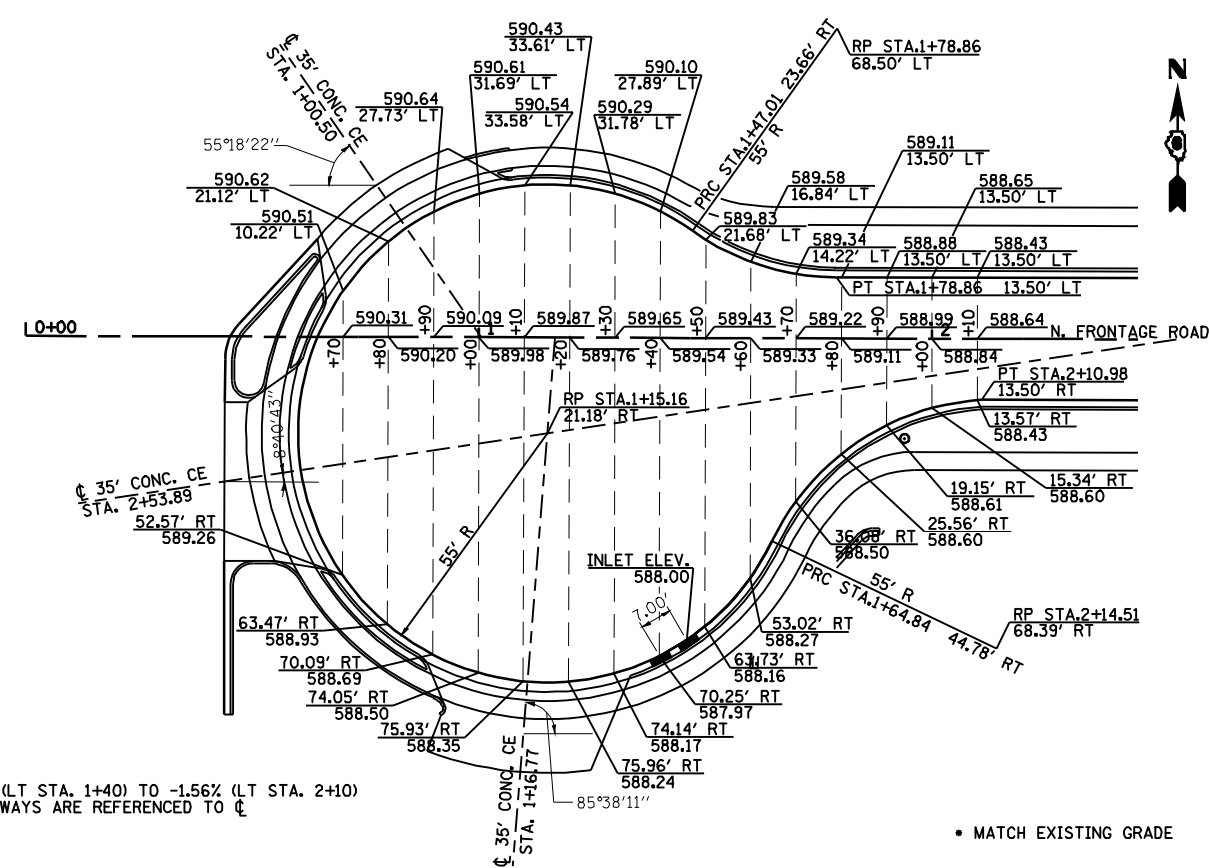
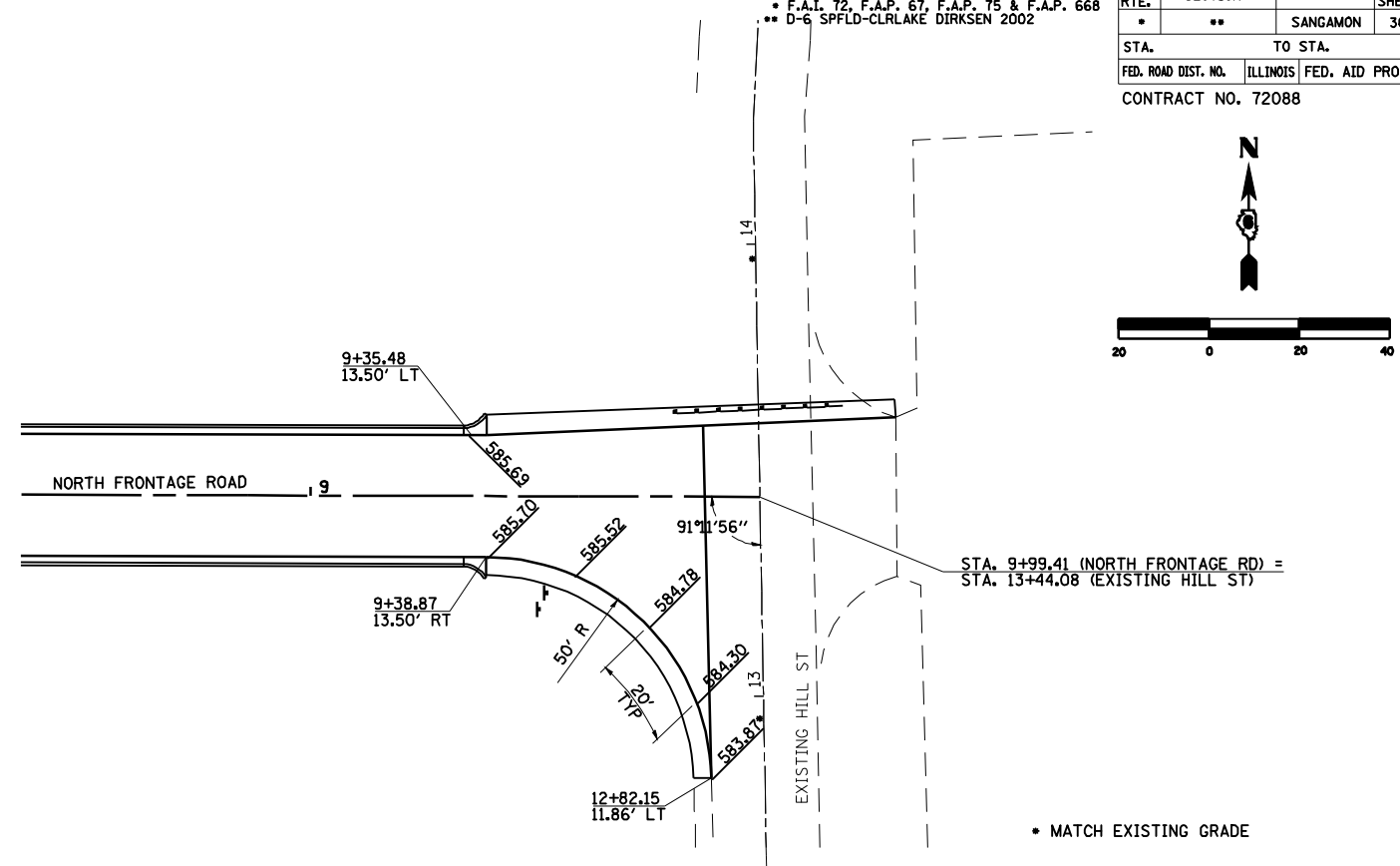


F.A.P. RTE.	SECTION	COUNTY	TOTAL SHEETS	SHEET NO.
*	**	SANGAMON	363	175
STA.		TO STA.		
FED. ROAD DIST. NO.		ILLINOIS	FED. AID PROJECT	
CONTRACT NO. 72088				



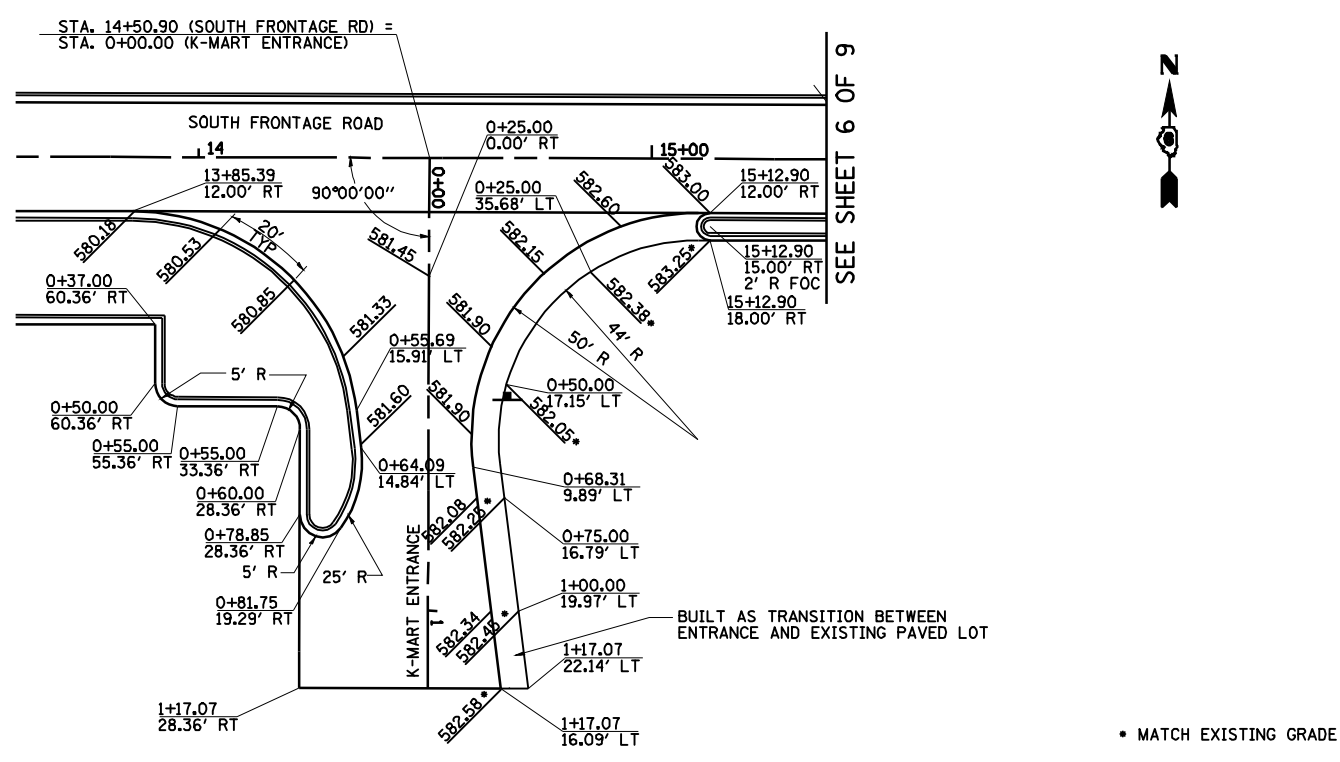
NOTES:
 1.) TRANSITION FROM +2.00% (LT STA. 1+40) TO -1.56% (LT STA. 2+10)
 2.) ANGLES SHOWN FOR DRIVEWAYS ARE REFERENCED TO C

NORTH FRONTAGE RD - ARROW TRUCKING ENTRANCE



• MATCH EXISTING GRADE

NORTH FRONTAGE RD - EXISTING HILL ST



SOUTH FRONTAGE RD - K-MART ENTRANCE

LEGEND

XXX.XX PROPOSED FINISHED ELEVATION

REVISIONS	
NAME	DATE
TJH	11/14/07

SHEET 9 OF 9
 ILLINOIS DEPARTMENT OF TRANSPORTATION
INTERSECTION GEOMETRICS
 SCALE: 1"=20'
 DATE 7/13/05
 DRAWN BY NJV
 CHECKED BY RMD