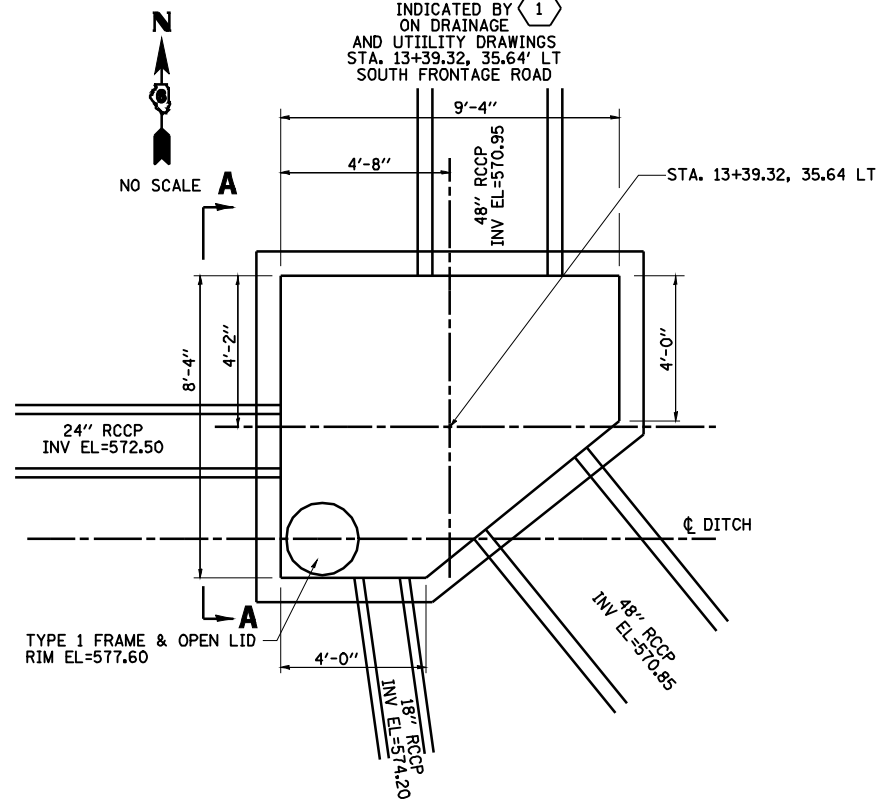


F.A.P. RTE.	SECTION	COUNTY	TOTAL SHEETS	SHEET NO.
*	**	SANGAMON	363	214
STA.		TO STA.		
FED. ROAD DIST. NO.	ILLINOIS	FED. AID PROJECT		
CONTRACT NO. 72088				

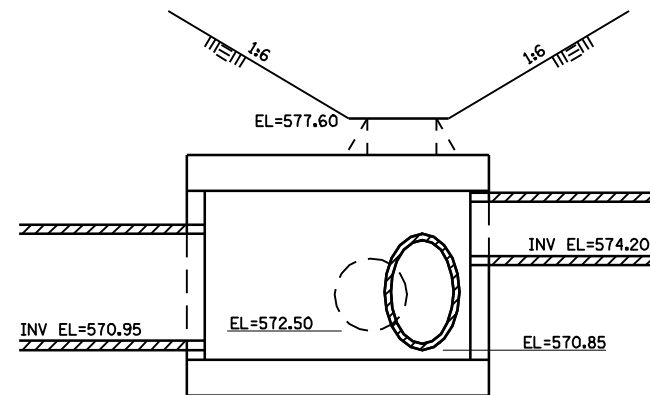
### INLET BOX, SPECIAL NO. 1

INDICATED BY 1 ON DRAINAGE AND UTILITY DRAWINGS STA. 13+39.32, 35.64' LT SOUTH FRONTAGE ROAD

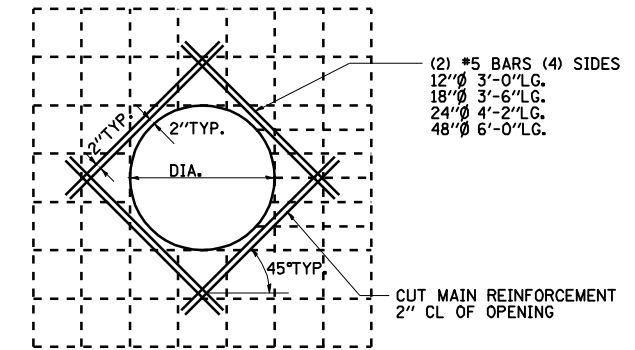


### PLAN VIEW

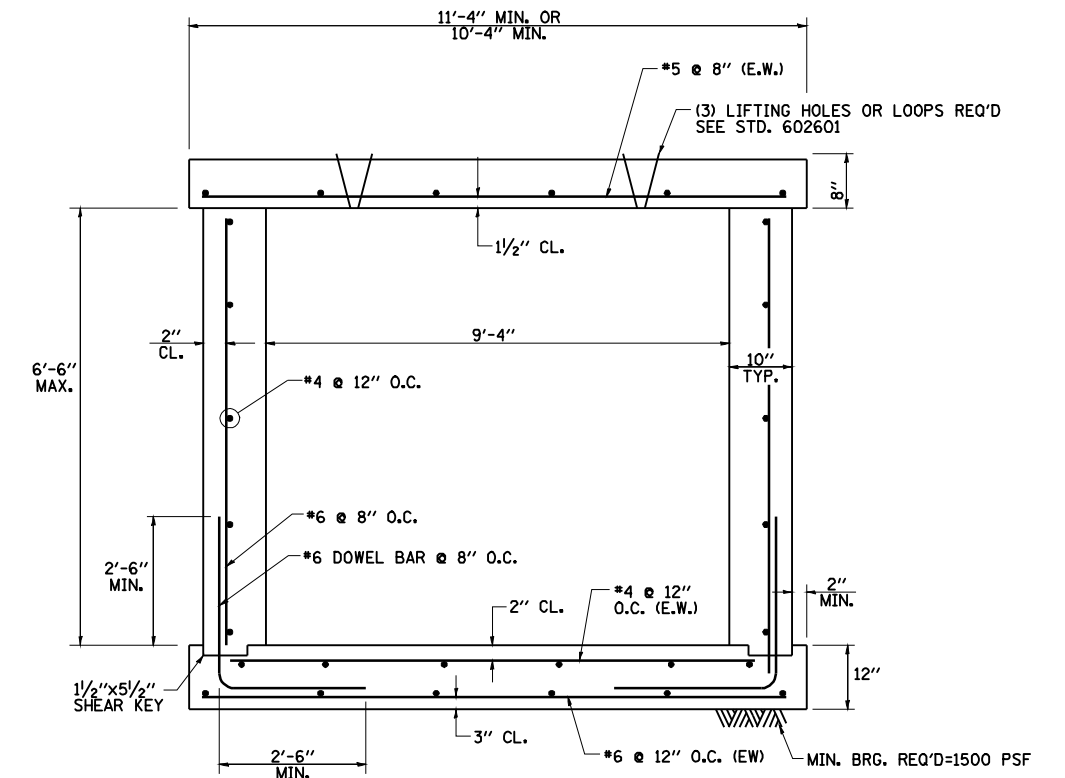
NOTE: SEE TYPICAL OPENING AND STRUCTURE DETAILS FOR REINFORCEMENT AND THICKNESSES.



### SECTION A-A (LOOKING EAST)



### TYPICAL OPENING DETAIL



### TYPICAL STRUCTURE DETAIL

REVISIONS	
NAME	DATE

ILLINOIS DEPARTMENT OF TRANSPORTATION

### DRAINAGE STRUCTURE DETAILS

SCALE: NONE  
 DATE 02/06

DRAWN BY MLO  
 CHECKED BY CWG